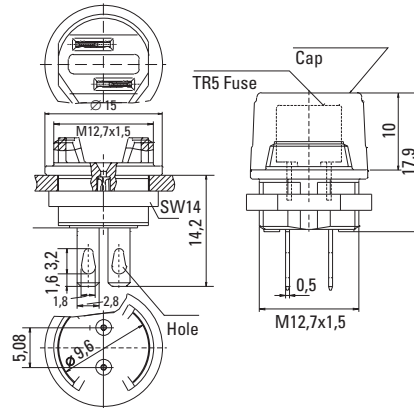
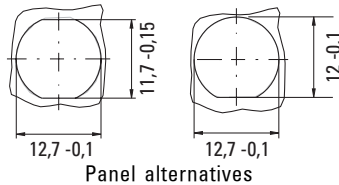


Holder / No. 570

Panel Mount, for TR5®/TE5® Fuses



Specifications

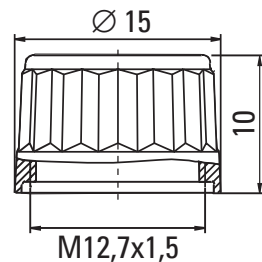
- Packaging**
000 bulk (100 pcs.)
- Order Number**
Holder No. 570 0000 000
- Mounting**
12.7mm diameter D-hole or double D-hole
Admissible torque on plastic hex nut is 1.2Nm
- Terminals**
Solderable or 2.8mm quick connect-fits 0.5mm tab
- Materials**
Holder: Black Thermoplastic, UL 94 V-0
Polyamide PA 6.6
Metal parts: Copper alloy
Solderable tinned
- Electrical Data (23°C/without Cap)**
Rated Voltage: 250V
Max. Current/Power: 6.3A/2.5W
- Minimum Cross Section**
Conductor - 2.5mm²
- Unit Weight**
2.2g

Order Information

Qty.	Order-Number	Series	Packaging
		570	0000 000

Specifications are subject to change without notice

Cap / No. 575



- Packaging**
000 bulk (100 pcs.)
- Order Number**
Cap No. 575 0000 000
- Plastic Cap**
Use with No. 570 or No. 571
- Materials**
Cap: Transparent Thermoplastic
Polycarbonat PC, UL94 V-0
- Unit Weight**
0.94g

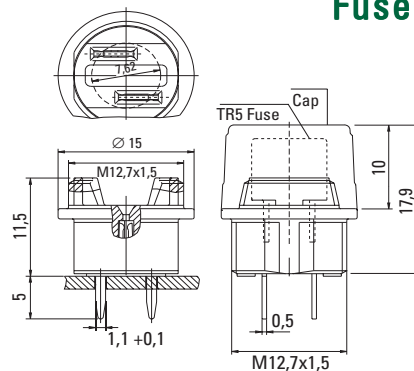
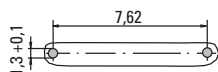
Order Information

Qty.	Order-Number	Series	Packaging
		575	0000 000

Specifications are subject to change without notice

Holder / No. 571

PC Mount, for TR5®/TE5® Fuses



- Packaging**
000 bulk (100 pcs.)
- Order Number**
Holder No. 571 0000 000
- Mounting**
PC Board, 7.62mm hole spacing
- Materials**
Holder: Black Thermoplastic, UL94 V-0
Polyamide PA 6.6
Metal parts: Copper alloy
Solderable, tinned
- Electrical Data (23°C/without Cap)**
Rated Voltage: 250V
Max. Current/Power: 6.3A/2.5W
- Minimum Cross Section**
Conducting path - 0.2mm²
- Unit Weight**
1.6g

Order Information

Qty.	Order-Number	Series	Packaging
		571	0000 000

Specifications are subject to change without notice

Note: 1.00 means the number one with two decimal places. 1,000 means the number one thousand.