

### Catalog Number BG Series and G Series

#### CLASS G FUSEBLOCKS:

**BG Series and G Series:** For use with Class G Fuses (Edison SEC)

**Construction:** (0-30) Thermoplastic  
(35-60) Phenolic

**Ampere Ratings:** 1-30 Amps  
UL Recognized, Guide IZLT2, File E14853  
35-60 Amps  
UL Recognized, Guide IZLT, File E14853

**Voltage Ratings:** 480 Volts AC, 15 - 60 Amps

#### Agency Approvals:

CSA, Class 6225-01, File 47235

#### Catalog Data (480V)

| Amps     | Poles | Terminal Type            |                                |         |                | Fig. No. |
|----------|-------|--------------------------|--------------------------------|---------|----------------|----------|
|          |       | Screw with Quick-Connect | Pressure Plate w/Quick Connect | Box Lug | Box Lug w/Clip |          |
| 1 to 15  | 1     | BG3011SQ                 | BG3011PQ                       | BG3011B | —              | 1        |
|          | 2     | BG3012SQ                 | BG3012PQ                       | BG3012B | —              | 2        |
|          | 3     | BG3013SQ                 | BG3013PQ                       | BG3013B | —              | 3        |
| 20 to 25 | 1     | BG3021SQ                 | BG3021PQ                       | BG3021B | —              | 1        |
|          | 2     | BG3022SQ                 | BG3022PQ                       | BG3022B | —              | 2        |
|          | 3     | BG3023SQ                 | BG3023PQ                       | BG3023B | —              | 3        |
| 30 to 35 | 1     | BG3031S                  | BG3031P                        | BG3031B | —              | 1        |
|          | 2     | BG3032S                  | BG3032P                        | BG3032B | —              | 2        |
|          | 3     | BG3033S                  | BG3033P                        | BG3033B | —              | 3        |
| 60       | 1     | —                        | —                              | —       | G30060-1CR     | 4        |
|          | 2     | —                        | —                              | —       | G30060-2CR     | 4        |
|          | 3     | —                        | —                              | —       | G30060-3CR     | 5        |

#### Dimensional Data

##### 1 to 30A

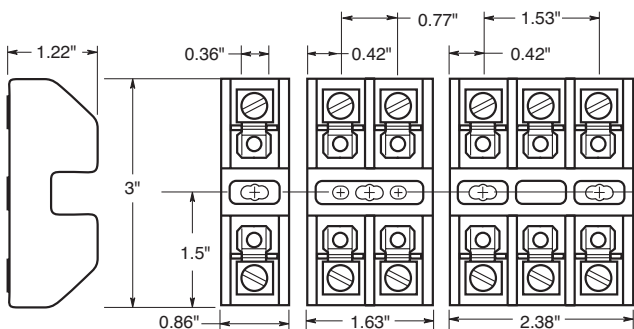


Figure 1. Figure 2. Figure 3.

#### Dimensional Data

##### 35 to 60A

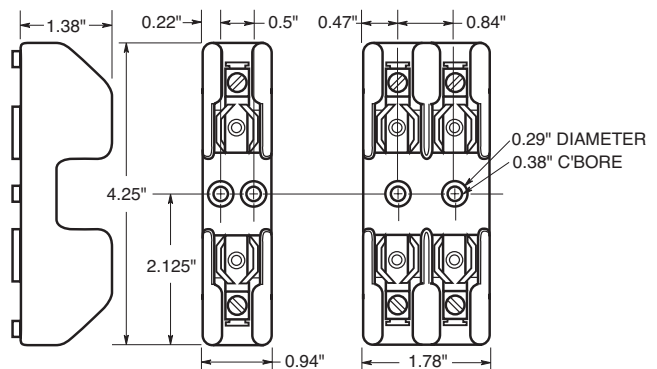


Figure 4.

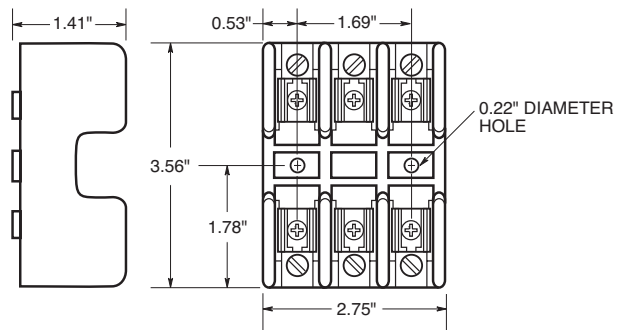


Figure 5.

#### CROSS REFERENCE

| EDISON     | BUSSMANN   | GOULD | LITTELFUSE  |
|------------|------------|-------|-------------|
| BG3011SQ   | BG3011SQ   | NONE  | LG30015-1SQ |
| BG3012SQ   | BG3012SQ   | NONE  | LG30015-2SQ |
| BG3013SQ   | BG3013SQ   | NONE  | LG30015-3SQ |
| BG3021SQ   | BG3021SQ   | NONE  | LG30020-1SQ |
| BG3022SQ   | BG3022SQ   | NONE  | LG30020-2SQ |
| BG3023SQ   | BG3023SQ   | NONE  | LG30020-3SQ |
| BG3031S    | BG3031S    | NONE  | LG30030-1SQ |
| BG3032S    | BG3032S    | NONE  | LG30030-2SQ |
| BG3033S    | BG3033S    | NONE  | LG30030-3SQ |
| BG3011PQ   | BG3011PQ   | NONE  | NONE        |
| BG3012PQ   | BG3012PQ   | NONE  | NONE        |
| BG3013PQ   | BG3013PQ   | NONE  | NONE        |
| BG3021PQ   | BG3021PQ   | NONE  | NONE        |
| BG3022PQ   | BG3022PQ   | NONE  | NONE        |
| BG3023PQ   | BG3023PQ   | NONE  | NONE        |
| BG3031P    | BG3031P    | NONE  | LG30030-1PQ |
| BG3032SP   | BG3032SP   | NONE  | LG30030-2PQ |
| BG3033P    | BG3033P    | NONE  | LG30030-3PQ |
| BG3011B    | BG3011B    | NONE  | NONE        |
| BG3012B    | BG3012B    | NONE  | NONE        |
| BG3013B    | BG3013B    | NONE  | NONE        |
| BG3021B    | BG3021B    | NONE  | NONE        |
| BG3022B    | BG3022B    | NONE  | NONE        |
| BG3023B    | BG3023B    | NONE  | NONE        |
| BG3031B    | BG3031B    | NONE  | NONE        |
| BG3032B    | BG3032B    | NONE  | NONE        |
| BG3033B    | BG3033B    | NONE  | NONE        |
| G30060-1CR | G30060-1CR | NONE  | LG30060-1CR |
| G30060-2CR | G30060-2CR | NONE  | LG30060-2CR |
| G30060-3CR | G30060-3CR | NONE  | LG30060-3CR |