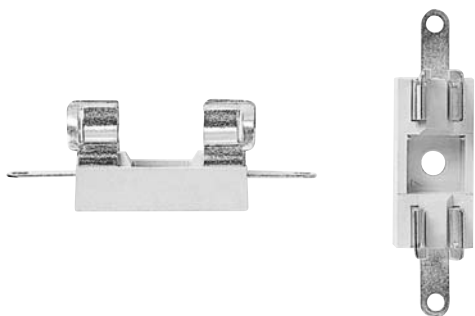


Fuseblock

For 5 x 20mm Fuses

HTC-10M



Catalog Symbol: HTC-10M

Voltage Rating: 250 Volts

Ampere Rating: 6.3 Amperes

Base Material: Beige polyphenylene oxide

Flammability: UL 94-V1

Glow Wire Test: 960°C per IEC 695-2-1

Terminals: Tin-plated brass

Agency Approvals:

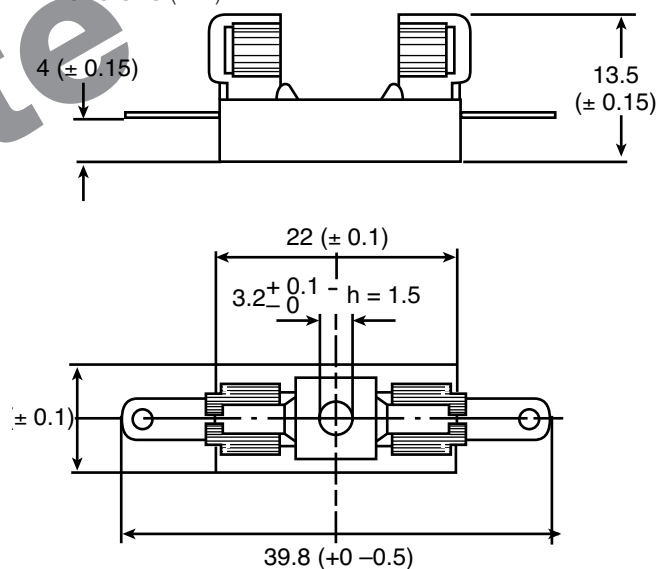
UL Recognized, File No. E19180

Contact Resistance: ≤ 10 Mohms

Insulation Resistance: ≥ 10 Mohms

Dielectric Strength: ≥ 2500 V

Dimensions (mm)



The only controlled copy of this BIF document is the electronic read-only version located on the Bussmann Network Drive. All other copies of this BIF document are by definition uncontrolled. This bulletin is intended to clearly present comprehensive product data and provide technical information that will help the end user with design applications. Bussmann reserves the right, without notice, to change design or construction of any products and to discontinue or limit distribution of any products. Bussmann also reserves the right to change or update, without notice, any technical information contained in this bulletin. Once a product has been selected, it should be tested by the user in all possible applications.

COOPER Bussmann

0809

BU-SB09722

Rev. A

Form No. HTC-10M

Page 1 of 1

BIF Doc #2139