

# Class J Fuseblocks

## 600 Volt, 1/2-600 Amps

# J600 Series



Catalog Symbol: J600 Series  
 Ampere Rating: 1/2-600A  
 Voltage Rating: 600V  
 Withstand Rating: 200,000 RMS Sym. Amps  
 For use with Class J Fuses (Bussmann LPJ, JKS)  
 Agency Information:  
 UL Listed, UL 512, Guide IZLT, File E14853  
 CSA Certified, C22.2 No. 39, Class 6225-01, File 47235  
 UL Flammability: 94VO  
 Materials: Thermoplastic

### Standard J Fuseblocks (600V) Catalog Data

Amps	Poles	Catalog Numbers					Fig. No.	Wire Range
		Screw†	Pressure Plate†	Box Lug	Box Lug w/ Retaining Clip			
1/2-30	1	J60030-1S <sup>(2)</sup>	J60030-1P	J60030-1C	J60030-1CR††	1	C, CR #2-14 CU, #2-8 AL	
	2	J60030-2S <sup>(2)</sup>	J60030-2P	J60030-2C	J60030-2CR††	2	COR #2-14 CU ONLY	
	3	J60030-3S <sup>(2)</sup>	J60030-3P	J60030-3C	J60030-3CR††	3	P, PR, S, SR #10-14 CU ONLY	
31-60	1	—	—	J60060-1C	J60060-1CR††	1	C, CR, #2-14 CU/AL	
	2	—	—	J60060-2C	J60060-2CR††	2	COR #4-14 CU ONLY	
	3	—	—	J60060-3C	J60060-3CR††	3		
61-100	1	—	—	—	J60100-1CR	4	COR 1/0-8 CU ONLY	
	3	—	—	—	J60100-3CR††	5	CR, CRQ 1/0-8 CU/AL	
101-200	1	—	—	—	J60200-1CR	6	CR 250kcmil-6 CU/AL	
	3	—	—	—	J60200-3CR	7		
201-400	1	—	—	—	J60400-1CR <sup>(3)</sup>	8	CR 500kcmil -4 CU/AL	
	3	—	—	—	J60400-3CR <sup>(3)</sup>	9		
401-600	1	—	—	—	J60600-1CR	10	CR (2) 500kcmil-4/0 CU/AL	
	3	—	—	—	J60600-3CR <sup>(2)</sup>	11		

†Clip reinforcing springs are standard on fuseblocks rated 100A and above. Available on 30A and 60A blocks by adding the letter "R" to the end of the part number.  
 ††Copper only connections available by changing "CR" suffix to "COR".  
 (2)No UL, No CSA Certification  
 (3)UL Recognized, CSA Certification

### Dimensional Data All dimensions (±0.015)

#### 1/2-60A

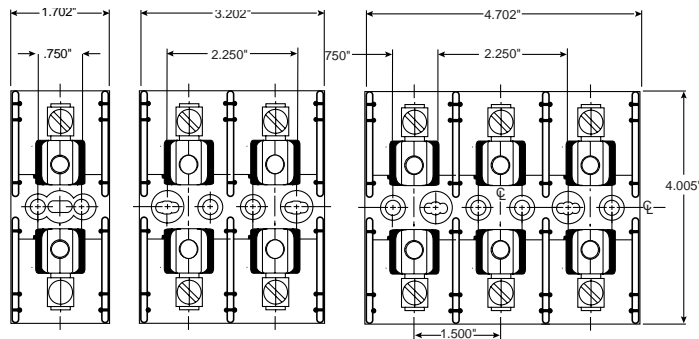


FIGURE 1.

FIGURE 2.

FIGURE 3.

#### 61-100A

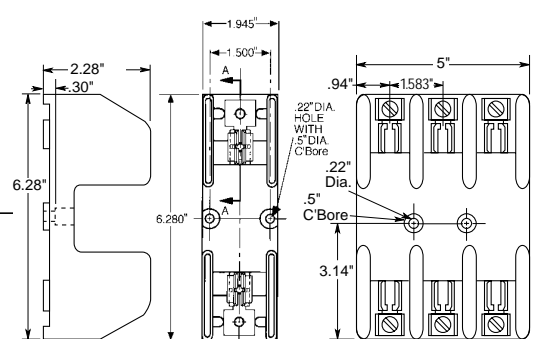


FIGURE 4.

FIGURE 5.

CE CE logo denotes compliance with European Union Low Voltage Directive (50-1000Vac, 75-1500Vdc). Refer to Data Sheet: 8002 or contact Bussmann Application Engineering at 636-527-1270 for more information.

# Class J Fuseblocks

## 600 Volt, 1/2-600 Amps

# J600 Series

101-200A

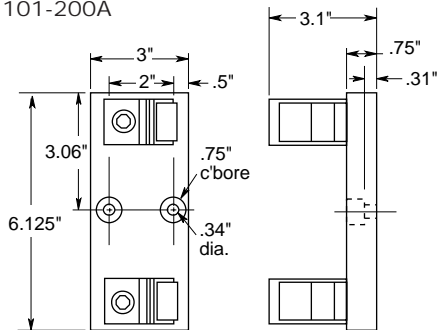


FIGURE 6.

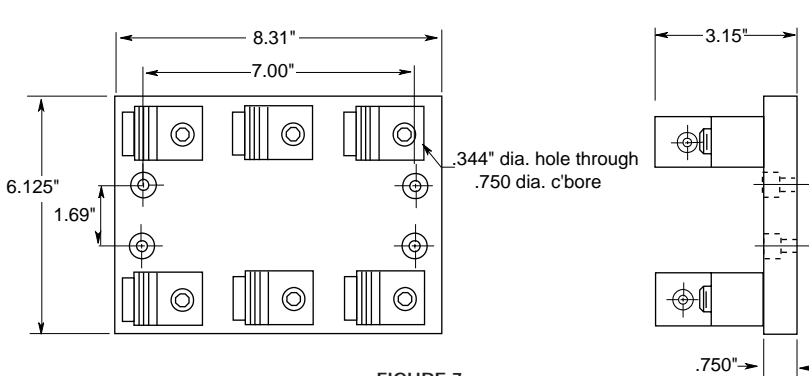


FIGURE 7.

201-400A

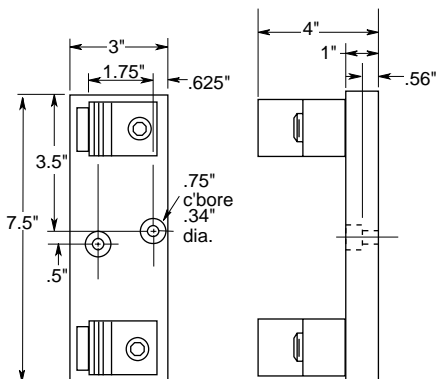


FIGURE 8.

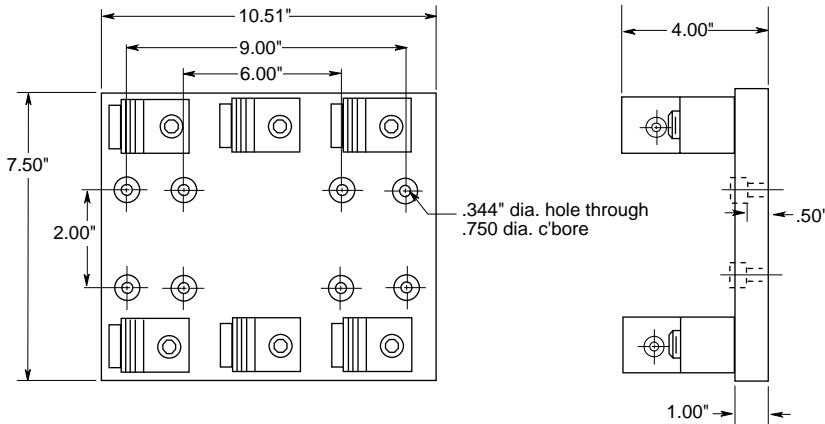


FIGURE 9.

401-600A

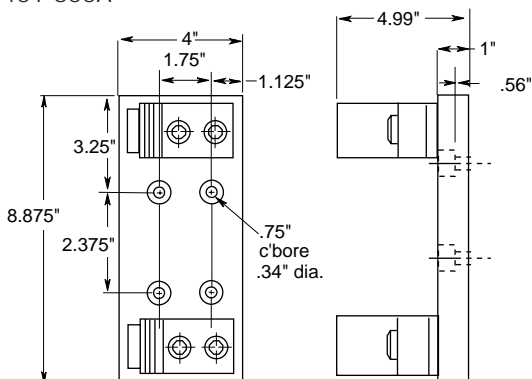


FIGURE 10.

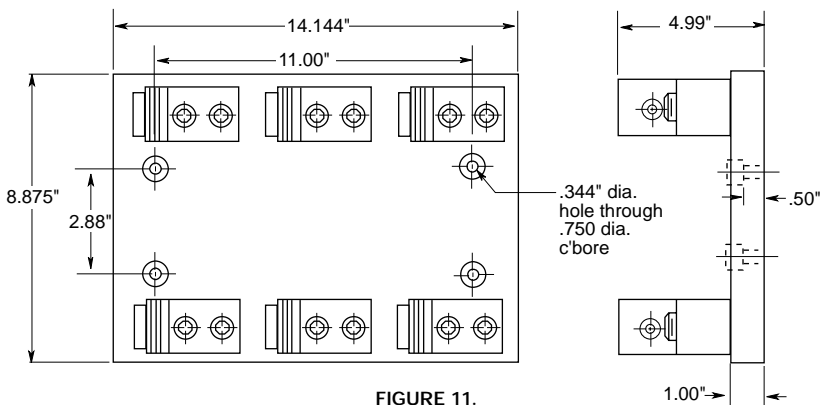


FIGURE 11.

All dimensions (±0.015)

The only controlled copy of this Data Sheet is the electronic read-only version located on the Bussmann Network Drive. All other copies of this BIF document are by definition uncontrolled. This bulletin is intended to clearly present comprehensive product data and provide technical information that will help the end user with design applications. Bussmann reserves the right, without notice, to change design or construction of any products and to discontinue or limit distribution of any products. Bussmann also reserves the right to change or update, without notice, any technical information contained in this bulletin. Once a product has been selected, it should be tested by the user in all possible applications.