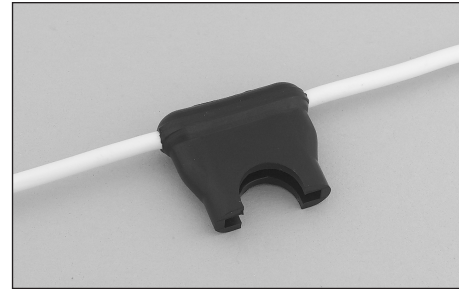


### Description

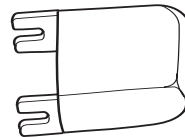
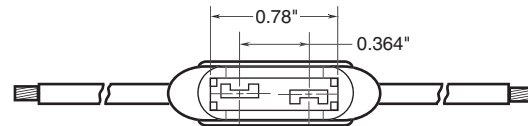
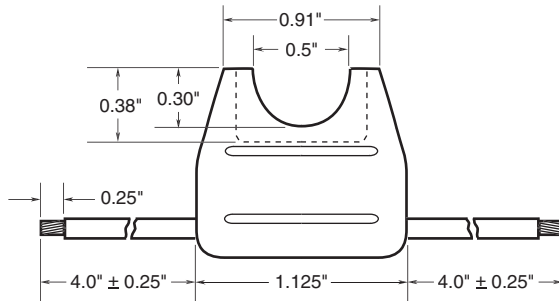
- In-Line Fuseholders
- Voltage Rating: 32Vdc maximum
- Current Rating: See Table

### Ordering

- Specify packaging and product code



### Dimensional Data



Cover for HHD Fuseholder  
Catalog Symbol: HHD-C

Electrical Ratings				
Catalog Code	Description	Fuse Size	Electrical Connection	Maximum Continuous Current Rating
HHC	Yellow fuseholder	3-20A	#16 black leadwire	16A*
HHD	Black fuseholder	3-30A	#12 yellow leadwire	24A*
HHD-C	Cover only	Fits HHD only	Clear polycarbonate	
HHF	Black fuseholder	3-20A	#16 yellow leadwire	16A*
HHG	Black fuseholder w/ cover	3-30A	#12 yellow leadwire	24A*

- \* or 80% of fuse rating, whichever is less.
- For ATC® blade-type fuses.
- "Write-in" space for circuit identification on HHC holders (bright yellow)

Bulk Products (Bulk Quantity - 1000 Pieces)				
Catalog Code	Description	Fuse Size	Electrical Connection	Maximum Continuous Current Rating
BK/HHC-R	Yellow fuseholder	3-20A	#16 red leadwire	16A*
BK/HHF-B	Black fuseholder w/ cover	3-20A	#16 black leadwire	16A*

- \* or 80% of fuse rating, whichever is less.

**A fuse must be properly and fully inserted into the holder to provide a solid connection. Poor or improper insertion of the fuse can result in failure of the fuse and holder, thus not protecting the device for which it was intended.**

PACKAGING CODE	
Packaging Code	Description
BK	1,000 pieces in a box

#### North America

Cooper Electronic Technologies  
1225 Broken Sound Parkway NW  
Suite F  
Boca Raton, FL 33487-3533  
Tel: 1-561-998-4100  
Fax: 1-561-241-6640  
Toll Free: 1-888-414-2645

Cooper Bussmann  
P.O. Box 14460  
St. Louis, MO 63178-4460  
Tel: 1-636-394-2877  
Fax: 1-800-544-2570

#### Europe

Cooper Electronic Technologies  
Cooper (UK) Limited  
Burton-on-the-Wolds  
Leicestershire • LE12 5TH UK  
Tel: +44 (0) 1509 882 737  
Fax: +44 (0) 1509 882 786

Cooper Electronic Technologies  
Avda. Santa Eulalia, 290  
08223  
Terrassa, (Barcelona), Spain  
Tel: +34 937 362 812  
+34 937 362 813  
Fax: +34 937 362 719

#### Asia Pacific

Cooper Electronic Technologies  
1 Jalan Kilang Timor  
#06-01 Pacific Tech Centre  
Singapore 159303  
Tel: +65 278 6151  
Fax: +65 270 4160