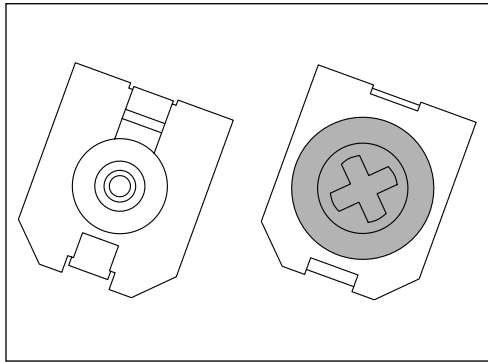


# Multilayer Ceramic Chip Trimmer Capacitors



## CTZ2 Series



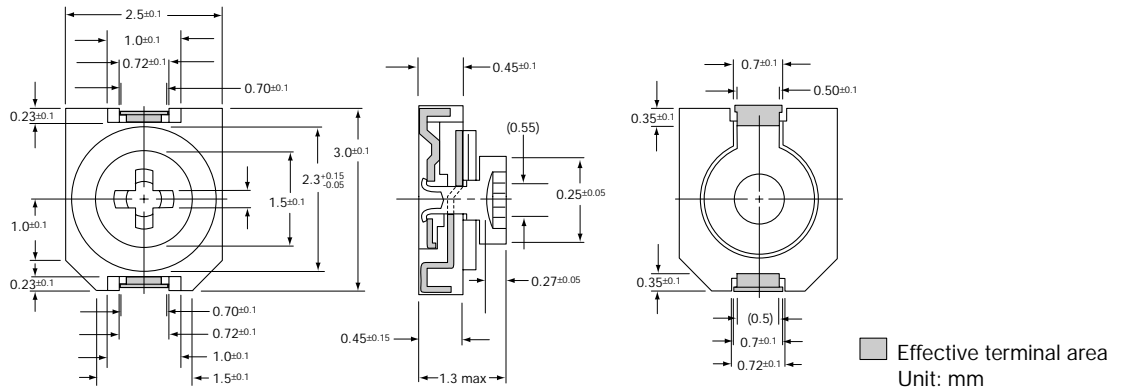
### HOW TO ORDER

**CTZ2** E - 03 A - W 2 - P  
 ① ② ③ ④ ⑤ ⑥ ⑦

- ① **CTZ2 Series**
- ② **Type:** S=Reflow non-washable type, E=Reflow washable type
- ③ **Maximum Capacitance:**  
 03=3pF, +100, -0%; 05=5pF, +100, -0%;  
 10=10pF, +100, -0%; 20=20pF, +100, -0%
- ④ **Temperature Characteristic:**  
 A=NP0±500ppm/°C, C=N750±500 ppm/°C
- ⑤ **Packaging Method:**  
 B=Bulk, W=Taping (W direction), X=Taping (X direction)
- ⑥ **Standard Packaged Quantity:** 2=2000 pcs per reel
- ⑦ **Standard:** P=Philips adjust  
 Optional: A=Setting drift ±1% (Philips adjust)  
 I=Ultra thin 1.0mm max.

### Philips Adjustment Dimensions

Note: Bulk packaging = 2,000 pcs



### Specifications

TYPE CTZ2-A				
Part No.	Min. cap value (pF)	Max. cap value (pF)	TC (ppm/°C)	Voltage Rating
CTZ2O-03A	2	3	NP0±500	25V
CTZ2O-05A	3	5	NP0±500	25V
CTZ2O-05C	2.5	5	N750±500	25V
CTZ2O-10A	3	10	NP0±500	25V
CTZ2O-10C	5	10	N750±500	25V
CTZ2O-20C	5.5	20	N750±500	25V
CTZ2O-30C	7	30	N750±500	25V

TYPE CTZ2-P				
Part No.	Min. cap value (pF)	Max. cap value (pF)	TC (ppm/°C)	Voltage Rating
CTZ2O-03A	2	3	NP0±500	25V
CTZ2O-05A	3	5	NP0±500	25V
CTZ2O-05C	2.5	5	N750±500	25V
CTZ2O-10A	3	10	NP0±500	25V
CTZ2O-10C	5	10	N750±500	25V
CTZ2O-20C	5.5	20	N750±500	25V
CTZ2O-30C	7	30	N750±500	25V

TYPE CTZ2-I				
Part No.	Min. cap value (pF)	Max. cap value (pF)	TC (ppm/°C)	Voltage Rating
CTZ2O-03A	2	3	NP0±500	25V
CTZ2O-05A	3	5	NP0±500	25V
CTZ2O-05C	2.5	5	N750±500	25V
CTZ2O-10A	3	10	NP0±500	25V
CTZ2O-10C	5	10	N750±500	25V
CTZ2O-20C	5.5	20	N750±500	25V
CTZ2O-30C	7	30	N750±500	25V

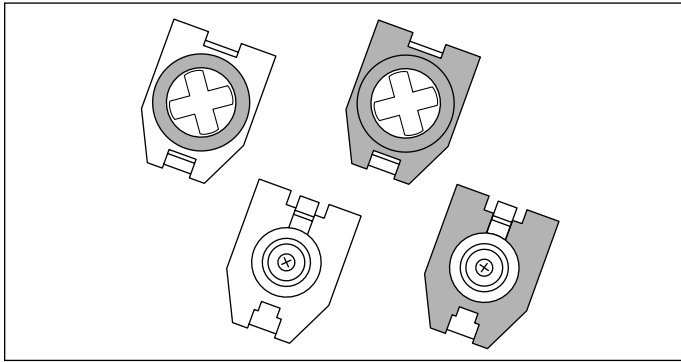
Additional information on this product is available from AVX's catalog or AVX's FAX Service. Call 1-800-879-1613 and request document #065. Visit our website <http://www.avxcorp.com>



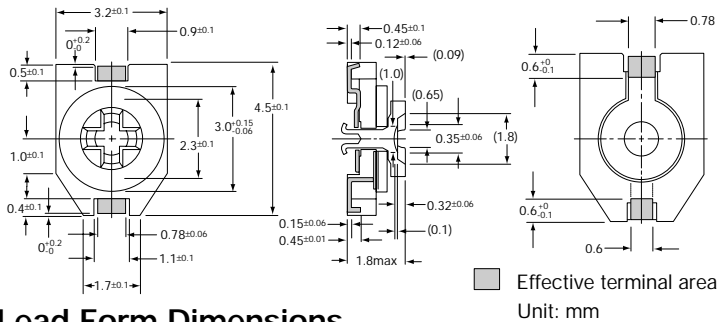
# Multilayer Ceramic Chip Trimmer Capacitors



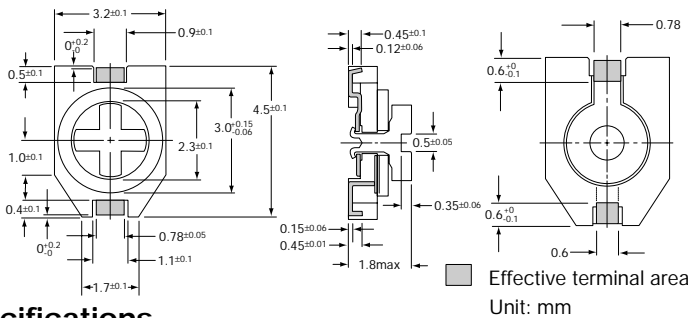
## CTZ3 Series



### Philips Adjustment Dimensions



### Lead Form Dimensions



### Specifications

TYPE CTZ3-A (max. height - 1.8mm)				
Part No.	Min. cap value (pF)	Max. cap value (pF)	TC (ppm/°C)	Voltage Rating
CTZ3O-03A	1.5	3	NPO±500	25V
CTZ3O-05A	2	5	NPO±500	25V
CTZ3O-05C	3	5	N750±500	25V
CTZ3O-10A	4	10	NPO±500	25V
CTZ3O-10B	2	10	N400±500	25V
CTZ3O-10C	3	10	N750±500	25V
CTZ3O-20C	7.5	20	N750±500	25V
CTZ3O-30C	7.5	30	N750±500	25V
CTZ3O-40C	7.5	40	N750±500	25V
CTZ3O-50C	12.5	50	N750±500	25V

TYPE CTZ3-P (max. height - 1.8mm)				
Part No.	Min. cap value (pF)	Max. cap value (pF)	TC (ppm/°C)	Voltage Rating
CTZ3O-03A	1	3	NPO±500	25V
CTZ3O-05A	1.5	5	NPO±500	25V
CTZ3O-05C	2	5	N750±500	25V
CTZ3O-10A	2.5	10	NPO±500	25V
CTZ3O-10B	1.5	10	N400±500	25V
CTZ3O-10C	3	10	N750±500	25V
CTZ3O-20C	5	20	N750±500	25V
CTZ3O-30C	5	30	N750±500	25V
CTZ3O-40C	5	40	N750±500	25V
CTZ3O-50C	7	50	N750±500	25V

TYPE CTZ3-P1.5 (max. height - 1.8mm)				
Part No.	Min. cap value (pF)	Max. cap value (pF)	TC (ppm/°C)	Voltage Rating
CTZ3O-03A	1	3	NPO±500	25V
CTZ3O-05A	1.5	5	NPO±500	25V
CTZ3O-05C	2	5	N750±500	25V
CTZ3O-10A	2.5	10	NPO±500	25V
CTZ3O-10B	1.5	10	N400±500	25V
CTZ3O-10C	3	10	N750±500	25V
CTZ3O-20C	5	20	N750±500	25V
CTZ3O-30C	5	30	N750±500	25V
CTZ3O-40C	5	40	N750±500	25V
CTZ3O-50C	7	50	N750±500	25V

TYPE CTZ3-PR (max. height - 1.8mm)				
Part No.	Min. cap value (pF)	Max. cap value (pF)	TC (ppm/°C)	Voltage Rating
CTZ3O-03A	1	3	NPO±500	25V
CTZ3O-05A	1.5	5	NPO±500	25V
CTZ3O-05C	2	5	N750±500	25V
CTZ3O-10A	2.5	10	NPO±500	25V
CTZ3O-10B	1.5	10	N400±500	25V
CTZ3O-10C	3	10	N750±500	25V
CTZ3O-20C	5	20	N750±500	25V
CTZ3O-30C	5	30	N750±500	25V
CTZ3O-40C	5	40	N750±500	25V
CTZ3O-50C	7	50	N750±500	25V

### HOW TO ORDER

**CTZ3 E - 03 A - W - 1 - P F**  
 ① ② ③ ④ ⑤ ⑥ ⑦ ⑧

- ① CTZ3 Series
- ② Type: S=Reflow non-washable type, E=Reflow washable type
- ③ Maximum Capacitance:  
 03=3pF, +100, -0%; 05=5pF, +100, -0%;  
 10=10pF, +100, -0%; 20=20pF, +100, -0%;  
 30=30pF, +100, -0%; 40=40pF, +100, -0%
- ④ Temperature Characteristic:  
 A=NPO±500ppm/°C, B=N400±500ppm/°C,  
 C=N750±500 ppm/°C
- ⑤ Packaging Method:  
 B=Bulk, W=Taping (W direction)  
 X=Taping (X direction option)
- ⑥ Packaging Quantity: (per reel)  
 1=1000 pcs, 5=5000 pcs
- ⑦ Standard: P=Philips Adjust  
 Optional:  
 A=Setting drift ±1% (Philips adjust)  
 P1.5=Product height 1.5mm max. (Philips adjust)  
 PR=Reverse Type (bottom adjust)
- ⑧ Standard: F=Lead Form

Additional information on this product is available from AVX's catalog or AVX's FAX Service. Call 1-800-879-1613 and request document #066. Visit our website <http://www.avxcorp.com>

