

Subminiature, Leaded Solid Tantalum Capacitors Polar or Non-polar



FEATURES

- Subminiature package size and light weight
- Rectangular case with axial or radial leads
- 2 to 50 VDC
- 0.1 μF to 470 μF
- Operating temperature range: - 55 $^{\circ}\text{C}$ to + 125 $^{\circ}\text{C}$
- High stability and reliability
- Tested in accordance with MIL-PRF-49137
- Unique and comprehensive custom design capability

ELECTRICAL CHARACTERISTICS

Operating temperature range: - 55 $^{\circ}\text{C}$ to + 125 $^{\circ}\text{C}$

Capacitance: Measured at 120 Hz and 25 $^{\circ}\text{C}$ with a maximum of 2.2 VDC bias and 1.0 V_{rms} signal.

Capacitance Tolerance: Standard tolerance is $\pm 20\%$ for ratings 0.1 μF and above, and + 40, - 20 % for ratings below 0.1 μF . Special tolerances are also available.

Dissipation Factor: When measured simultaneously with capacitance, DF shall not exceed the value shown in the ratings tables.

DC Leakage Current (DCL Max):

When measured with DC voltage applied through a 1000 Ω resistor for 5 minutes, DC leakage (μA) shall not exceed:

At 25 $^{\circ}\text{C}$: Leakage current shall not exceed the values listed in the Standard Ratings Tables

At 85 $^{\circ}\text{C}$: Leakage current shall not exceed 10 times the values listed in the Standard Ratings Tables

At 125 $^{\circ}\text{C}$ and 66 % of Rated Voltage: Leakage current shall not exceed 15 times the values listed in the Standard Ratings Tables.

Operating Voltage: Full working voltage up to 85 $^{\circ}\text{C}$. From 85 $^{\circ}\text{C}$ to 125 $^{\circ}\text{C}$ working voltage derates linearly to 66 % of the 85 $^{\circ}\text{C}$ working voltage.

APPLICATIONS

- Hearing aids
- Portable communications
- Space/avionics
- Laptop computers

MECHANICAL SPECIFICATIONS

Solder coated nickel leads (type N32 per MIL-STD-1276) are standard on all case sizes.

Leads are weldable and/or solderable.

Special leads are available on request (e.g. bare nickel, gold plated nickel or ribbon leads).

Lead length is 1 1/2" [38.1 mm] minimum on nonpolar parts.

On polar parts the negative lead is 1-1/4" [31.8 mm] minimum and the positive lead is 1-1/2" [38.1 mm] minimum.

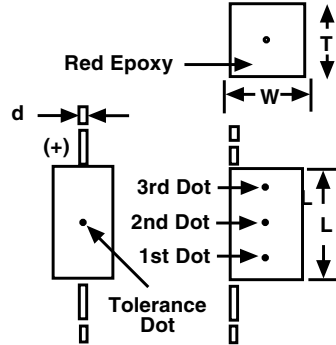
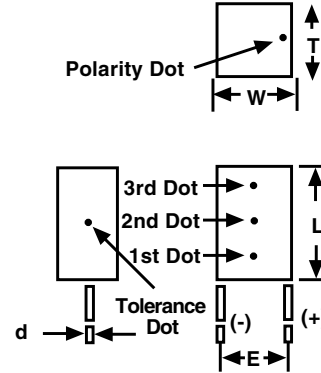
ORDERING INFORMATION

TC	1.0	35	C3	A*	M
MODEL	CAPACITANCE IN μF	DC VOLTAGE RATING AT + 85 $^{\circ}\text{C}$	CASE CODE	LEAD CONFIGURATION	CAPACITANCE TOLERANCE
			C = Polar N = Nonpolar	A = Axial R = Radial	E = + 40, - 20 % M = $\pm 20\%$ K = $\pm 10\%$ J = $\pm 5\%$

Example of Part Number Code: TC1.0-35C3AM

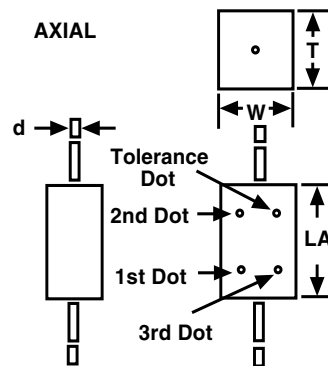
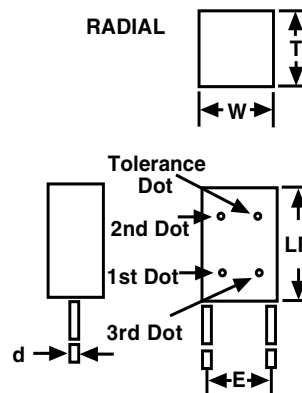
* To complete part number in rating tables, add A or R.
Change suffix if special capacitance tolerance is required.

DIMENSIONS in inches [millimeters]

POLAR STYLE
AXIAL

RADIAL


The 3rd dot is on the end of the CX size

CASE CODE	L MAX	W MAX	T MAX	E	E TOL ±	d
CX	0.075 [1.91]	0.050 [1.27]	0.040 [1.02]	0.030 [0.76]	0.015 [0.38]	0.007 [0.18]
C0	0.100 [2.54]	0.050 [1.27]	0.040 [1.02]	0.030 [0.76]	0.015 [0.38]	0.007 [0.18]
C1	0.125 [3.18]	0.070 [1.78]	0.040 [1.02]	0.050 [1.27]	0.015 [0.38]	0.010 [0.25]
C2	0.165 [4.19]	0.120 [3.05]	0.070 [1.78]	0.100 [2.54]	0.020 [0.51]	0.010 [0.25]
C3	0.225 [5.72]	0.185 [4.70]	0.075 [1.91]	0.150 [3.81]	0.020 [0.51]	0.010 [0.25]
C4	0.290 [7.37]	0.220 [5.59]	0.110 [2.79]	0.180 [4.57]	0.025 [0.64]	0.016 [0.41]
C5	0.310 [7.87]	0.230 [5.84]	0.130 [3.30]	0.200 [5.08]	0.025 [0.64]	0.016 [0.41]
C6	0.475 [12.07]	0.375 [9.53]	0.150 [3.81]	0.300 [7.62]	0.025 [0.64]	0.016 [0.41]

NON POLAR STYLE
AXIAL

RADIAL


CASE CODE	LA MAX	LR MAX	W MAX	T MAX	E MAX	E TOL ±	d
N1	0.220 [5.59]	0.180 [4.57]	0.125 [3.18]	0.125 [3.18]	0.100 [2.54]	0.020 [0.51]	0.010 [0.25]
N2	0.280 [7.11]	0.240 [6.10]	0.140 [3.56]	0.180 [4.57]	0.100 [2.54]	0.025 [0.64]	0.010 [0.25]
N3	0.370 [9.40]	0.315 [8.00]	0.180 [4.57]	0.220 [5.59]	0.150 [3.81]	0.025 [0.64]	0.016 [0.41]
N4	0.390 [9.91]	0.335 [8.51]	0.230 [5.84]	0.230 [5.84]	0.180 [4.57]	0.025 [0.64]	0.016 [0.41]



STANDARD RATINGS - POLAR CAPACITORS				
CAPACITANCE (μF)	MAX DF (%)	MAX. DCL at + 25 °C (μA)	CASE CODE	PART NUMBER
2 WVDC at + 85 °C				
0.47	10	0.5	C0	TC.47-2C0*M
0.68	10	0.5	C0	TC.68-2C0*M
1.0	10	0.5	C0	TC1.0-2C0*M
2.2	10	0.5	C1	TC2.2-2C1*M
10	10	0.5	C2	TC10-2C2*M
33	10	1.0	C3	TC33-2C3*M
100	15	2.0	C4	TC100-2C4*M
150	15	3.0	C5	TC150-2C5*M
470	20	9.0	C6	TC470-2C6*M
3 WVDC at + 85 °C				
1.5	10	0.5	C1	TC1.5-3C1*M
6.8	10	0.5	C2	TC6.8-3C2*M
22	10	1.0	C3	TC22-3C3*M
68	10	2.0	C4	TC68-3C4*M
100	10	3.0	C5	TC100-3C5*M
330	20	9.0	C6	TC330-3C6*M
4 WVDC at + 85 °C				
0.33	10	0.5	C0	TC.33-4C0*M
1.0	8	0.5	C1	TC1.0-4C1*M
4.7	8	0.5	C2	TC4.7-4C2*M
15	8	1.0	C3	TC15-4C3*M
47	8	2.0	C4	TC47-4C4*M
68	8	3.0	C5	TC68-4C5*M
220	15	9.0	C6	TC220-4C6*M
6 WVDC at + 85 °C				
0.22	10	0.5	C0	TC.22-6C0*M
0.68	6	0.5	C1	TC.68-6C1*M
3.3	6	0.5	C2	TC3.3-6C2*M
10	6	1.0	C3	TC10-6C3*M
33	6	2.0	C4	TC33-6C4*M
47	6	3.0	C5	TC47-6C5*M
150	10	9.0	C6	TC150-6C6*M
10 WVDC at + 85 °C				
0.0010	10	0.5	C0	TC.0010-10C0*E
0.0010	10	0.5	C1	TC.0010-10C1*E
0.0015	10	0.5	C0	TC.0015-10C0*E
0.0015	10	0.5	C1	TC.0015-10C1*E
0.0022	10	0.5	C0	TC.0022-10C0*E
0.0022	10	0.5	C1	TC.0022-10C1*E
0.0033	10	0.5	C0	TC.0033-10C0*E
0.0033	10	0.5	C1	TC.0033-10C1*E
0.0047	10	0.5	C0	TC.0047-10C0*E
0.0047	10	0.5	C1	TC.0047-10C1E
0.15	10	0.5	C0	TC.15-10C0*M
0.47	6	0.5	C1	TC.47-10C1*M
2.2	6	0.5	C2	TC2.2-10C2*M
6.8	6	1.0	C3	TC6.8-10C3*M
22	6	2.0	C4	TC22-10C4*M
33	6	3.0	C5	TC33-10C5*M
100	8	9.0	C6	TC100-10C6*M

*Add A for axial, R for radial

Subminiature, Leaded Solid Tantalum Capacitors
Polar or Non-polar

Vishay Sprague

STANDARD RATINGS - POLAR CAPACITORS				
CAPACITANCE (μF)	MAX DF (%)	MAX. DCL at + 25 °C (μA)	CASE CODE	PART NUMBER
15 WVDC at + 85 °C				
0.10	10	0.5	C0	TC.10-15C0*M
0.33	6	0.5	C1	TC.33-15C1*M
1.5	6	0.5	C2	TC1.5-15C2*M
15	6	2.0	C4	TC15-15C4*M
22	6	3.0	C5	TC22-15C5*M
68	8	9.0	C6	TC68-15C6*M
20 WVDC at + 85 °C				
0.033	10	0.5	C0	TC.033-20C0*E
0.033	6	0.5	C1	TC.033-20C1*E
0.047	10	0.5	C0	TC.047-20C0*E
0.047	6	0.5	C1	TC.047-20C1*E
0.068	10	0.5	C0	TC.068-20C0*E
0.068	6	0.5	C1	TC.068-20C1*E
0.10	6	0.5	C1	TC.10-20C1*M
0.15	6	0.5	C1	TC.15-20C1*M
0.22	6	0.5	C1	TC.22-20C1*M
1.0	6	0.5	C2	TC1.0-20C2*M
3.3	6	1.0	C3	TC3.3-20C3*M
4.7	6	1.0	C3	TC4.7-20C3*M
10	6	2.0	C4	TC10-20C4*M
15	6	3.0	C5	TC15-20C5*M
47	8	9.0	C6	TC47-20C6*M
25 WVDC at + 85 °C				
0.68	6	0.5	C2	TC.68-25C2*M
2.2	6	1.0	C3	TC2.2-25C3*M
6.8	6	2.0	C4	TC6.8-25C4*M
10	6	3.0	C5	TC10-25C5*M
33	6	9.0	C6	TC33-25C6*M
35 WVDC at + 85 °C				
0.22	6	0.5	C2	TC.22-35C2*M
0.33	6	0.5	C2	TC.33-35C2*M
0.47	6	0.5	C2	TC.47-35C2*M
0.68	6	1.0	C3	TC.68-35C3*M
1.0	6	1.0	C3	TC1.0-35C3*M
1.5	6	1.0	C3	TC1.5-35C3*M
2.2	6	2.0	C4	TC2.2-35C4*M
3.3	6	2.0	C4	TC3.3-35C4*M
4.7	6	2.0	C4	TC4.7-35C4*M
6.8	6	3.0	C5	TC6.8-35C5*M
10	6	9.0	C6	TC10-35C6*M
15	6	9.0	C6	TC15-35C6*M
22	6	9.0	C6	TC22.35C6*M
50 WVDC at + 85 °C				
0.15	6	0.5	C2	TC.15-50C2*M
4.7	6	3.0	C5	TC4.7-50C5*M
6.8	6	9.0	C6	TC6.8-50C6*M

*Add A for axial, R for radial

STANDARD RATINGS - NON-POLAR CAPACITORS				
CAPACITANCE (μF)	MAX DF (%)	MAX. DCL at + 25 °C (μA)	CASE CODE	PART NUMBER
2 WVDC at + 85 °C				
4.7	10	0.5	N1	TC4.7-2N1*M
15	10	1.0	N2	TC15-2N2*M
47	15	2.0	N3	TC47-2N3*M
68	15	3.0	N4	TC68-2N4*M
3 WVDC at + 85 °C				
3.3	10	0.5	N1	TC3.3-3N1*M
10	10	1.0	N2	TC10-3N2*M
33	10	2.0	N3	TC33-3N3*M
47	10	3.0	N4	TC47-3N4*M
4 WVDC at + 85 °C				
2.2	8	0.5	N1	TC2.2-4N1*M
6.8	8	1.0	N2	TC6.8-4N2*M
22	8	2.0	N3	TC22-4N3*M
33	8	3.0	N4	TC33-4N4*M
6 WVDC at + 85 °C				
1.5	6	0.5	N1	TC1.5-6N1*M
4.7	6	1.0	N2	TC4.7-6N2*M
15	6	2.0	N3	TC15-6N3*M
22	6	3.0	N4	TC22-6N4*M
10 WVDC at + 85 °C				
1.0	6	0.5	N1	TC1.0-10N1*M
3.3	6	1.0	N2	TC3.3-10N2*M
10	6	2.0	N3	TC10-10N3*M
15	6	3.0	N4	TC15-10N4*M
15 WVDC at + 85 °C				
0.68	6	0.5	N1	TC.68-15N1*M
6.8	6	2.0	N3	TC6.8-15N3*M
10	6	3.0	N4	TC10-15N4*M
20 WVDC at + 85 °C				
0.47	6	0.5	N1	TC.47-20N1*M
1.5	6	1.0	N2	TC1.5-20N2*M
2.2	6	1.0	N2	TC2.2-20N2*M
4.7	6	2.0	N3	TC4.7-20N3*M
6.8	6	3.0	N4	TC6.8-20N4*M
25 WVDC at + 85 °C				
0.33	6	0.5	N1	TC.33-25N1*M
1.0	6	1.0	N2	TC1.0-25N2*M
3.3	6	2.0	N3	TC3.3-25N3*M
4.7	6	3.0	N4	TC4.7-25N4*M
35 WVDC at + 85 °C				
0.10	6	0.5	N1	TC.10-35N1*M
0.15	6	0.5	N1	TC.15-35N1*M
0.22	6	0.5	N1	TC.22-35N1*M
0.33	6	1.0	N2	TC.33-35N2*M
0.47	6	1.0	N2	TC.47-35N2*M
0.68	6	1.0	N2	TC.68-35N2*M
1.0	6	2.0	N3	TC1.0-35N3*M
50 WVDC at + 85 °C				
2.2	6	3.0	N4	TC2.2-50N4*M

*Add A for axial, R for radial



Subminiature, Leaded Solid Tantalum Capacitors
Polar or Non-polar

Vishay Sprague

MARKING																																			
<p>TC Capacitors case sizes C3 - C6 and N2 - N4 are print marked:</p> <ul style="list-style-type: none"> - Capacitance is in picofarads - 1st and 2nd digits are significant figures - 3rd digit indicates the number of zeros. 																																			
<p>All other case sizes are have color dot marking:</p>																																			
<table border="1"> <thead> <tr> <th>Capacitance</th> <th>Color</th> <th>Digit</th> </tr> </thead> <tbody> <tr> <td>In picofarads, indicated by 3 dots.</td> <td>Black</td> <td>0</td> </tr> <tr> <td>1st and 2nd dot give the significant digits.</td> <td>Brown</td> <td>1</td> </tr> <tr> <td>3rd dot indicates the number of zeros.</td> <td>Red</td> <td>2</td> </tr> <tr> <td></td> <td>Orange</td> <td>3</td> </tr> <tr> <td></td> <td>Yellow</td> <td>4</td> </tr> <tr> <td>Color dot location is shown on the dimensional sketches.</td> <td>Green</td> <td>5</td> </tr> <tr> <td></td> <td>Blue</td> <td>6</td> </tr> <tr> <td>Black dot is omitted on black sleeve.</td> <td>Violet</td> <td>7</td> </tr> <tr> <td></td> <td>Grey</td> <td>8</td> </tr> <tr> <td></td> <td>White</td> <td>9</td> </tr> </tbody> </table>			Capacitance	Color	Digit	In picofarads, indicated by 3 dots.	Black	0	1st and 2nd dot give the significant digits.	Brown	1	3rd dot indicates the number of zeros.	Red	2		Orange	3		Yellow	4	Color dot location is shown on the dimensional sketches.	Green	5		Blue	6	Black dot is omitted on black sleeve.	Violet	7		Grey	8		White	9
Capacitance	Color	Digit																																	
In picofarads, indicated by 3 dots.	Black	0																																	
1st and 2nd dot give the significant digits.	Brown	1																																	
3rd dot indicates the number of zeros.	Red	2																																	
	Orange	3																																	
	Yellow	4																																	
Color dot location is shown on the dimensional sketches.	Green	5																																	
	Blue	6																																	
Black dot is omitted on black sleeve.	Violet	7																																	
	Grey	8																																	
	White	9																																	
<table border="1"> <thead> <tr> <th>Capacitance Tolerance</th> <th>Color</th> <th>Tolerance</th> </tr> </thead> <tbody> <tr> <td>Is indicated by a dot on the side of the case.</td> <td>Gold</td> <td>± 5 %</td> </tr> <tr> <td></td> <td>Silver</td> <td>± 10 %</td> </tr> <tr> <td>Black dot is omitted.</td> <td>None</td> <td>± 20 %</td> </tr> <tr> <td></td> <td>None</td> <td>+ 40 %/- 20 %</td> </tr> </tbody> </table>	Capacitance Tolerance	Color	Tolerance	Is indicated by a dot on the side of the case.	Gold	± 5 %		Silver	± 10 %	Black dot is omitted.	None	± 20 %		None	+ 40 %/- 20 %																				
Capacitance Tolerance	Color	Tolerance																																	
Is indicated by a dot on the side of the case.	Gold	± 5 %																																	
	Silver	± 10 %																																	
Black dot is omitted.	None	± 20 %																																	
	None	+ 40 %/- 20 %																																	
<p>The positive lead is indicated by a color dot of red epoxy on the unit.</p>		<p>e.g. Yellow-Violet-Green = 4 700 000 pF</p> <p>= 4.7 μF</p>																																	

PERFORMANCE AND RELIABILITY

The capacitors are tested in accordance with MIL-PRF-49137, with specific requirements as follows:

Temperature Stability: When tested per MIL-PRF-49137/6, capacitance shall be within $\pm 15\%$ at $-55\text{ }^\circ\text{C}$ and $85\text{ }^\circ\text{C}$, and $\pm 10\%$ at $25\text{ }^\circ\text{C}$ after exposure to temperature extremes. DF shall be within 200 % of initial limit at $-55\text{ }^\circ\text{C}$, 150 % of initial limit at $85\text{ }^\circ\text{C}$, and meet the initial at $25\text{ }^\circ\text{C}$. DCL shall be within 10 x initial limit at $85\text{ }^\circ\text{C}$, and meet the initial limit at $25\text{ }^\circ\text{C}$.

Moisture Resistance: (per Method 106 of MIL-STD-202) After 10 cycles of 24 hours at $25\text{ }^\circ\text{C}$ to $65\text{ }^\circ\text{C}$ and 80 - 98 % RH; capacitance shall be within $\pm 15\%$ of initial value, DF within 1.5 x initial limit and leakage within 3 x initial limit.

Life: (per Method 108 of MIL-STD-202) after 1000 hours at $85\text{ }^\circ\text{C}$ and rated voltage; capacitance shall be within $\pm 10\%$ of initial limit, DF within initial limits, and leakage within 200 % of initial limit.

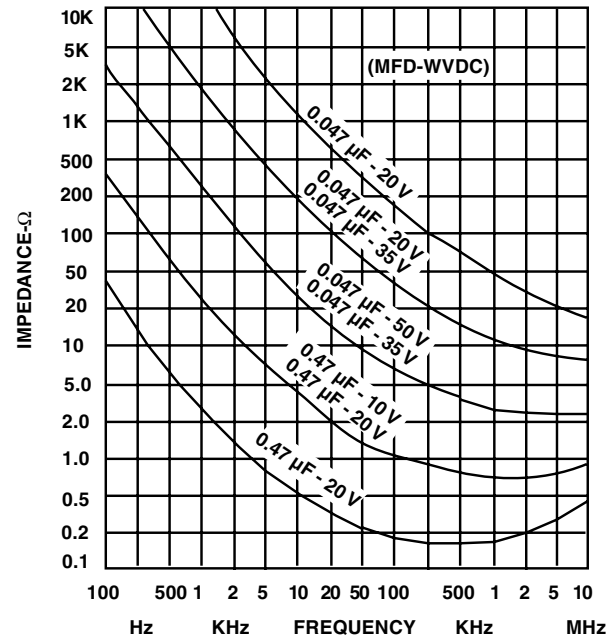
Surge Voltage: (per MIL-PRF-49317) After 1000 cycles at $85\text{ }^\circ\text{C}$ and 1.3 x WVDC; capacitance shall be within $\pm 10\%$ of initial limit, DF and leakage within initial limits.

Resistance to Soldering Heat: (per Method 210 of MIL-STD-202, Condition B) After immersion in $260\text{ }^\circ\text{C}$ molten solder to within a 1/4" of the body of the unit, there shall be no evidence of mechanical or electrical degradation.

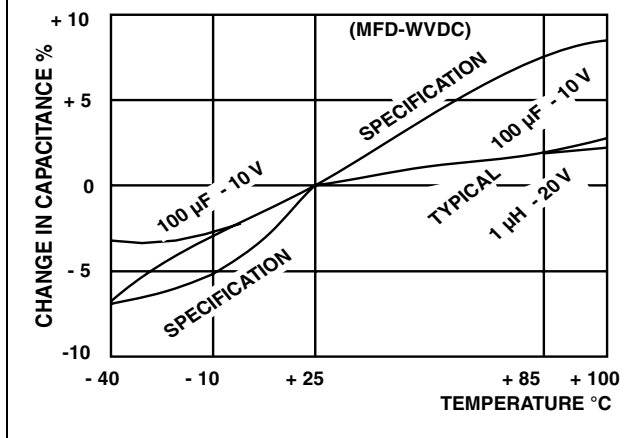
Solderability: (per Method 208 of MIL-STD-202) After dipping leads in $235\text{ }^\circ\text{C}$ molten solder to within 0.125" of the body of the unit, the solder shall cover 95 % of the lead surface.

Terminal Strength: (per Method 211 of MIL-STD-202) After the following test there shall be no loosening of the terminals or permanent damage to the terminals. Test Condition A: (Pull Test) 0.010" leads withstand 1 pound, 0.016" leads 2 pounds and 0.007" leads 1/2 pound. Test Condition C: (Bend Test) All leads shall withstand 3 - 90° bends with a 1/2 pound applied force.

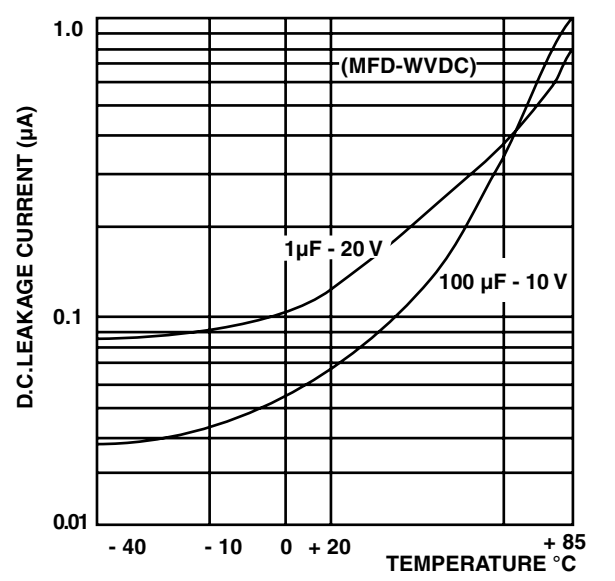
IMPEDANCE VS. FREQUENCY



CAPACITANCE VS. TEMPERATURE



LEAKAGE CURRENT - TEMPERATURE





Disclaimer

All product specifications and data are subject to change without notice.

Vishay Intertechnology, Inc., its affiliates, agents, and employees, and all persons acting on its or their behalf (collectively, "Vishay"), disclaim any and all liability for any errors, inaccuracies or incompleteness contained herein or in any other disclosure relating to any product.

Vishay disclaims any and all liability arising out of the use or application of any product described herein or of any information provided herein to the maximum extent permitted by law. The product specifications do not expand or otherwise modify Vishay's terms and conditions of purchase, including but not limited to the warranty expressed therein, which apply to these products.

No license, express or implied, by estoppel or otherwise, to any intellectual property rights is granted by this document or by any conduct of Vishay.

The products shown herein are not designed for use in medical, life-saving, or life-sustaining applications unless otherwise expressly indicated. Customers using or selling Vishay products not expressly indicated for use in such applications do so entirely at their own risk and agree to fully indemnify Vishay for any damages arising or resulting from such use or sale. Please contact authorized Vishay personnel to obtain written terms and conditions regarding products designed for such applications.

Product names and markings noted herein may be trademarks of their respective owners.