

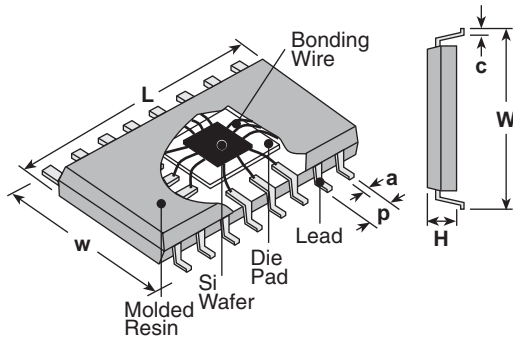
features

- Thin film construction
- Surface mount package
- Stable resistor technology
- High component density
- Products with lead-free terminations meet EU RoHS and China RoHS requirements

applications

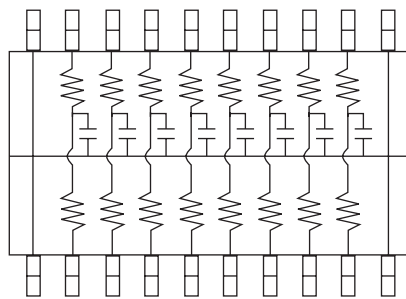
- Signal termination
- Signal conditioning
- Low pass filter
- T filter

dimensions and construction

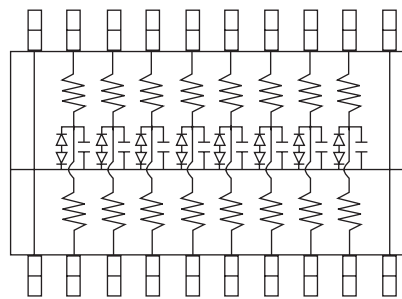


Package Code	Total Power	Pins	Dimensions inches (mm)						
			L ±0.2	W ±0.2	w ±0.2	H ±0.2	p ±0.1	a ±0.1	c ±0.1
Q20	1 watt	20	.341 (8.66)	.236 (5.99)	.150 (3.81)	.063 (1.60)	.025 (0.635)	.010 (0.25)	.026 (0.66)
Q24	1 watt	24	.341 (8.66)	.236 (5.99)	.150 (3.81)	.063 (1.60)	.025 (0.635)	.010 (0.25)	.026 (0.66)
W20	1.2 watts	20	.500 (12.7)	.408 (10.36)	.300 (7.62)	.084 (2.40)	.050 (1.27)	.016 (0.41)	.026 (0.66)

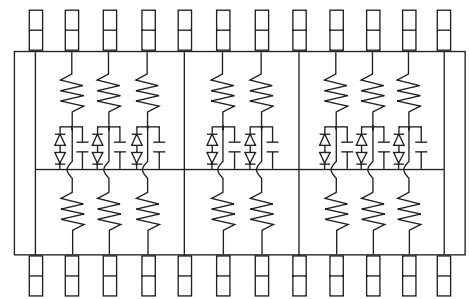
circuit schematic



TFA: 20 pins



TFB: 20 pins



TFB: 24 pins

ordering information

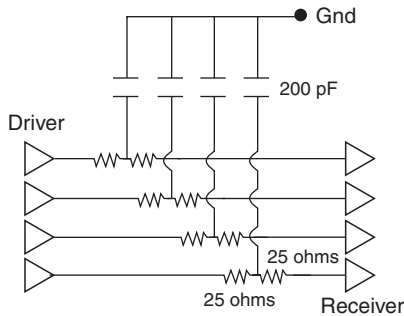
New Part #	TFB	Q20	T	TEB	250	K	201	M
Type	TFA TFB	Package Code Reference above table	Termination Material T: Sn (Other termination styles available, contact factory for options)	Packaging TEB: 13" embossed plastic tape	Nominal Resistance 2 significant digits + number of zeros	Tolerance K: ±10%	Nominal Capacitance 2 significant digits + number of zeros	Tolerance M: ±20%

For further information on packaging, please refer to Appendix A.

Specifications given herein may be changed at any time without prior notice. Please confirm technical specifications before you order and/or use.

2/12/08

Parallel Termination



applications and ratings

Part Designation	Power Rating @ 70°C (Per Element)	T.C.R. (ppm/°C)	Capacitor Voltage Rating	Operating Temperature Range	Resistance Range Ω (E-24)	Resistance Tolerance	Capacitor Range pF (E-24)	Capacitor Tolerance	ESD* Rating IEC 61000-4-2	Diode* Breakdown Voltage (@1ma)
TFA TFB	100mW	±200	20V	-55°C to +125°C	10 ~ 1,000	K: ±10%	33 ~ 400pF	M: ±20%	4kV*	6.5v Min.

* TFB only

environmental applications

Performance Characteristics

Parameter	Maximum Δ R	Test Method
Resistance to Soldering Heat	+0.25%	MIL-R-55342 4.7.7
Short Time Overload	+0.50%	MIL-R-55342 4.7.5
Moisture Resistance	+0.50%	MIL-STD-202 method 103
Thermal Shock	+0.50%	MIL-STD-202 method 107
H.A.S.T.	+1%	2 Atm., 121°C, 96 hrs