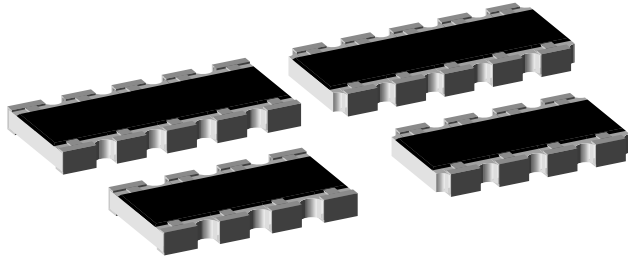


## Thick Film Array, Resistor/Capacitor



### FEATURES

- Single component reduces board space and component counts
- Choice of dielectric characteristics X7R or Y5U
- Wrap around termination
- Thick film R/C element
- Inner electrode protection
- Flow & Reflow solderable
- Automatic placement capability, standard size
- 8 or 10 pin configurations



STANDARD ELECTRICAL SPECIFICATIONS									
GLOBAL MODEL	RESISTOR				CAPACITOR				
	POWER RATING P <sub>70°C</sub> W	TEMPERATURE COEFFICIENT ppm/°C	TOLERANCE %	VALUE RANGE Ω	DIELECTRIC	TEMPERATURE COEFFICIENT %	TOLERANCE %	VOLTAGE RATING VDC	VALUE RANGE pF
CRCA12E CRCA12S	0.125	200	5	10R - 1M0	X7R	± 15	20	50	10 - 270
CRCA12E CRCA12S	0.125	200	5	10R - 1M0	Y5U	+ 20, - 56	20	50	270 - 1800
<b>RESISTOR</b>					<b>CAPACITOR</b>				
<ul style="list-style-type: none"> <li>• Operating Temperature Range: X7R - 55 °C to + 125 °C</li> <li>• Technology: Thick Film</li> </ul>					<ul style="list-style-type: none"> <li>• Operating Temperature Range: X7R - 55 °C to + 125 °C Y5U - 30 °C to + 85 °C</li> <li>• Maximum Dissipation Factor: 2.5 %</li> <li>• Dielectric Withstanding Voltage: 125 V<sub>dc</sub>, 5 sec, 50 mA Charge</li> </ul>				

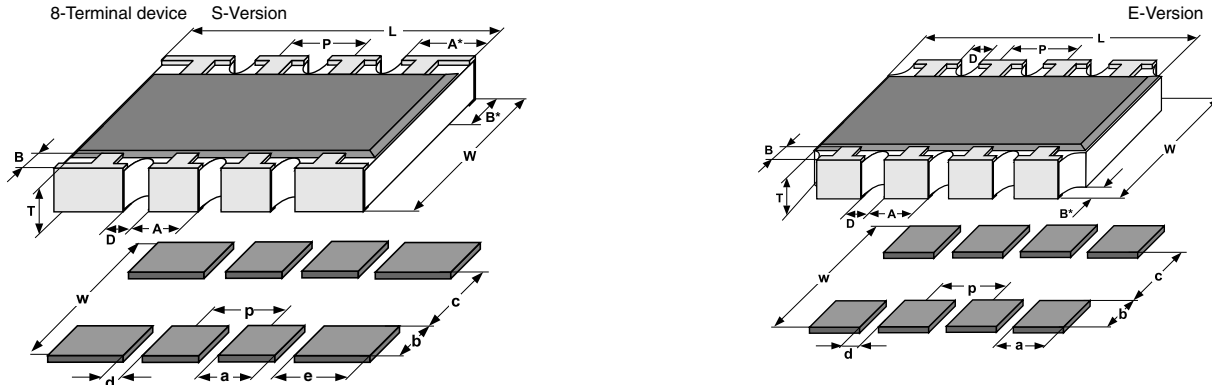
### Notes

- Ask about extended value ranges
- Packaging: according to EIA 481
- Power rating depends on the max. temperature at the solder point, the component placement density and the substrate material

TECHNICAL SPECIFICATIONS				
PARAMETER	UNIT	RESISTOR	X7R CAPACITOR	Y5U CAPACITOR
Rated Dissipation at 70 °C (CECC 40401   EIA 575)	W	0.125	-	-
Capacitor Voltage Rating	V	-	50	50
Dielectric Withstanding Voltage (5 sec, 50 mA Charge)	V <sub>dc</sub>	-	125	125
Category Temperature Range	°C	- 55/+ 155	- 55/+ 125	- 30/+ 85
Insulation Resistance	Ω		> 10 <sup>10</sup>	

GLOBAL PART NUMBER INFORMATION							
New Global Part Numbering: CRCA12E081472220R (preferred part numbering format)							
<div style="display: flex; justify-content: space-around; font-weight: bold; font-size: 1.2em;"> <span>C</span><span>R</span><span>C</span><span>A</span><span>1</span><span>2</span><span>E</span><span>0</span><span>8</span><span>1</span><span>4</span><span>7</span><span>2</span><span>2</span><span>2</span><span>0</span><span>R</span><span> </span> </div>							
MODEL	PIN COUNT	SCHEMATIC	RESISTANCE VALUE	CAPACITANCE VALUE	PACKAGING		SPECIAL
CRCA12E CRCA12S	08 = 8 Pin 10 = 10 Pin	1 = 01 2 = 02 3 = 03 0 = Special	2 digit significant figures, followed by a multiplier 100 = 10 Ω 683 = 68 kΩ 105 = 1.0 MΩ (Tolerance = ± 5 %)	2 digit significant figures, followed by multiplier 100 = 10 pF 271 = 270 pF 182 = 1800 pF (Tolerance = ± 20 %)	E = Lead (Pb)-free, T/R (2000 pcs) R = Tin/Lead, T/R (2000 pcs)		(Dash Number) (up to 1 digit) Blank = Standard
Historical Part Number example: CRCA12E0801472J220MRB8 (will continue to be accepted)							
CRCA12E	08	01	472	J	220	M	RB8
MODEL	PIN COUNT	SCHEMATIC	RESISTANCE VALUE	TOLERANCE	CAPACITANCE VALUE	TOLERANCE	PACKAGING

**DIMENSIONS**



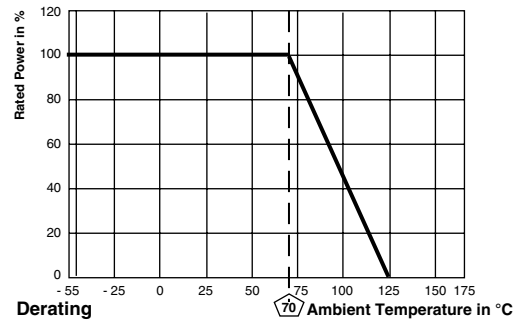
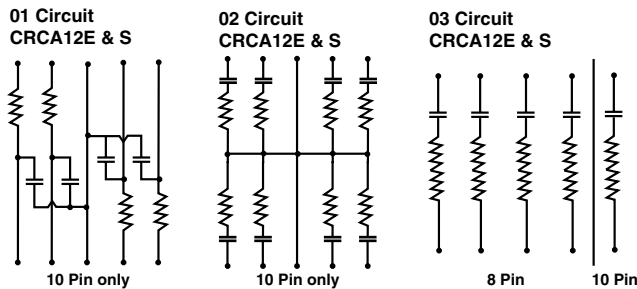
GLOBAL MODEL	PIN NO#	SIZE		DIMENSIONS [in millimeters]								
		INCH	METRIC	L	W	T	B	B*	A	A*	D <sub>NOM</sub>	P <sub>NOM</sub>
CRCA12E	8	2012	5032	5.1 ± 0.15	3.05 ± 0.15	0.61 ± 0.10	0.51 ± 0.25	0.38 ± 0.2	0.79 ± 0.15	-	0.25	1.27
CRCA12S	8	2012	5032	5.1 ± 0.15	3.05 ± 0.15	0.61 ± 0.10	0.51 ± 0.25	0.38 ± 0.2	0.79 ± 0.15	0.89 ± 0.15	0.25	1.27
CRCA12E	10	2512	6432	6.4 ± 0.15	3.05 ± 0.15	0.61 ± 0.10	0.51 ± 0.25	0.38 ± 0.2	0.79 ± 0.15	-	0.25	1.27
CRCA12S	10	2512	6432	6.4 ± 0.15	3.05 ± 0.15	0.61 ± 0.10	0.51 ± 0.25	0.38 ± 0.2	0.79 ± 0.15	0.89 ± 0.15	0.25	1.27

SOLDER PAD DIMENSIONS [in millimeters]							
	c	w	d	p	a	b	e
WAVE SOLDERING	2.2	4.3	0.57	1.27	0.71	1.05	1.09
REFLOW SOLDERING	2.2	3.9	0.57	1.27	0.71	0.86	1.09

**Note**

1. The images shown are for an 8 pin Part. For a 10 pin part, use the same pitch and add another pair of "a" dimension pads to the inner solder pads.

**SCHEMATICS**



PERFORMANCE			
TEST	CONDITIONS OF TEST	TEST RESULTS	
		R	C
Endurance Test at 70 °C MIL-Std-202 Method 108	1000 hours at 70 °C, 1.5 hours "ON", 0.5 hours "OFF"	± (5 % + 2 Ω)	± 20 %
Dielectric Withstanding Voltage MIL-Std-202 Method 301	125 V <sub>dc</sub> , 5 seconds, 50 mA charge	no physical damage	
Thermal Shock MIL-Std-202 Method 107	100 cycles, - 55 to + 125 °C	± (5 % + 2 Ω)	± 20 %
Moisture MIL-Std-202 Method 106	Omit steps 7A and B	± (5 % + 2 Ω)	± 20 %
Resistance to Soldering Heat EIA 575	10 seconds at 260 °C solder bath temperature	± (5 % + 2 Ω)	± 20 %
High Temperature Exposure EIA 575	125 °C for 100 hours	± (5 % + 2 Ω)	± 20 %
Low Temperature Operation EIA 575	1 hour at - 55 °C then 45 minutes at 50 V	± (5 % + 2 Ω)	± 20 %
Solderability & Leaching EIA 575 3.12	Condition C	95 % Coverage	

APPLICABLE SPECIFICATIONS
<ul style="list-style-type: none"> <li>• IPC Standards</li> <li>• EIA 575</li> </ul>



## Disclaimer

All product specifications and data are subject to change without notice.

Vishay Intertechnology, Inc., its affiliates, agents, and employees, and all persons acting on its or their behalf (collectively, "Vishay"), disclaim any and all liability for any errors, inaccuracies or incompleteness contained herein or in any other disclosure relating to any product.

Vishay disclaims any and all liability arising out of the use or application of any product described herein or of any information provided herein to the maximum extent permitted by law. The product specifications do not expand or otherwise modify Vishay's terms and conditions of purchase, including but not limited to the warranty expressed therein, which apply to these products.

No license, express or implied, by estoppel or otherwise, to any intellectual property rights is granted by this document or by any conduct of Vishay.

The products shown herein are not designed for use in medical, life-saving, or life-sustaining applications unless otherwise expressly indicated. Customers using or selling Vishay products not expressly indicated for use in such applications do so entirely at their own risk and agree to fully indemnify Vishay for any damages arising or resulting from such use or sale. Please contact authorized Vishay personnel to obtain written terms and conditions regarding products designed for such applications.

Product names and markings noted herein may be trademarks of their respective owners.