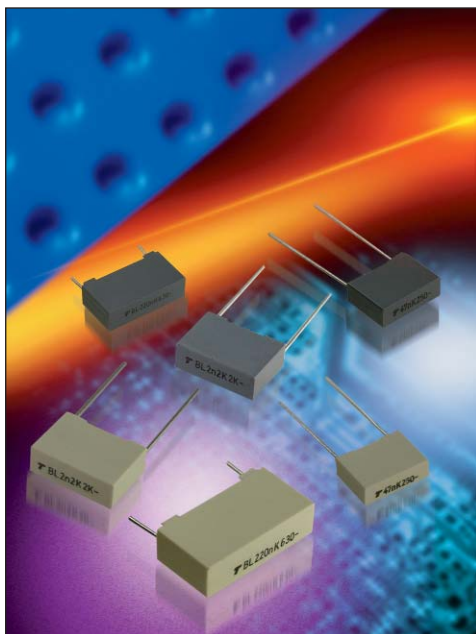


PPM6 (BB/PBS)



APPLICATIONS

- Commodity Product:
 - Decoupling with AC or pulse components
 - High current uses (TV deflection coils)
 - Capacitive dividers
 - Energy saving lamps, etc.

TECHNOLOGY

- Dielectric: Polypropylene film
- Wound capacitor
- Leads: Radial tinned wire
- Protection: Plastic case (UL94: V-O) / Polyurethane resin
- Marking: Logo
 - Type
 - Nominal Capacitance
 - Tolerance (EIA)
 - DC Nominal Voltage
 - Example: **T BL 100n J 250**
- Delivery Mode: Bulk
 - Taped (reel) for pitch = 7.5-10 & 15mm

Schematic Cross Section



PERFORMANCE CHARACTERISTICS

Climatic Category:	55/100/56
Capacitance Range:	C_R 1 nF to 6.8 μ F (E24)
Tolerances on C_R :	$\pm 5\%$, $\pm 10\%$
Nominal Voltages:	V_{R-} 160/250/400/630/1000/1600/2000 V V_{R-} 100/160/200/250/350/400/500 V
Category Voltage:	$V_c = 0.7 V_{R-}$ at 100°C
Test Voltage:	$V_e = 1.6 V_{R-} / 2s$ at 25°C
Total Self Inductance (L):	For lead length = 2mm
Pitch (mm)	7.5 10 15 22.5 27.5
L (nH)	8 9 10 18 18
Tangent of Loss Angle:	D.F. $\leq 10 \cdot 10^{-4}$ at 1 kHz 25°C
Insulation Resistance:	IR > 100 G Ω for C $\leq 0.33\mu$ F IR > 30000s for C > 0.33 μ F
Condition of Measurement:	100V (± 15) at 25°C

dv/dt:

V_{R-}	160	250	400	630	1000	1600	2000
(dv/dt) _R max pitch: 7.5mm	1200	1310	1620	2750			
(dv/dt) _R max pitch: 10mm	850	1000	1250	2500			
(dv/dt) _R max pitch: 15mm	107	154	247	280	400	460	690
(dv/dt) _R max pitch: 22.5mm	85	120	130	150	280	390	485
(dv/dt) _R max pitch: 27.5mm	56	65	80	90	144	203	253

Thermal Resistance: R_{th} hot spot/ambient (°C/W)

Pitch (mm)	7.5mm			10mm				15mm				22.5mm				27.5mm		
Case	2	4	5	6	8	9	10	11	12	13	23	24	16	P0	18	19		
Rth	120	94	82	127	103	94	82	71	58	53	49	39	47	45	37	33		

STANDARDIZATION

CEI 384-16 & CEI 384-17
Performance Class 1-1

BL 7.5/10/15/22/27

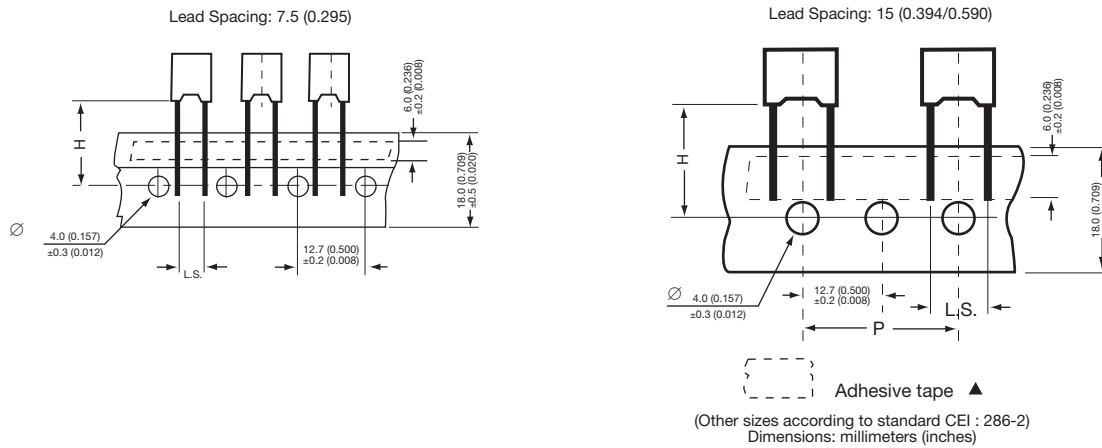


Pitch = 7.5mm / 10mm / 15mm / 22.5mm / 27.5mm

PACKAGING

• Reel

Taping Suffix EN			
Lead Spacing Tol ±0.4 (0.016)			
	Pitch 7.5 (0.295)	Pitch 10 (0.394)	Pitch: 15 (0.590)
P	12.7 ±1 (0.500 ±0.039)	25.4 ±1 (1.0 ±0.039)	25.4 ±1 (1.0 ±0.039)
H	16.5 ±0.3 (0.650 ±0.012)	16 +1.5/-0.5 (0.600 +0.059/-0.020)	16 +1.5/-0.5 (0.600 +0.059/-0.020)



• Bulk

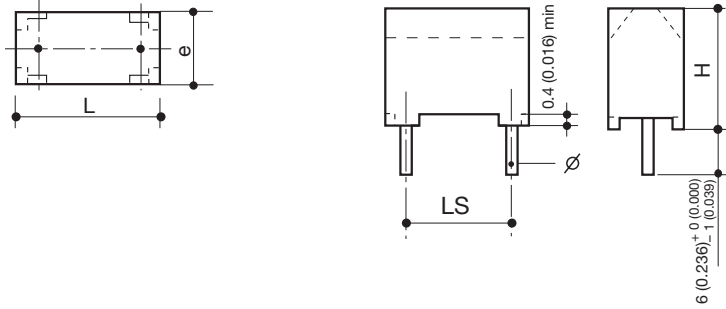
Suffix	--	LG	KB	KC	KE	KH	KK	K3	K7
Leads Length	6mm +0/-1	3.2mm ±0.4	3.5mm ±0.5	4mm ±0.5	5mm ±0.5	9mm ±0.5	15mm ±0.5	20mm ±1	25mm ±1

Standard Suffix: --
Special MOQ for these special suffix

BL 07/10/15/22/27



Pitch = 7.5mm & 10mm



BL07

Pitch mm	Ordering Code	Vr-/Vr~	Cr	Case	Dimensions (mm)			MOQ		∅ +10% -0.5 mm	I ² t (A ² .sec)	I _{rms} (A)
					L max	H max	e max	Reel	Bulk ⁽¹⁾			
07	BL076F0163+- -	160/100	16nF	2	10.1	10.2	5.2	10,000	14,000	0.6	*	*
	BL076F0223+- -		22nF	2	10.1	10.2	5.2	10,000	14,000	0.6	*	*
	BL076F0333+- -		33nF	2	10.1	10.2	5.2	10,000	14,000	0.6	*	*
07	BL076G0912+- -	250/160	9.1nF	2	10.1	10.2	5.2	10,000	14,000	0.6	*	*
	BL076G0103+- -		10nF	2	10.1	10.2	5.2	10,000	14,000	0.6	*	*
	BL076G0153+- -		15nF	2	10.1	10.2	5.2	10,000	14,000	0.6	*	*
07	BL076I0562+- -	400/200	5.6nF	2	10.1	10.2	5.2	10,000	14,000	0.6	*	*
	BL076I0682+- -		6.8nF	2	10.1	10.2	5.2	10,000	14,000	0.6	*	*
	BL076I0822+- -		8.2nF	2	10.1	10.2	5.2	10,000	14,000	0.6	*	*
07	BL076K0102+- -	630/250	1nF	2	10.1	10.2	5.2	10,000	14,000	0.6	*	*
	BL076K0222+- -		2.2nF	2	10.1	10.2	5.2	10,000	14,000	0.6	*	*
	BL076K0332+- -		3.3nF	2	10.1	10.2	5.2	10,000	14,000	0.6	*	*
	BL076K0472+- -		4.7nF	2	10.1	10.2	5.2	10,000	14,000	0.6	*	*
	BL076K0512+- -		5.1nF	2	10.1	10.2	5.2	10,000	14,000	0.6	*	*

BL10

Pitch mm	Ordering Code	Vr-/Vr~	Cr	Case	Dimensions (mm)			MOQ		∅ +10% -0.5 mm	I ² t (A ² .sec)	I _{rms} (A)
					L max	H max	e max	Reel	Bulk ⁽¹⁾			
10	BL106F0363+- -	160/100	36nF	4	12.7	10.2	5.2	5600	10,000	0.6	*	*
	BL106F0473+- -		47nF	4	12.7	10.2	5.2	5600	10,000	0.6	*	*
	BL106F0683+- -		68nF	4	12.7	10.2	5.2	5600	10,000	0.6	*	*
	BL106F0104+- -		104nF	4	12.7	10.2	5.2	5600	10,000	0.6	*	*
	BL106F0124+- -		124nF	5	12.7	13.6	5.2	5600	8000	0.6	*	*
	BL106F0134+- -		134nF	5	12.7	13.6	5.2	5600	8000	0.6	*	*
10	BL106G0163+- -	250/160	16nF	4	12.7	10.2	5.2	5600	10,000	0.6	*	*
	BL106G0223+- -		22nF	4	12.7	10.2	5.2	5600	10,000	0.6	*	*
	BL106G0333+- -		33nF	4	12.7	10.2	5.2	5600	10,000	0.6	*	*
	BL106G0473+- -		47nF	4	12.7	10.2	5.2	5600	10,000	0.6	*	*
	BL106G0563+- -		56nF	5	12.7	13.6	5.2	5600	8000	0.6	*	*
10	BL106I0912+- -	400/200	9.1nF	4	12.7	10.2	5.2	5600	10,000	0.6	*	*
	BL106I0103+- -		10nF	4	12.7	10.2	5.2	5600	10,000	0.6	*	*
	BL106I0223+- -		22nF	4	12.7	10.2	5.2	5600	10,000	0.6	*	*
	BL106I0333+- -		33nF	5	12.7	13.6	5.2	5600	8000	0.6	*	*
10	BL106K0562+- -	630/250	5.6nF	4	12.7	10.2	5.2	5600	10,000	0.6	*	*
	BL106K0682+- -		6.8nF	4	12.7	10.2	5.2	5600	10,000	0.6	*	*
	BL106K0103+- -		10nF	4	12.7	10.2	5.2	5600	10,000	0.6	*	*
	BL106K0203+- -		20nF	5	12.7	13.6	5.2	5600	8000	0.6	*	*

Replace the + by the tolerance code: J=5% - K=10%

Replace the - - by the packaging suffix: - - = standard bulk - EN = taping on reel etc

⁽¹⁾: MOQ for standard bulk suffix - -

*: upon request



Pitch = 15mm

BL15

Pitch mm	Ordering Code	Vr-/Vr~	Cr	Case	Dimensions (mm)			MOQ		∅ +10% -0.5 mm	I ² t (A ² .sec)	I _{rms} (A)
					L max	H max	e max	Reel	Bulk ⁽¹⁾			
15	BL156F0154+-	160/100	150nF	6	17.7	10.6	5.2	4000	6000	0.8	2.38 x 10 ⁻³	0.673
15	BL156F0224+-		220nF	8	17.7	13.6	6.7	3332	6000	0.8	3.43 x 10 ⁻³	0.95
15	BL156F0334+-		330nF	8	17.7	13.6	6.7	3332	6000	0.8	1.15 x 10 ⁻²	1.465
15	BL156F0474+-		470nF	9	17.7	14.6	8.7	2500	8000	0.8	2.34 x 10 ⁻²	2.059
15	BL156F0684+-		680nF	10	17.7	16.6	10.2		3600	0.8	4.89 x 10 ⁻²	3.009
15	BL156F0754+-		750nF	10	17.7	16.6	10.2		3600	0.8	5.95 x 10 ⁻²	3.287
15	BL156G0623+-	250/160	62nF	6	17.7	10.6	5.2	4000	6000	0.8	1.11 x 10 ⁻³	0.485
15	BL156G0683+-		68nF	6	17.7	10.6	5.2	4000	6000	0.8	1.33 x 10 ⁻³	0.485
15	BL156G0104+-		100nF	8	17.7	13.6	6.7	3332	6000	0.8	2.38 x 10 ⁻³	0.727
15	BL156G0154+-		150nF	8	17.7	13.6	6.7	3332	6000	0.8	5.36 x 10 ⁻³	1.067
15	BL156G0224+-		220nF	9	17.7	14.6	8.7	2500	8000	0.8	1.51 x 10 ⁻²	1.552
15	BL156G0334+-		330nF	10	17.7	16.6	10.2		3600	0.8	2.59 x 10 ⁻²	2.376
15	BL156G0434+-	430nF	10	17.7	16.6	10.2		3600	0.8	4.40 x 10 ⁻²	3.055	
15	BL156I0513+-	400/200	51nF	6	17.7	10.6	5.2	4000	6000	0.8	1.59 x 10 ⁻³	0.388
15	BL156I0683+-		68nF	6	17.7	10.6	5.2	4000	6000	0.8	2.83 x 10 ⁻³	0.533
15	BL156I0104+-		100nF	8	17.7	13.6	6.7	3332	6000	0.8	6.12 x 10 ⁻³	0.824
15	BL156I0154+-		150nF	8	17.7	13.6	6.7	3332	6000	0.8	1.38 x 10 ⁻²	1.212
15	BL156I0224+-		220nF	9	17.7	14.6	8.7	2500	8000	0.8	2.96 x 10 ⁻²	1.794
15	BL156I0334+-		330nF	10	17.7	16.6	10.2		3600	0.8	6.66 x 10 ⁻²	2.667
15	BL156I0394+-	390nF	10	17.7	16.6	10.2		3600	0.8	9.31 x 10 ⁻²	3.152	
15	BL156K0303+-	630/250	30nF	6	17.7	10.6	5.2	4000	6000	0.8	9.79 x 10 ⁻⁴	0.392
15	BL156K0333+-		33nF	6	17.7	10.6	5.2	4000	6000	0.8	1.18 x 10 ⁻³	0.392
15	BL156K0473+-		47nF	8	17.7	13.6	6.7	3332	6000	0.8	2.40 x 10 ⁻³	0.56
15	BL156K0683+-		68nF	8	17.7	13.6	6.7	3332	6000	0.8	5.03 x 10 ⁻³	0.84
15	BL156K0104+-		100nF	9	17.7	14.6	8.7	2500	8000	0.8	1.09 x 10 ⁻²	1.232
15	BL156K0154+-		150nF	9	17.7	14.6	8.7	2500	8000	0.8	2.45 x 10 ⁻²	1.848
15	BL156K0224+-	220nF	10	17.7	16.6	10.2		3600	0.8	5.27 x 10 ⁻²	2.744	
15	BL156L0102+-	1000/350	1nF	6	17.7	10.6	5.2	4000	6000	0.8	8.47 x 10 ⁻⁶	0.23
15	BL156L0222+-		2.2nF	6	17.7	10.6	5.2	4000	6000	0.8	2.62 x 10 ⁻⁵	0.343
15	BL156L0332+-		3.3nF	8	17.7	13.6	6.7	3332	6000	0.8	4.10 x 10 ⁻⁵	0.376
15	BL156L0472+-		4.7nF	8	17.7	13.6	6.7	3332	6000	0.8	8.31 x 10 ⁻⁵	0.501
15	BL156L0682+-		6.8nF	8	17.7	13.6	6.7	3332	6000	0.8	1.74 x 10 ⁻⁴	0.751
15	BL156L0103+-		10nF	8	17.7	13.6	6.7	3332	6000	0.8	3.76 x 10 ⁻⁴	1.064
15	BL156L0153+-	15nF	9	17.7	14.6	8.7	2500	8000	0.8	5.42 x 10 ⁻⁴	1.12	
15	BL156L0223+-	22nF	9	17.7	14.6	8.7	2500	8000	0.8	1.17 x 10 ⁻³	1.68	
15	BL156L0333+-	33nF	10	17.7	16.6	10.2		3600	0.8	2.62 x 10 ⁻³	2.52	
15	BL156M0102+-	1600/400	1nF	6	17.7	10.6	5.2	4000	6000	0.8	8.47 x 10 ⁻⁶	0.153
15	BL156M0222+-		2.2nF	6	17.7	10.6	5.2	4000	6000	0.8	2.62 x 10 ⁻⁵	0.374
15	BL156M0332+-		3.3nF	8	17.7	13.6	6.7	3332	6000	0.8	4.92 x 10 ⁻⁵	0.413
15	BL156M0472+-		4.7nF	8	17.7	13.6	6.7	3332	6000	0.8	9.98 x 10 ⁻⁵	0.551
15	BL156M0682+-		6.8nF	8	17.7	13.6	6.7	3332	6000	0.8	2.09 x 10 ⁻⁴	0.826
15	BL156M0103+-		10nF	9	17.7	14.6	8.7	2500	8000	0.8	4.52 x 10 ⁻⁴	1.24
15	BL156M0153+-	15nF	10	17.7	16.6	10.2		3600	0.8	1.02 x 10 ⁻³	1.86	
15	BL156M0183+-	18nF	10	17.7	16.6	10.2		3600	0.8	1.46 x 10 ⁻³	2.204	
15	BL156N0102+-	2000/500	1nF	6	17.7	10.6	5.2	4000	6000	0.8	8.47 x 10 ⁻⁶	0.153
15	BL156N0222+-		2.2nF	8	17.7	13.6	6.7	3332	6000	0.8	4.10 x 10 ⁻⁵	0.383
15	BL156N0332+-		3.3nF	8	17.7	13.6	6.7	3332	6000	0.8	9.22 x 10 ⁻⁵	0.613
15	BL156N0472+-		4.7nF	8	17.7	13.6	6.7	3332	6000	0.8	1.87 x 10 ⁻⁴	0.92
15	BL156N0682+-		6.8nF	9	17.7	14.6	8.7	2500	8000	0.8	3.92 x 10 ⁻⁴	1.304
15	BL156N0912+-		9.1nF	10	17.7	16.6	10.2		3600	0.8	7.01 x 10 ⁻⁴	1.764

Replace the + by the tolerance code: J=5% - K=10%

Replace the - - by the packaging suffix: - - = standard bulk - EN = taping on reel etc

⁽¹⁾: MOQ for standard bulk suffix - -

Pitch = 22.5mm

BL22

Pitch mm	Ordering Code	Vr-/Vr~	Cr	Case	Dimensions (mm)			MOQ Bulk	∅ +10% -0.5 mm	I ² t (A ² .sec)	I _{rms} (A)	
					L max	H max	e max					
22.5	BL226F0824+-	160/100	820nF	12	26.7	17.6	7.7	1600	0.8	5.64 x 10 ⁻²	2.019	
22.5	BL226F0105+-		1µF	12	26.7	17.6	7.7	1600	0.8	8.40 x 10 ⁻²	2.455	
22.5	BL226F0155+-		1.5µF	13	26.7	19.6	10.2	1200	0.8	1.89 x 10 ⁻¹	3.722	
22.5	BL226F0225+-		2.2µF	23	26.7	21.6	12.7	960	0.8	4.06 x 10 ⁻¹	5.425	
22.5	BL226F0335+-		3.3µF	24	26.7	25.6	15.2	1600	0.8	9.14 x 10 ⁻¹	8.157	
22.5	BL226F0365+-		3.6µF	24	26.7	25.6	15.2	1600	0.8	1.09 x 100	8.91	
22.5	BL226G0474+-	250/160	470nF	12	26.7	17.6	7.7	1600	0.8	4.04 x 10 ⁻²	2.037	
22.5	BL226G0684+-		680nF	13	26.7	19.6	10.2	1200	0.8	8.45 x 10 ⁻²	2.91	
22.5	BL226G0105+-		1µF	23	26.7	21.6	12.7	960	0.8	1.83 x 10 ⁻¹	4.316	
22.5	BL226G0155+-		1.5µF	24	26.7	25.6	15.2	1600	0.8	4.11 x 10 ⁻¹	6.45	
22.5	BL226G0185+-		1.8µF	24	26.7	25.6	15.2	1600	0.8	5.92 x 10 ⁻¹	7.711	
22.5	BL226G0434+-		400/200	430nF	12	26.7	17.6	7.7	1600	0.8	6.00 x 10 ⁻²	1.94
22.5	BL226G0474+-	470nF		12	26.7	17.6	7.7	1600	0.8	7.17 x 10 ⁻²	2.134	
22.5	BL226G0684+-	680nF		13	26.7	19.6	10.2	1200	0.8	1.50 x 10 ⁻¹	3.104	
22.5	BL226G0105+-	1µF		23	26.7	21.6	12.7	960	0.8	3.25 x 10 ⁻¹	4.559	
22.5	BL226G0155+-	1.5µF		24	26.7	25.6	15.2	1600	0.8	7.31 x 10 ⁻¹	6.79	
22.5	BL226G0165+-	1.6µF		24	26.7	25.6	15.2	1600	0.8	8.31 x 10 ⁻¹	7.275	
22.5	BL226K0244+-	630/250	240nF	12	26.7	17.6	7.7	1600	0.8	3.33 x 10 ⁻²	1.68	
22.5	BL226K0334+-		330nF	13	26.7	19.6	10.2	1200	0.8	6.29 x 10 ⁻²	2.296	
22.5	BL226K0474+-		470nF	23	26.7	21.6	12.7	960	0.8	1.28 x 10 ⁻¹	3.304	
22.5	BL226K0684+-		680nF	24	26.7	25.6	15.2	1600	0.8	2.67 x 10 ⁻¹	4.76	
22.5	BL226K0105+-		1µF	24	26.7	25.6	15.2	1600	0.8	5.77 x 10 ⁻¹	7	
22.5	BL226L0822+-		1000/350	8.2nF	11	26.7	15.2	7.7	1600	0.8	2.14 x 10 ⁻⁴	0.482
22.5	BL226L0103+-	10nF		11	26.7	15.2	7.7	1600	0.8	3.18 x 10 ⁻⁴	0.62	
22.5	BL226L0223+-	22nF		11	26.7	15.2	7.7	1600	0.8	1.28 x 10 ⁻³	1.127	
22.5	BL226L0333+-	33nF		11	26.7	15.2	7.7	1600	0.8	1.84 x 10 ⁻³	1.232	
22.5	BL226L0473+-	47nF		13	26.7	19.6	10.2	1200	0.8	3.74 x 10 ⁻³	1.736	
22.5	BL226L0683+-	68nF		13	26.7	19.6	10.2	1200	0.8	7.82 x 10 ⁻³	2.52	
22.5	BL226L0104+-	100nF		23	26.7	21.6	12.7	960	0.8	1.69 x 10 ⁻²	3.696	
22.5	BL226L0124+-	120nF		23	26.7	21.6	12.7	960	0.8	2.44 x 10 ⁻²	4.424	
22.5	BL226M0103+-	1600/400		10nF	11	26.7	15.2	7.7	1600	0.8	3.82 x 10 ⁻⁴	0.686
22.5	BL226M0223+-			22nF	11	26.7	15.2	7.7	1600	0.8	1.54 x 10 ⁻³	1.377
22.5	BL226M0333+-		33nF	13	26.7	19.6	10.2	1200	0.8	3.46 x 10 ⁻³	2.066	
22.5	BL226M0473+-		47nF	23	26.7	21.6	12.7	960	0.8	7.03 x 10 ⁻³	2.893	
22.5	BL226M0623+-		62nF	23	26.7	21.6	12.7	960	0.8	1.22 x 10 ⁻²	3.857	
22.5	BL226N0302+-		2000/500	3nF	11	26.7	15.2	7.7	1600	0.8	5.37 x 10 ⁻⁵	0.307
22.5	BL226N0332+-	3.3nF		11	26.7	15.2	7.7	1600	0.8	6.50 x 10 ⁻⁵	0.307	
22.5	BL226N0472+-	4.7nF		11	26.7	15.2	7.7	1600	0.8	1.32 x 10 ⁻⁴	0.46	
22.5	BL226N0682+-	6.8nF		11	26.7	15.2	7.7	1600	0.8	2.76 x 10 ⁻⁴	0.613	
22.5	BL226N0103+-	10nF		11	26.7	15.2	7.7	1600	0.8	5.96 x 10 ⁻⁴	0.92	
22.5	BL226N0223+-	22nF		13	26.7	19.6	10.2	1200	0.8	2.89 x 10 ⁻³	2.07	
22.5	BL226N0333+-	33nF		23	26.7	21.6	12.7	960	0.8	6.50 x 10 ⁻³	3.144	
22.5	BL226N0363+-	36nF		23	26.7	21.6	12.7	960	0.8	7.73 x 10 ⁻³	3.451	

Replace the + by the tolerance code: J=5% - K=10%
 Replace the - - by the packaging suffix: - - = standard bulk - EN = taping on reel etc

Pitch = 27.5mm

BL27

Pitch mm	Ordering Code	Vr-/Vr~	Cr	Case	Dimensions (mm)			MOQ Bulk	∅ +10% -0.5 mm	I ² t (A ² .sec)	I _{rms} (A)
					L max	H max	e max				
27.5	BL276F0165+-	160/100	1.6µF	16	31.7	19.6	10.2	960	0.8	1.40 x 10 ⁻¹	2.93
27.5	BL276F0225+-		2.2µF	P0	31.7	22.6	13.7	1600	0.8	2.65 x 10 ⁻¹	4.039
27.5	BL276F0335+-		3.3µF	18	31.7	26.2	15.2	1280	0.8	5.96 x 10 ⁻¹	6.058
27.5	BL276F0475+-		4.7µF	18	31.7	26.2	15.2	1280	0.8	1.21 x 10 ⁻³	8.593
27.5	BL276F0685+-		6.8µF	19	31.7	30.2	17.7	1040	0.8	2.53 x 10 ⁻³	12.473
27.5	BL276G0914+-	250/160	910nF	16	31.7	19.6	10.2	960	0.8	9.34 x 10 ⁻³	3.055
27.5	BL276G0105+-		1µF	16	31.7	19.6	10.2	960	0.8	1.13 x 10 ⁻²	3.395
27.5	BL276G0225+-		2.2µF	P0	31.7	22.6	13.7	1600	0.8	4.14 x 10 ⁻²	7.084
27.5	BL276G0335+-		3.3µF	18	31.7	26.2	15.2	1280	0.8	9.31 x 10 ⁻²	10.625
27.5	BL276G0475+-		4.7µF	19	31.7	30.2	17.7	1040	0.8	1.89 x 10 ⁻⁰	12.485
27.5	BL276I0754+-	400/200	750nF	16	31.7	19.6	10.2	960	0.8	1.10 x 10 ⁻¹	2.522
27.5	BL276I0105+-		1µF	16	31.7	19.6	10.2	960	0.8	1.95 x 10 ⁻¹	3.346
27.5	BL276I0225+-		2.2µF	18	31.7	26.2	15.2	1280	0.8	9.46 x 10 ⁻¹	7.42
27.5	BL276I0305+-		3µF	19	31.7	30.2	17.7	1040	0.8	1.76 x 10 ⁻⁰	10.087
27.5	BL276K0434+-	630/250	430nF	16	31.7	19.6	10.2	960	0.8	6.42 x 10 ⁻²	2.352
27.5	BL276K0474+-		470nF	16	31.7	19.6	10.2	960	0.8	7.68 x 10 ⁻²	2.52
27.5	BL276K0684+-		680nF	P0	31.7	22.6	13.7	1600	0.8	1.61 x 10 ⁻¹	3.696
27.5	BL276K0105+-		1µF	18	31.7	26.2	15.2	1280	0.8	3.47 x 10 ⁻¹	5.432
27.5	BL276K0185+-		1.8µF	19	31.7	30.2	17.7	1040	0.8	1.13 x 10 ⁻⁰	9.744
27.5	BL276L0563+-	1000/350	56nF	16	31.7	19.6	10.2	960	0.8	4.30 x 10 ⁻³	2.00
27.5	BL276L0104+-		100nF	16	31.7	19.6	10.2	960	0.8	8.85 x 10 ⁻³	2.688
27.5	BL276L0224+-		220nF	18	31.7	26.2	15.2	1280	0.8	4.28 x 10 ⁻²	5.88
27.5	BL276L0334+-		330nF	19	31.7	30.2	17.7	1040	0.8	9.64 x 10 ⁻²	8.848
27.5	BL276L0364+-		360nF	19	31.7	30.2	17.7	1040	0.8	1.15 x 10 ⁻¹	9.632
27.5	BL276M0303+-	1600/400	30nF	16	31.7	19.6	10.2	960	0.8	1.79 x 10 ⁻³	1.44
27.5	BL276M0333+-		33nF	16	31.7	19.6	10.2	960	0.8	2.17 x 10 ⁻³	1.646
27.5	BL276M0473+-		47nF	16	31.7	19.6	10.2	960	0.8	4.40 x 10 ⁻³	2.332
27.5	BL276M0683+-		68nF	18	31.7	26.2	15.2	1280	0.8	9.21 x 10 ⁻³	3.361
27.5	BL276M0104+-		100nF	18	31.7	26.2	15.2	1280	0.8	1.99 x 10 ⁻²	4.938
27.5	BL276M0154+-		150nF	19	31.7	30.2	17.7	1040	0.8	4.48 x 10 ⁻²	7.339
27.5	BL276N0153+-		15nF	16	31.7	19.6	10.2	960	0.8	7.00 x 10 ⁻⁴	0.997
27.5	BL276N0223+-	22nF	16	31.7	19.6	10.2	960	0.8	1.51 x 10 ⁻³	1.534	
27.5	BL276N0333+-	33nF	16	31.7	19.6	10.2	960	0.8	3.39 x 10 ⁻³	2.3	
27.5	BL276N0473+-	47nF	18	31.7	26.2	15.2	1280	0.8	6.87 x 10 ⁻³	3.221	
27.5	BL276N0683+-	68nF	18	31.7	26.2	15.2	1280	0.8	1.44 x 10 ⁻²	4.678	
27.5	BL276N0104+-	100nF	19	31.7	30.2	17.7	1040	0.8	3.11 x 10 ⁻²	6.904	

Replace the + by the tolerance code: J=5% - K=10%

Replace the - - by the packaging suffix: - - = standard bulk - EN = taping on reel etc