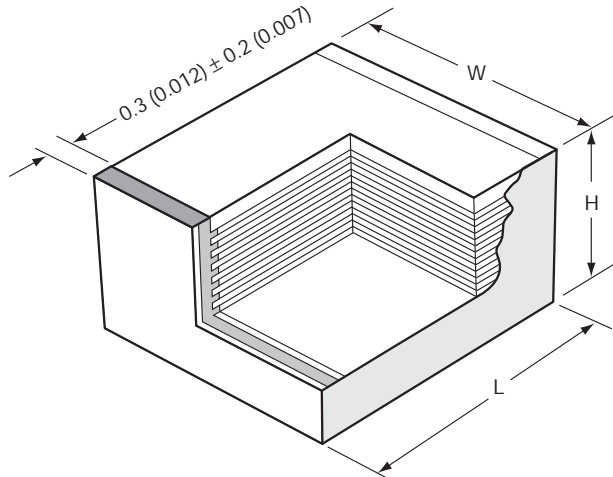


Film Chip Capacitors



HOW TO ORDER

CF 04 2 D 0334 J - -
 ① ② ③ ④ ⑤ ⑥ ⑦

- ① **Type**
- ② **Size Code:**
1 = 1206; 02 = 1210; 03 = 1812; 04 = 2220; 05 = 2824; 16 = 4030; 17 = 5040; 18 = 6054
- ③ **Dielectric Class:** 2 = PET
- ④ **Voltage Code**
50/63 V = D; 100 V = E; 160 V = F; 250 V = G
- ⑤ **Capacitance EIA Code**
1st digit: 0 (zero). 2nd & 3rd: 2nd significant figures of the capacitance value. 4th digit: number of zeros to be added to the capacitance value.
- ⑥ **Tolerance Code:** J = 5%; K = 10%
- ⑦ **Suffix**
- - = Bulk
BA = Taped on reel ø 180
BC = Taped on reel ø 330

Dimensions: millimeters (inches)

Size Code	01	02	03	04	05	16	17	18
Equivalent Size	1206	1210	1812	2220	2824	4030	5040	6054
Length (L)	mm 3.2 ± 0.3 (0.126 ± 0.012)	mm 3.2 ± 0.3 (0.126 ± 0.012)	mm 4.5 ± 0.5 (0.177 ± 0.020)	mm 5.7 ± 0.5 (0.224 ± 0.020)	mm 7.1 ± 0.5 (0.280 ± 0.020)	mm 10.2 ± 0.6 (0.401 ± 0.024)	mm 12.7 ± 0.6 (0.500 ± 0.024)	mm 15.2 ± 0.6 (0.598 ± 0.024)
Width (W)	mm 1.6 ± 0.3 (0.063 ± 0.012)	mm 2.5 ± 0.3 (0.098 ± 0.012)	mm 3.2 ± 0.5 (0.126 ± 0.020)	mm 5.0 ± 0.5 (0.197 ± 0.020)	mm 6.1 ± 0.5 (0.240 ± 0.020)	mm 7.6 ± 0.8 (0.299 ± 0.031)	mm 10.2 ± 0.8 (0.401 ± 0.031)	mm 13.7 ± 0.8 (0.539 ± 0.031)

Capacitance and Voltage Range: Case Sizes 1206 and 1210

millimeters (inches)

Capacitance	Capacitance Code	DC Rated Voltage (105°C / 125°C)					
		25 V / 19 V		50 V / 38 V		100 V / 75 V	
		Size Code	H max	Size Code	H max	Size Code	H max
1 nF	0102	01	1.1 (0.043)	01	1.1 (0.043)	01	1.1 (0.043)
1.5	0152	01	1.1 (0.043)	01	1.1 (0.043)	01	1.1 (0.043)
2.2	0222	01	1.1 (0.043)	01	1.1 (0.043)	01	1.1 (0.043)
3.3	0332	01	1.1 (0.043)	01	1.1 (0.043)	01	1.1 (0.043)
4.7	0472	01	1.1 (0.043)	01	1.1 (0.043)	01	1.3 (0.051)
6.8	0682	01	1.1 (0.043)	01	1.1 (0.043)	02	1.6 (0.063)
10	0103	01	1.3 (0.051)	01	1.3 (0.051)	02	1.6 (0.063)
15	0153	01	1.3 (0.051)	02	1.8 (0.071)	02	1.8 (0.071)
22	0223	01	1.3 (0.051)	02	2.2 (0.087)	02	2.2 (0.087)
33	0333	02	2.2 (0.087)	02	2.2 (0.087)		
47	0473	02	1.8 (0.071)		1.8 (0.071)		
68	0683	02	2.2 (0.087)				
100	0104	02	2.2 (0.087)				

Capacitance and Voltage Range: Case Sizes 1812 to 6054

millimeters (inches)

Capacitance	Capacitance Code	DC Rated Voltage (105°C / 125°C)							
		63 V / 47 V		100 V / 75 V		160 V / 120 V		250 V / 187 V	
		Size Code	H max	Size Code	H max	Size Code	H max	Size Code	H max
1 nF	0102	03	1.5 (0.059)	03	1.5 (0.059)	03	1.5 (0.059)	03	1.5 (0.059)
1.5	0152	03	1.5 (0.059)	03	1.5 (0.059)	03	1.5 (0.059)	03	1.5 (0.059)
2.2	0222	03	1.5 (0.059)	03	1.5 (0.059)	03	1.5 (0.059)	03	1.5 (0.059)
3.3	0332	03	1.5 (0.059)	03	1.5 (0.059)	03	1.5 (0.059)	03	1.5 (0.059)
4.7	0472	03	1.5 (0.059)	03	1.5 (0.059)	03	1.5 (0.059)	03	1.5 (0.059)
6.8	0682	03	1.5 (0.059)	03	1.5 (0.059)	03	1.5 (0.059)	03	1.5 (0.059)
10	0103	03	1.5 (0.059)	03	1.5 (0.059)	03	1.5 (0.059)	03	1.5 (0.059)
15	0153	03	1.5 (0.059)	03	1.5 (0.059)	03	1.5 (0.059)	03	2.5 (0.098)
22	0223	03	1.5 (0.059)	03	1.5 (0.059)	03	2.0 (0.079)	04	2.0 (0.079)
33	0333	03	1.5 (0.059)	03	1.5 (0.059)	03	2.5 (0.098)	04	2.0 (0.079)
47	0473	03	2.0 (0.079)	03	2.0 (0.079)	04	2.1 (0.083)	04	3.0 (0.118)
68	0683	03	2.0 (0.079)	03	3.0 (0.118)	04	3.0 (0.118)	04	4.0 (0.157)
100	0104	03	2.0 (0.079)	03	3.0 (0.118)	04	3.4 (0.134)	05	3.6 (0.142)
150	0154	03	2.5 (0.098)	04	3.0 (0.118)	05	5.1 (0.201)	05	5.1 (0.201)
220	0224	03	3.0 (0.118)	04	4.5 (0.177)	05	5.0 (0.197)	16	3.8 (0.150)
330	0334	04	3.4 (0.134)	04	4.5 (0.177)	16	3.8 (0.150)	16	5.8 (0.228)
470	0474	04	4.0 (0.157)	05	5.4 (0.213)	17	3.8 (0.150)	17	4.6 (0.181)
680	0684	04	4.5 (0.177)	05	5.1 (0.201)	17	4.6 (0.181)	18	4.4 (0.173)
1 µF	0105	05	5.0 (0.197)	16	4.8 (0.189)	18	4.4 (0.173)	18	5.7 (0.224)
1.5	0155	17	4.6 (0.181)	17	4.6 (0.181)	18	6.2 (0.244)		
2.2	0225	17	5.5 (0.217)	17	5.5 (0.217)				
3.3	0335	18	6.2 (0.244)	18	6.2 (0.244)				
4.7	0475	18	7.0 (0.276)	18	7.0 (0.276)				

Additional information on this product is available from AVX's catalog or AVX's FAX Service. Call 1-800-879-1613 and request document #079. Visit our website <http://www.avxcorp.com>

