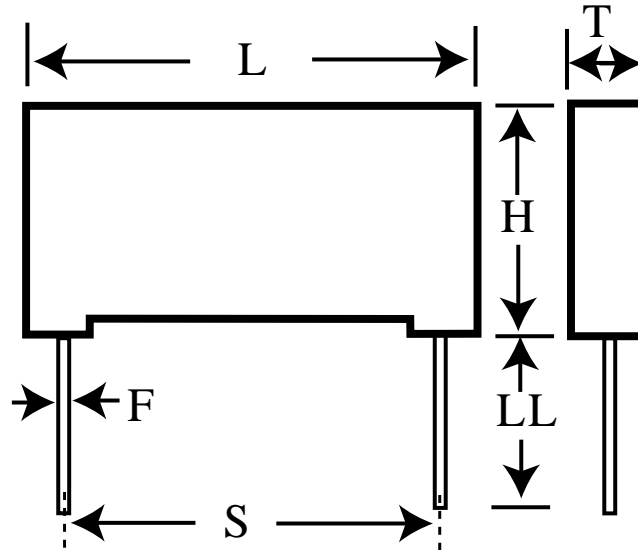


PHE426KD6680JR06L2

aka F426DM684J400C PHE426KD6680JD15R06L2

Capacitor, film, 0.68 μ F, +/-5% Tol, -55/+105C, Pulse, 400V@85C,
Lead Spacing=22.5 mm



Dimensions (mm)

ID	Dimension	Tolerance
L	26	max
H	18.5	max
T	9	max
S	22.5	+/-0.4
LL	6	nom
F	0.8	nom

Specifications

Manufacturer:	KEMET
Brand:	Rifa
Capacitance:	0.68 μ F
Temperature Range:	-55/+105C
Rated Temperature:	85C
Voltage @ rated temp:	400V
Voltage AC:	220VAC
Tolerance:	+/-5%
Body Type:	Radial Box
Construction:	Non-inductive
Application:	Pulse
Sub Application:	HighFrequency
Dielectric:	Metallized Polypropylene
Dissipation Factor @ 1 kHz:	0.05%
Dissipation Factor @ 10 kHz:	0.1%
Insulation Resistance:	44.12 GOhm
Inductance:	6 nH
Maximum dVdT:	150v/us
Miscellaneous Electrical:	IEC 60384-16, 1.1; Rthha [85C/2.m/s] = 48 C/W series(PHE426)
Package Kind:	Bulk
Package Type:	Tray
Package Quantity:	308