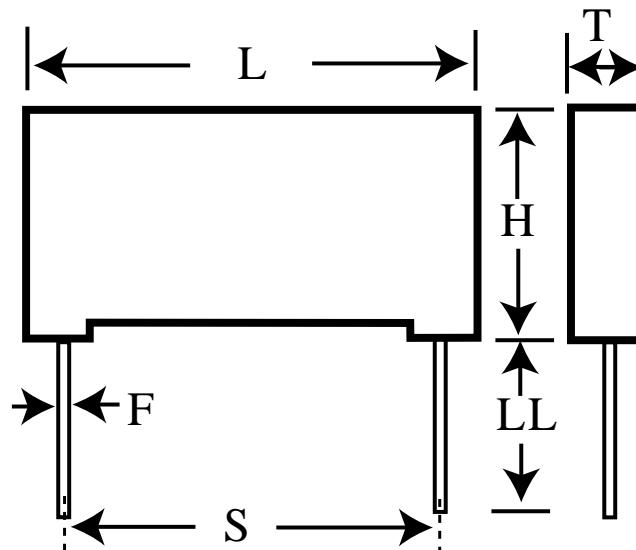


# MMK5154J100J02L16.5TA18

aka F601JJ154J100R MMK5154J100J02L16,5TA18

Capacitor, film, 0.15  $\mu$ F, +/-5% Tol, -55/+100C, DC General Purpose, 100V@85C, Lead Spacing=5 mm



## Dimensions (mm)

ID	Dimension	Tolerance
L	7.2	max
H	8	max
T	3.5	max
S	5	+/-0.4
LL	16.5	nom
F	0.5	nom

## Specifications

Manufacturer:	KEMET
Brand:	Evox
Capacitance:	0.15 $\mu$ F
Temperature Range:	-55/+100C
Rated Temperature:	85C
Voltage @ rated temp:	100V
Voltage AC:	63VAC
Tolerance:	+/-5%
Body Type:	Radial Box
Construction:	Non-inductive
Application:	DC General Purpose
Dielectric:	Metallized Polyester
Dissipation Factor @ 1 kHz:	0.8%
Dissipation Factor @ 10 kHz:	1.2%
Dissipation Factor @ 100kHz:	3%
Insulation Resistance:	15 GOhm
Inductance:	6 nH
Maximum dVdT:	30v/us
Miscellaneous Electrical:	CECC 30401-042, IEC 60384-2, DIN 44122 series(MMK)
Package Kind:	Ammo
Package Quantity:	4000