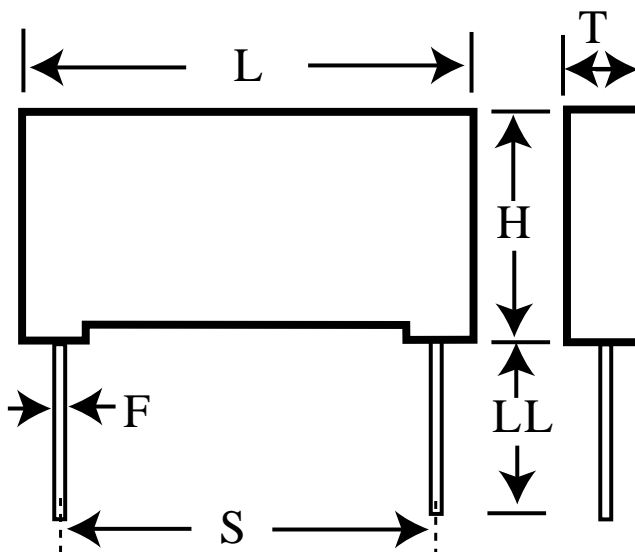


SMR15154J400B06L4BULK

aka F211BL154J400C

Capacitor, film, 0.15 μ F, +/-5% Tol, -55/+150C, DC General Purpose, 400V@125C, Lead Spacing=15 mm



Dimensions (mm)

ID	Dimension	Tolerance
L	18	max
H	14.5	max
T	7.5	max
S	15	+/-0.4
LL	5	nom
F	0.8	nom

Specifications

Manufacturer:	KEMET
Brand:	Evovx
Capacitance:	0.15 μ F
Temperature Range:	-55/+150C
Rated Temperature:	125C
Voltage @ rated temp:	400V
Voltage AC:	200VAC
Tolerance:	+/-5%
Body Type:	Radial Box
Construction:	Non-inductive
Application:	DC General Purpose
Dielectric:	Metallized Polyphenylene Sulphide
Dissipation Factor @ 1 kHz:	0.15%
Dissipation Factor @ 10 kHz:	0.25%
Insulation Resistance:	30 GOhm
Maximum dVdT:	15v/us
Miscellaneous Electrical:	SMR
Package Kind:	Bulk
Package Quantity:	800