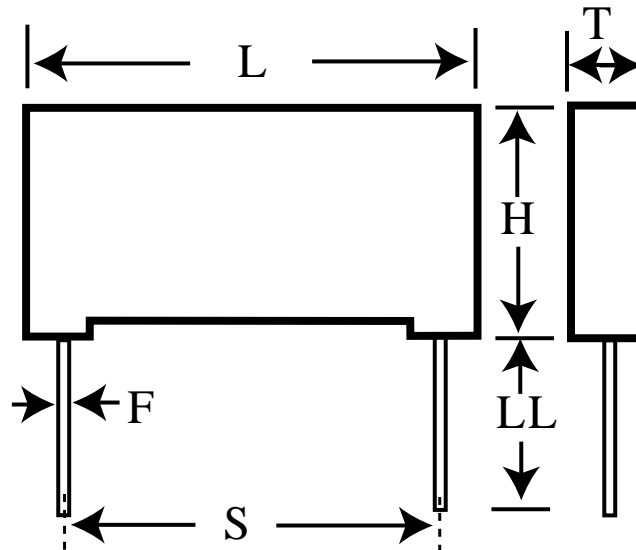


PHE450MD6150JR06L2

aka F450DF154J630C

Capacitor, film, 0.15 μ F, +/-5% Tol, -55/+105C, Pulse, 630V@85C,
Lead Spacing=22.5 mm



Dimensions (mm)

ID	Dimension	Tolerance
L	26	max
H	16.5	max
T	7	max
S	22.5	+/-0.4
LL	6	nom
F	0.8	nom

Specifications

Manufacturer:	KEMET
Brand:	Rifa
Capacitance:	0.15 μ F
Temperature Range:	-55/+105C
Rated Temperature:	85C
Voltage @ rated temp:	630V
Voltage AC:	400VAC
Tolerance:	+/-5%
Body Type:	Radial Box
Construction:	Double Metallized
Application:	Pulse
Sub Application:	HighCurrent
Dielectric:	Metallized Polypropylene
Dissipation Factor @ 1 kHz:	0.03%
Dissipation Factor @ 10 kHz:	0.06%
Insulation Resistance:	100 GOhm
Inductance:	6 nH
Maximum dVdT:	1800v/us
Miscellaneous Electrical:	IEC 60384-17, Gr. 1.1; series(PHE450)
Package Kind:	Bulk
Package Type:	Tray
Package Quantity:	216