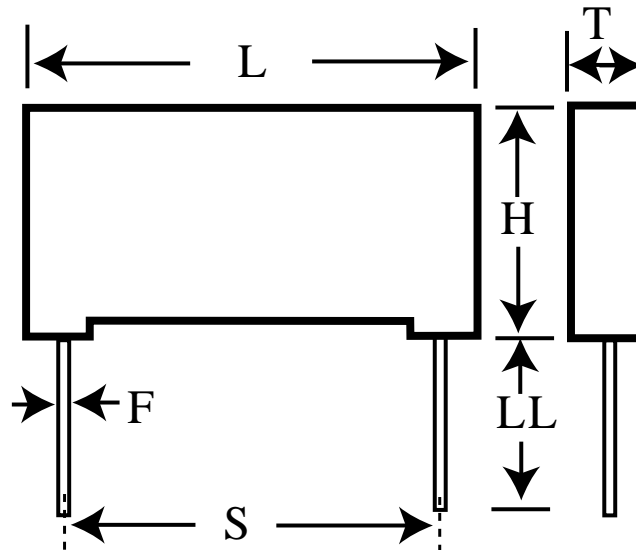


# PHE426DJ5820JR05

aka F426JQ823J100C PHE426DJ5820JJ04R05

Capacitor, film, 0.082  $\mu$ F, +/-5% Tol, -55/+105C, Pulse, 100V@85C,  
Lead Spacing=5 mm



## Dimensions (mm)

ID	Dimension	Tolerance
L	7.2	max
H	10	max
T	5	max
S	5	+/-0.4
LL	5	nom
F	0.5	nom

## Specifications

Manufacturer:	KEMET
Brand:	Rifa
Capacitance:	0.082 $\mu$ F
Temperature Range:	-55/+105C
Rated Temperature:	85C
Voltage @ rated temp:	100V
Voltage AC:	63VAC
Tolerance:	+/-5%
Body Type:	Radial Box
Construction:	Non-inductive
Application:	Pulse
Sub Application:	HighFrequency
Dielectric:	Metallized Polypropylene
Dissipation Factor @ 1 kHz:	0.05%
Dissipation Factor @ 100kHz:	0.25%
Insulation Resistance:	100 GOhm
Inductance:	6 nH
Maximum dVdT:	100v/us
Miscellaneous Electrical:	IEC 60384-16, 1.1; Rthha [85C/2.m/s] = 230 C/W series(PHE426)
Package Kind:	Bulk
Package Quantity:	1000