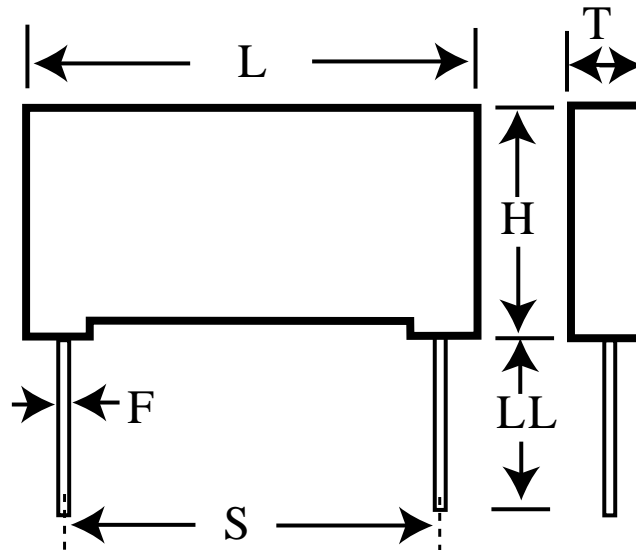


# PHE426HR8100JR06L2

aka F426RK106J250C PHE426HR8100JR02R06L2

Capacitor, film, 10 uF, +/-5% Tol, -55/+105C, Pulse, 250V@85C, Lead Spacing=37.5 mm



## Dimensions (mm)

| ID | Dimension | Tolerance |
|----|-----------|-----------|
| L  | 41        | max       |
| H  | 32        | max       |
| T  | 16.5      | max       |
| S  | 37.5      | +/-0.5    |
| LL | 6         | nom       |
| F  | 1         | nom       |

## Specifications

|                                    |  |
|------------------------------------|--|
| <b>Manufacturer:</b>               | KEMET  |
| <b>Brand:</b>                      | Rifa   |
| <b>Capacitance:</b>                | 10 uF  |
| <b>Temperature Range:</b>          | -55/+105C  |
| <b>Rated Temperature:</b>          | 85C  |
| <b>Voltage @ rated temp:</b>       | 250V   |
| <b>Voltage AC:</b>                 | 160VAC   |
| <b>Tolerance:</b>                  | +/-5%  |
| <b>Body Type:</b>                  | Radial Box   |
| <b>Construction:</b>               | Non-inductive  |
| <b>Application:</b>                | Pulse  |
| <b>Sub Application:</b>            | HighFrequency  |
| <b>Dielectric:</b>                 | Metallized Polypropylene                                     |
| <b>Dissipation Factor @ 1 kHz:</b> | 0.1%   |
| <b>Insulation Resistance:</b>      | 3 GOhm   |
| <b>Inductance:</b>                 | 6 nH   |
| <b>Maximum dVdT:</b>               | 30v/us   |
| <b>Miscellaneous Electrical:</b>   | IEC 60384-16, 1.1; Rthha [85C/2.m/s] = 21 C/W series(PHE426) |
| <b>Package Kind:</b>               | Bulk   |
| <b>Package Type:</b>               | Tray   |
| <b>Package Quantity:</b>           | 105  |