

Stacked Metallized Plastic Film Capacitors

Type: **ECQV(L)/(M)**

Designed for high density insertion applications.



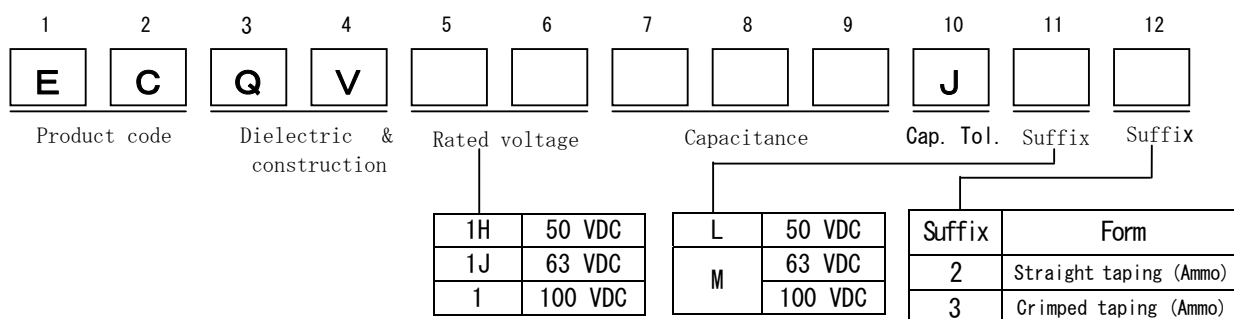
■Features

- Small size and large capacitance
- Excellent electric characteristics in non-inductive construction
- Wide range for automatic insertion
- RoHS directive compliant

■Recommended Applications

- General purpose
- Noise suppression for logic circuit

■Explanation of Part Numbers

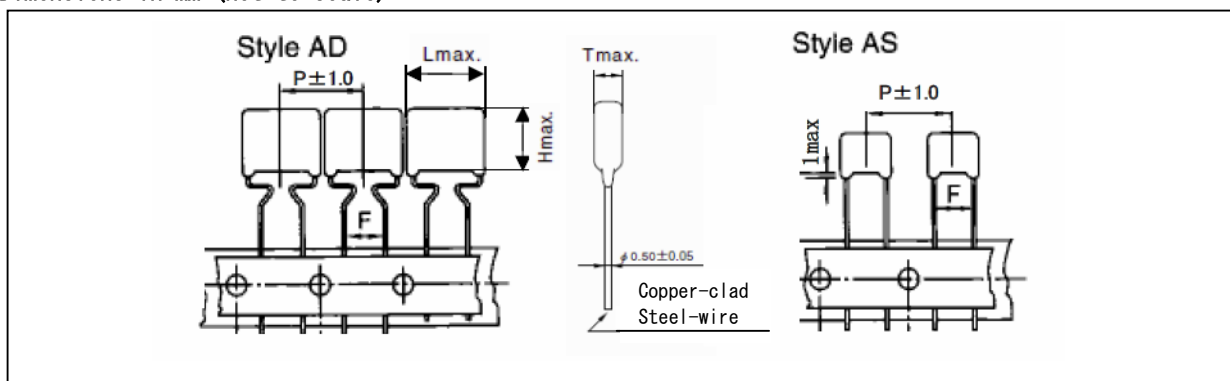


■Specifications

Category temp. range (Including temperature-rise on unit surface)	-40 °C to +105 °C
Rated voltage	50 VDC, 63 VDC, 100 VDC (Derating of rated voltage by 2.5%/°C at more than 85 °C)
Capacitance range	0.010 μF to 2.2 μF (E12)
Capacitance tolerance	±5 % (J)
Dissipation factor (tan δ)	tan δ ≤ 1.0 % (20°C, 1kHz)
Withstand voltage	Between terminals : Rated voltage(VDC) × 150 % 60 s
Insulation resistance (IR)	C ≤ 0.33 μF : IR ≥ 3000 MΩ (20 °C, 50 VDC, 60 s ECQV1H, ECQV1J) C > 0.33 μF : IR ≥ 1000 MΩ · μF (20 °C, 100 VDC, 60 s ECQV1)

*In case of applying voltage in alternating current (50 Hz or 60 Hz sine wave) to a capacitor with DC rated voltage, please refer to the page of "Permissible voltage (R. M. S) in alternating current corresponding to DC rated voltage".

■Dimensions in mm (not to scale)



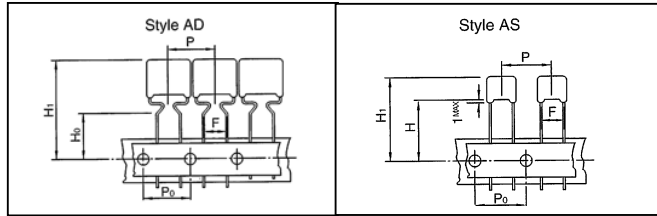
■Packaging Specification

Taping only

Design, Specifications are subject to change without notice. Ask factory for technical specifications before purchase and/or use. Whenever a doubt about safety arises from this product, please inform us immediately for technical consultation without fail.

■Taping Specifications for Automatic Insertion

●Taping style



*Refer to the page of taping specifications.

●Packaging Specifications

Type	Rated voltage	Cap. Range (μF)	Taping Style					Packing	
			AD	AS	B	C	D		E
ECQV(L)	50 VDC	0.010 to 2.2	○						Ammo
		0.010 to 1.0		○					Ammo
ECQV(M)	63 VDC	0.01 to 1.0	○						Ammo
		0.010 to 0.15		○					Ammo
	100 VDC	0.010 to 0.47	○						Ammo
		0.010 to 0.10		○					Ammo

●Lead Spacing

Style	Lead spacing
AD	5.0 mm
AS	5.0 mm

※See the column "Rating, Dimensions & Quantity Box" for packing quantity.

■Rating, Dimension & Quantity / Ammo Box or Reel

● Type ECQV(L) Rated voltage : 50 VDC

Part No.	Capacitance (μF)	Dimensions (mm)							Quantity
		L_{max}	T_{max}	H_{max}	$F+0.8/-0.2$		$P \pm 1.0$	$\phi d \pm 0.05$	
					Style AD	Style AS			
ECQV1H103JL ()	0.010	7.3	3.2	5.0	5.0	5.0	12.7	0.50	2000
ECQV1H123JL ()	0.012	7.3	3.2	5.0	5.0	5.0	12.7	0.50	
ECQV1H153JL ()	0.015	7.3	3.2	5.0	5.0	5.0	12.7	0.50	
ECQV1H183JL ()	0.018	7.3	3.2	5.0	5.0	5.0	12.7	0.50	
ECQV1H223JL ()	0.022	7.3	3.2	5.0	5.0	5.0	12.7	0.50	
ECQV1H273JL ()	0.027	7.3	3.2	5.0	5.0	5.0	12.7	0.50	
ECQV1H333JL ()	0.033	7.3	3.2	5.0	5.0	5.0	12.7	0.50	
ECQV1H393JL ()	0.039	7.3	3.2	5.0	5.0	5.0	12.7	0.50	
ECQV1H473JL ()	0.047	7.3	3.2	5.0	5.0	5.0	12.7	0.50	
ECQV1H563JL ()	0.056	7.3	3.2	5.0	5.0	5.0	12.7	0.50	
ECQV1H683JL ()	0.068	7.3	3.2	5.0	5.0	5.0	12.7	0.50	
ECQV1H823JL ()	0.082	7.3	3.6	5.0	5.0	5.0	12.7	0.50	
ECQV1H104JL ()	0.10	7.3	4.0	5.0	5.0	5.0	12.7	0.50	
ECQV1H124JL ()	0.12	7.3	4.0	5.0	5.0	5.0	12.7	0.50	
ECQV1H154JL ()	0.15	7.3	4.4	5.5	5.0	5.0	12.7	0.50	
ECQV1H184JL ()	0.18	7.3	4.5	5.5	5.0	5.0	12.7	0.50	
ECQV1H224JL ()	0.22	7.3	4.8	5.5	5.0	5.0	12.7	0.50	
ECQV1H274JL ()	0.27	7.3	4.6	7.0	5.0	5.0	12.7	0.50	
ECQV1H334JL ()	0.33	7.3	5.2	7.0	5.0	5.0	12.7	0.50	
ECQV1H394JL ()	0.39	7.3	5.7	7.3	5.0	5.0	12.7	0.50	
ECQV1H474JL ()	0.47	7.3	6.0	7.3	5.0	5.0	12.7	0.50	
ECQV1H564JL ()	0.56	7.3	5.8	10.0	5.0	5.0	12.7	0.50	
ECQV1H684JL ()	0.68	7.3	6.5	10.0	5.0	5.0	12.7	0.50	
ECQV1H824JL ()	0.82	7.3	6.8	10.0	5.0	5.0	12.7	0.50	
ECQV1H105JL ()	1.0	7.3	8.0	11.0	5.0	5.0	12.7	0.50	
ECQV1H125JL ()	1.2	10.2	6.5	10.0	5.0	-	12.7	0.50	
ECQV1H155JL ()	1.5	10.2	7.2	10.0	5.0	-	12.7	0.50	
ECQV1H185JL ()	1.8	10.2	7.2	12.0	5.0	-	12.7	0.50	
ECQV1H225JL ()	2.2	10.2	7.9	12.0	5.0	-	12.7	0.50	

↑ Suffix for taped type

■ Rating, Dimension & Quantity / Ammo Box or Reel

● Type ECQV(L) Rated voltage : 63 VDC

Part No.	Capacitance (μ F)	Dimensions (mm)							Quantity
		L _{max}	T _{max}	H _{max}	F+0.8/-0.2		P±1.0	φd±0.05	Ammo
					Style AD	Style AS			
ECQV1J103JM ()	0.010	7.5	3.2	6.8	5.0	5.0	12.7	0.50	2,000
ECQV1J123JM ()	0.012	7.5	3.2	6.8	5.0	5.0	12.7	0.50	
ECQV1J153JM ()	0.015	7.5	3.2	6.8	5.0	5.0	12.7	0.50	
ECQV1J183JM ()	0.018	7.5	3.2	6.8	5.0	5.0	12.7	0.50	
ECQV1J223JM ()	0.022	7.5	3.2	6.8	5.0	5.0	12.7	0.50	
ECQV1J273JM ()	0.027	7.5	3.2	6.8	5.0	5.0	12.7	0.50	
ECQV1J333JM ()	0.033	7.5	3.2	6.8	5.0	5.0	12.7	0.50	
ECQV1J393JM ()	0.039	7.5	3.2	6.8	5.0	5.0	12.7	0.50	
ECQV1J473JM ()	0.047	7.5	3.2	6.8	5.0	5.0	12.7	0.50	
ECQV1J563JM ()	0.056	7.5	3.2	6.8	5.0	5.0	12.7	0.50	
ECQV1J683JM ()	0.068	7.5	3.2	6.8	5.0	5.0	12.7	0.50	
ECQV1J823JM ()	0.082	7.5	3.2	6.8	5.0	5.0	12.7	0.50	
ECQV1J104JM ()	0.10	7.5	3.2	7.0	5.0	5.0	12.7	0.50	
ECQV1J124JM ()	0.12	7.5	3.8	7.0	5.0	5.0	12.7	0.50	
ECQV1J154JM ()	0.15	7.5	4.1	7.0	5.0	5.0	12.7	0.50	
ECQV1J184JM ()	0.18	10.2	3.5	9.0	5.0	-	12.7	0.50	
ECQV1J224JM ()	0.22	10.2	3.5	9.0	5.0	-	12.7	0.50	
ECQV1J274JM ()	0.27	10.2	3.5	9.0	5.0	-	12.7	0.50	
ECQV1J334JM ()	0.33	10.2	3.8	9.0	5.0	-	12.7	0.50	
ECQV1J394JM ()	0.39	10.2	4.0	9.0	5.0	-	12.7	0.50	
ECQV1J474JM ()	0.47	10.2	4.5	9.0	5.0	-	12.7	0.50	
ECQV1J564JM ()	0.56	10.2	4.9	9.0	5.0	-	12.7	0.50	
ECQV1J684JM ()	0.68	10.2	5.5	10.0	5.0	-	12.7	0.50	
ECQV1J824JM ()	0.82	10.2	6.1	10.0	5.0	-	12.7	0.50	
ECQV1J105JM ()	1.0	10.2	6.9	10.0	5.0	-	12.7	0.50	

↑ Suffix for taped type

● Type ECQV(L) Rated voltage : 100 VDC

Part No.	Capacitance (μ F)	Dimensions (mm)							Quantity
		L _{max}	T _{max}	H _{max}	F+0.8/-0.2		P±1.0	φd±0.05	Ammo
					Style AD	Style AS			
ECQV1103JM ()	0.010	7.5	3.2	7.0	5.0	5.0	12.7	0.50	2,000
ECQV1123JM ()	0.012	7.5	3.2	7.0	5.0	5.0	12.7	0.50	
ECQV1153JM ()	0.015	7.5	3.2	7.0	5.0	5.0	12.7	0.50	
ECQV1183JM ()	0.018	7.5	3.2	7.0	5.0	5.0	12.7	0.50	
ECQV1223JM ()	0.022	7.5	3.2	7.0	5.0	5.0	12.7	0.50	
ECQV1273JM ()	0.027	7.5	3.2	7.0	5.0	5.0	12.7	0.50	
ECQV1333JM ()	0.033	7.5	3.2	7.0	5.0	5.0	12.7	0.50	
ECQV1393JM ()	0.039	7.5	3.2	7.0	5.0	5.0	12.7	0.50	
ECQV1473JM ()	0.047	7.5	3.2	7.0	5.0	5.0	12.7	0.50	
ECQV1563JM ()	0.056	7.5	3.2	7.0	5.0	5.0	12.7	0.50	
ECQV1683JM ()	0.068	7.5	4.0	7.0	5.0	5.0	12.7	0.50	
ECQV1823JM ()	0.082	7.5	4.1	7.0	5.0	5.0	12.7	0.50	1,000
ECQV1104JM ()	0.10	7.5	4.5	7.0	5.0	5.0	12.7	0.50	
ECQV1124JM ()	0.12	10.2	3.3	9.0	5.0	-	12.7	0.50	2,000
ECQV1154JM ()	0.15	10.2	3.3	9.0	5.0	-	12.7	0.50	
ECQV1184JM ()	0.18	10.2	3.6	9.0	5.0	-	12.7	0.50	
ECQV1224JM ()	0.22	10.2	4.0	9.0	5.0	-	12.7	0.50	
ECQV1274JM ()	0.27	10.2	4.2	9.0	5.0	-	12.7	0.50	1,000
ECQV1334JM ()	0.33	10.2	4.8	10.0	5.0	-	12.7	0.50	
ECQV1394JM ()	0.39	10.2	5.5	10.0	5.0	-	12.7	0.50	
ECQV1474JM ()	0.47	10.2	6.8	10.0	5.0	-	12.7	0.50	

↑ Suffix for taped type

Design, Specifications are subject to change without notice. Ask factory for technical specifications before purchase and/or use. Whenever a doubt about safety arises from this product, please inform us immediately for technical consultation without fail.