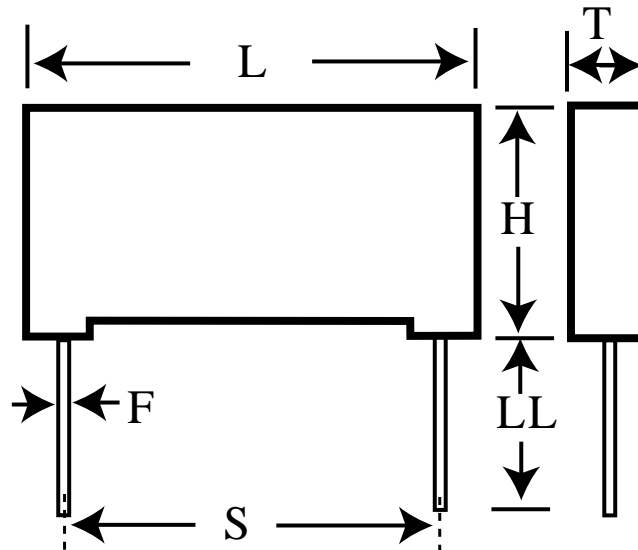


PHE845VF6150MR06L2

aka F845FG154M760C PHE845VF6150MF12R06L2

Capacitor, film, 0.15 μ F, +/-20% Tol, -40/+105C, Safety: X1, 760VAC,
Lead Spacing=27.5 mm



Dimensions (mm)

ID	Dimension	Tolerance
L	31.5	max
H	22.5	max
T	11.5	max
S	27.5	+/-0.4
LL	6	nom
F	0.8	nom

Specifications

Manufacturer:	KEMET
Brand:	Rifa
Capacitance:	0.15 μ F
Temperature Range:	-40/+105C
Rated Temperature:	105C
Voltage @ rated temp:	1500V
Voltage AC:	760VAC
Tolerance:	+/-20%
Body Type:	Radial Box
Construction:	Non-inductive
Application:	Safety: X1
Dielectric:	Metallized Polypropylene
Dissipation Factor @ 1 kHz:	0.1%
Dissipation Factor @ 10 kHz:	0.4%
Insulation Resistance:	30 GOhm
Maximum dVdT:	100v/us
UL_1283:	600V
IEC_60384-14:	760V
EN_132400:	760V
C_22.2_NO.8:	600V
Miscellaneous Electrical:	PHE845
Package Kind:	Bulk
Package Type:	Tray
Package Quantity:	198