



# Product Data Sheets

**C.27/4 Series**


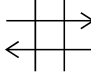
**C.27/6 Series**

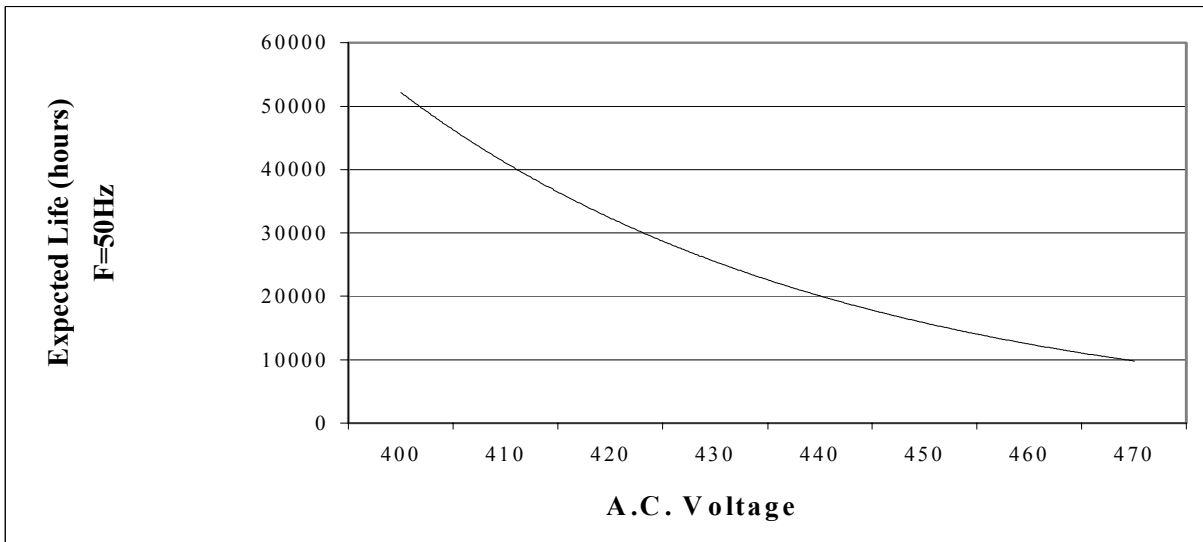
**C.27/7 Series**



**TYPICAL APPLICATIONS:** the capacitor is used in series to the start-winding of the single-phase electric motor, allowing its starting and increasing the torque during work. Main application fields: air-fans, pumps, circulators, and low power electric motors. The choice of the capacitor depends on expected life length and the mechanical connection of the user.

**PRODUCT MARKING: TYPE A – EXAMPLE:**

|  |   |
|--|---|
| <b>A</b>                                     | 1.27.4AC1 MKP<br>16 $\mu$ F $\pm$ 5 %   |
| ARCOTRONICS                                  |   |
| 420V~ 30000h/CLASS A<br>470V~ 10000h/CLASS B |   |
| 25/85/21                                     | <br>EN 60252 |
| P0   |             |
| <b>CE</b>                                    | <b>16</b>   |



| GENERAL DATA | SIZES TABLES | FAST-ON   | BIPOLAR CABLE | FLEXIBLE CABLE | STIFF UNIPOLAR CABLE | HIGH TEMPERATURE | DRAWINGS  |
|--------------|--------------|-----------|---------------|----------------|----------------------|------------------|-----------|
| <b>13</b>    | <b>14</b>    | <b>27</b> | <b>29</b>     | <b>33</b>      | <b>34</b>            | <b>35</b>        | <b>57</b> |

**General technical data:**

|  |  |
|--|--|
| Reference standards  | IEC 252: 1993 EN 60252: 1994 CEI EN 60252: 1994  |
| EN 60 252 approval   | VDE Testing and Certification Institute  |
| UL810 "construction only"  | Approved up 500 Vac Standard Marking: 250Vac<br>Please contact us for other types of marking   |
| Type of Service:   | Continuous   |
| Working class:   | <b>CLASS A – 30.000 hours, 420 Volt a.c.</b><br><b>CLASS B – 10.000 hours, 470 Volt a.c.</b>   |
| Min. / Max. Operating Temperature:   | - 25 / 85 °C or - 25 / 100 °C (see page 35)  |
| Storage Temperature:   | - 40 / 90 °C   |
| Rated voltage V <sub>R</sub> (a.c.):   | 470 Volt a.c.  |
| Rated frequency (Hz):  | 50 - 60 Hz   |
| Voltage rise/fall time (max):  | 20 Volt / μs   |
| Maximum Permissible Voltage:   | 1.10 x Rated Voltage   |
| Maximum Permissible Current:   | 1.30 x Rated Current   |
| Dissipation factor, Tgδ:   | 20 x 10 <sup>-4</sup> at 20°C, 50 Hz   |
| Safety class:  | P0   |
| Maximum Altitude:  | 2000 m   |
| Capacitance tolerance (standard):  | ± 5 %  |
| Mounting:  | Any position   |
| Can:   | <a href="#">Polypropylene with self-extinguishing features V2 (UL94).</a><br>Noryl with self-extinguishing features VI (UL94) for diameters ≥ 50 mm  |
| Disk:  | <a href="#">Nylon PA66 with self-extinguishing features V0: fast-on execution.</a><br>PC-A with self-extinguishing features V0: cable execution<br><a href="#">Noryl PPO with self-extinguishing features VI: for diameters ≥ 40mm cable execution</a> |
| Filling Resin:   | Polyurethane   |
| Dielectric:  | Polypropylene  |
| Plates:  | Self-healing metal layer   |
| Test voltage terminal to terminal:   | 2 Vn for 2 s   |
| Test voltage terminal to can:  | 2.000 Volt for 2 s   |
| Leakage – Clearance in air between parts under voltage:                            | ≥ 5mm  |
| Leakage – Clearance in air between parts under voltage and accessible metal parts: | ≥ 6mm  |
| Vibration test:  | IEC 68-2-6   |
| Max Tightening torque:   | 5 Nm (M8) - 10 Nm (M12)  |

**CASE WITH FIXING BOLT**

| Rated Cap.<br>μF | Rated Current<br>A | Max dv/dt<br>V/μs | FAST-ON        |              |              | BIPOLAR CABLE  |              |              | UNIPOLAR       |              |              | Weight<br>(FAST-ON)<br>g |
|------------------|--------------------|-------------------|----------------|--------------|--------------|----------------|--------------|--------------|----------------|--------------|--------------|--------------------------|
|                  |                    |                   | Diameter<br>mm | Height<br>mm | Pack.<br>pcs | Diameter<br>mm | Height<br>mm | Pack.<br>pcs | Diameter<br>mm | Height<br>mm | Pack.<br>pcs |                          |
| 1.0              | 0.15               | 20                | 25             | 56.5         | 162          | 25             | 57           | 99           | 25             | 55           | 99           | 26                       |
| 1.5              | 0.22               | 20                | 25             | 56.5         | 162          | 25             | 57           | 99           | 25             | 55           | 99           | 26                       |
| 2.0              | 0.29               | 20                | 25             | 56.5         | 162          | 25             | 57           | 99           | 25             | 55           | 99           | 26                       |
| 2.5              | 0.37               | 20                | 25             | 56.5         | 162          | 25             | 57           | 99           | 25             | 55           | 99           | 26                       |
| 3.0              | 0.44               | 20                | 25             | 56.5         | 162          | 25             | 57           | 99           | 25             | 55           | 99           | 26                       |
| 3.5              | 0.52               | 20                | 30             | 56.5         | 110          | 30             | 57           | 68           | 30             | 55           | 68           | 38                       |
| 4.0              | 0.59               | 20                | 30             | 56.5         | 110          | 30             | 57           | 68           | 30             | 55           | 68           | 38                       |
| 4.5              | 0.66               | 20                | 30             | 56.5         | 110          | 30             | 57           | 68           | 30             | 55           | 68           | 38                       |
| 5.0              | 0.74               | 20                | 30             | 56.5         | 110          | 30             | 57           | 68           | 30             | 55           | 68           | 38                       |
| 6.0              | 0.88               | 20                | 35             | 56.5         | 86           | 35             | 57           | 52           | 35             | 55           | 52           | 52                       |
| 6.3              | 0.93               | 20                | 35             | 56.5         | 86           | 35             | 57           | 52           | 35             | 55           | 52           | 52                       |
| 7.0              | 1.03               | 20                | 35             | 56.5         | 86           | 35             | 57           | 52           | 35             | 55           | 52           | 52                       |
| 8.0              | 1.18               | 20                | 35             | 56.5         | 86           | 35             | 57           | 52           | 35             | 55           | 52           | 52                       |
| 9.0              | 1.33               | 20                | 35             | 73.5         | 86           | 35             | 71.5         | 52           | 35             | 69.5         | 52           | 68                       |
| 10.0             | 1.47               | 20                | 35             | 73.5         | 86           | 35             | 71.5         | 52           | 35             | 69.5         | 52           | 68                       |
| 12.0             | 1.77               | 20                | 35             | 73.5         | 86           | 35             | 71.5         | 52           | 35             | 69.5         | 52           | 68                       |
| 12.5             | 1.84               | 20                | 35             | 73.5         | 86           | 35             | 71.5         | 52           | 35             | 69.5         | 52           | 68                       |
| 14.0             | 2.07               | 20                | 40             | 73.5         | 60           | 40             | 71.5         | 30           | 40             | 69.5         | 30           | 88                       |
| 16.0             | 2.36               | 20                | 40             | 73.5         | 60           | 40             | 71.5         | 30           | 40             | 69.5         | 30           | 88                       |
| 18.0             | 2.66               | 20                | 45             | 74           | 50           | 45             | 71.5         | 30           | 45             | 69.5         | 30           | 112                      |
| 20.0             | 2.95               | 20                | 45             | 74           | 50           | 45             | 71.5         | 39           | 45             | 69.5         | 39           | 112                      |
| 22.0             | 3.25               | 20                | 45             | 74           | 50           | 45             | 71.5         | 39           | 45             | 69.5         | 39           | 112                      |
| 25.0             | 3.69               | 20                | 45             | 94.5         | 44           | 45             | 95           | 30           | 45             | 93           | 30           | 142                      |
| 30.0             | 4.43               | 20                | 45             | 94.5         | 44           | 45             | 95           | 30           | 45             | 93           | 30           | 142                      |
| 31.5             | 4.65               | 20                | 45             | 94.5         | 44           | 45             | 95           | 30           | 45             | 93           | 30           | 142                      |
| 35.0             | 5.16               | 20                | 50             | 96           | 40           | 50             | 96.5         | 25           | 50             | 94.5         | 25           | 178                      |
| 40.0             | 5.90               | 20                | 50             | 121          | 40           | 50             | 121.5        | 25           | 50             | 119.5        | 25           | 224                      |
| 45.0             | 6.64               | 20                | 50             | 121          | 40           | 50             | 121.5        | 25           | 50             | 119.5        | 25           | 224                      |
| 50.0             | ⊖ 7.38             | 20                | 50             | 121          | 40           | 60             | 121.5        | 16           | 60             | 119.5        | 16           | 224                      |
| 55.0             | ⊖ 8.12             | 20                | 55             | 120          | 32           | 60             | 120.5        | 16           | 60             | 118.5        | 16           | 271                      |
| 60.0             | ⊖ 8.85             | 20                | 55             | 120          | 32           | 60             | 120.5        | 16           | 60             | 118.5        | 16           | 271                      |

⊖ Capacitor produced according to EN 60252 standard with Arcotronics self-certification

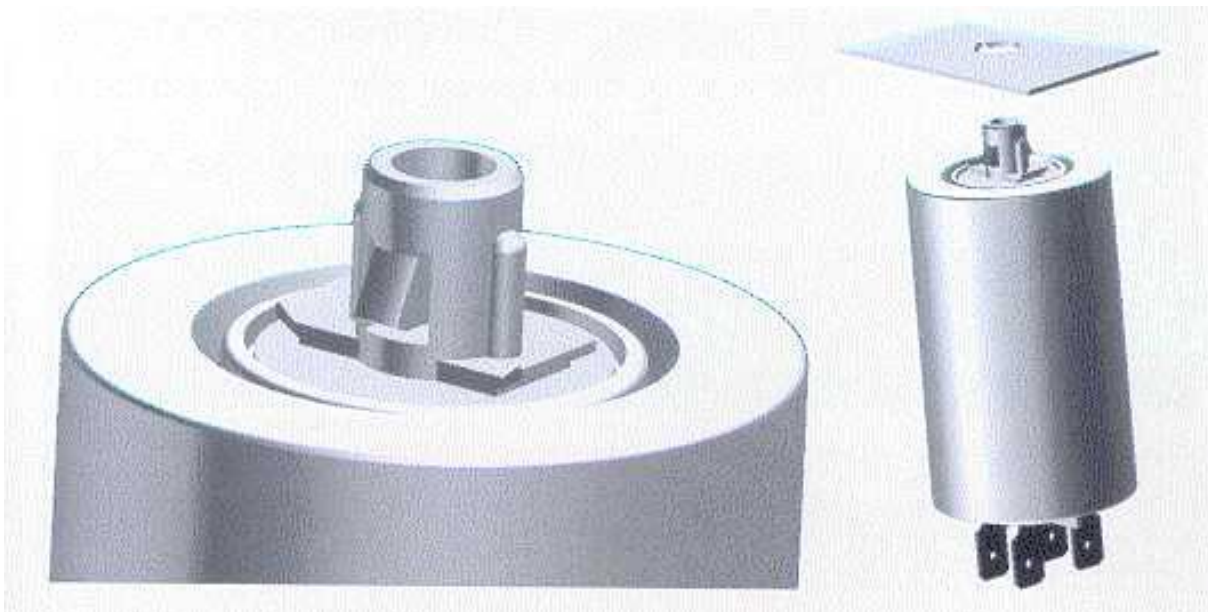
**CASE WITHOUT FIXING BOLT**

| Rated Cap.<br>μF | Rated Current<br>A | Max dv/dt<br>V/μs | FAST-ON        |              |              | BIPOLAR CABLE  |              |              | UNIPOLAR       |              |              | Weight<br>(FAST-ON)<br>g |
|------------------|--------------------|-------------------|----------------|--------------|--------------|----------------|--------------|--------------|----------------|--------------|--------------|--------------------------|
|                  |                    |                   | Diameter<br>mm | Height<br>mm | Pack.<br>pcs | Diameter<br>mm | Height<br>mm | Pack.<br>pcs | Diameter<br>mm | Height<br>mm | Pack.<br>pcs |                          |
| 1.0              | 0.15               | 20                | 25             | 56.5         | 162          | 25             | 57           | 99           | 25             | 55           | 99           | 26                       |
| 1.5              | 0.22               | 20                | 25             | 56.5         | 162          | 25             | 57           | 99           | 25             | 55           | 99           | 26                       |
| 2.0              | 0.29               | 20                | 25             | 56.5         | 162          | 25             | 57           | 99           | 25             | 55           | 99           | 26                       |
| 2.5              | 0.37               | 20                | 25             | 56.5         | 162          | 25             | 57           | 99           | 25             | 55           | 99           | 26                       |
| 3.0              | 0.44               | 20                | 25             | 56.5         | 162          | 25             | 57           | 99           | 25             | 55           | 99           | 26                       |
| 3.5              | 0.52               | 20                | 30             | 56.5         | 110          | 30             | 57           | 68           | 30             | 55           | 68           | 38                       |
| 4.0              | 0.59               | 20                | 30             | 56.5         | 110          | 30             | 57           | 68           | 30             | 55           | 68           | 38                       |
| 4.5              | 0.66               | 20                | 30             | 56.5         | 110          | 30             | 57           | 68           | 30             | 55           | 68           | 38                       |
| 5.0              | 0.74               | 20                | 30             | 56.5         | 110          | 30             | 57           | 68           | 30             | 55           | 68           | 38                       |
| 6.0              | 0.88               | 20                | 35             | 56.5         | 86           | 35             | 57           | 52           | 35             | 55           | 52           | 52                       |
| 6.3              | 0.93               | 20                | 35             | 56.5         | 86           | 35             | 57           | 52           | 35             | 55           | 52           | 52                       |
| 7.0              | 1.03               | 20                | 35             | 56.5         | 86           | 35             | 57           | 52           | 35             | 55           | 52           | 52                       |
| 8.0              | 1.18               | 20                | 35             | 56.5         | 86           | 35             | 57           | 52           | 35             | 55           | 52           | 52                       |
| 9.0              | 1.33               | 20                | 35             | 73.5         | 86           | 35             | 71.5         | 52           | 35             | 69.5         | 52           | 68                       |
| 10.0             | 1.47               | 20                | 35             | 73.5         | 86           | 35             | 71.5         | 52           | 35             | 69.5         | 52           | 68                       |
| 12.0             | 1.77               | 20                | 35             | 73.5         | 86           | 35             | 71.5         | 52           | 35             | 69.5         | 52           | 68                       |
| 12.5             | 1.84               | 20                | 35             | 73.5         | 86           | 35             | 71.5         | 52           | 35             | 69.5         | 52           | 68                       |
| 14.0             | 2.07               | 20                | 40             | 73.5         | 60           | 40             | 71.5         | 39           | 40             | 69.5         | 39           | 88                       |
| 16.0             | 2.36               | 20                | 40             | 73.5         | 60           | 40             | 71.5         | 39           | 40             | 69.5         | 39           | 88                       |
| 18.0             | 2.66               | 20                | 45             | 74           | 50           | 45             | 71.5         | 30           | 45             | 69.5         | 30           | 112                      |
| 20.0             | 2.95               | 20                | 45             | 74           | 50           | 45             | 71.5         | 30           | 45             | 69.5         | 30           | 112                      |
| 22.0             | 3.25               | 20                | 45             | 74           | 50           | 45             | 71.5         | 30           | 45             | 69.5         | 30           | 112                      |
| 25.0             | 3.69               | 20                | 45             | 94.5         | 44           | 45             | 95           | 30           | 45             | 93           | 30           | 142                      |
| 30.0             | 4.43               | 20                | 45             | 94.5         | 44           | 45             | 95           | 30           | 45             | 93           | 30           | 142                      |
| 31.5             | 4.65               | 20                | 45             | 94.5         | 44           | 45             | 95           | 30           | 45             | 93           | 30           | 142                      |
| 35.0             | 5.16               | 20                | 50             | 94.5         | 40           | 50             | 95           | 25           | 50             | 93           | 25           | 198                      |
| 40.0             | 5.90               | 20                | 50             | 118.5        | 40           | 50             | 119          | 25           | 50             | 117          | 25           | 224                      |
| 45.0             | 6.64               | 20                | 50             | 118.5        | 40           | 50             | 119          | 25           | 50             | 117          | 25           | 224                      |
| 50.0             | 7.38               | 20                | 50             | 118.5        | 40           | 60             | 119          | 16           | 60             | 117          | 16           | 224                      |
| 55.0             | 8.12               | 20                | 55             | 118.5        | 32           | 60             | 119          | 16           | 60             | 117          | 16           | 271                      |
| 60.0             | 8.85               | 20                | 55             | 118.5        | 32           | 60             | 119          | 16           | 60             | 117          | 16           | 271                      |

⊖ Capacitor produced according to EN60252 standard with Arcotronics self-certification

**CASE WITH QUICK FITTING DEVICE**




| Rated Cap.<br>$\mu\text{F}$ | Rated Current<br>A | Max dv/dt<br>V/ $\mu\text{s}$ | FAST-ON        |              |              | BIPOLAR CABLE  |              |              | UNIPOLAR       |              |              | Weight<br>(FAST-ON)<br>g |
|-----------------------------|--------------------|-------------------------------|----------------|--------------|--------------|----------------|--------------|--------------|----------------|--------------|--------------|--------------------------|
|                             |                    |                               | Diameter<br>mm | Height<br>mm | Pack.<br>pcs | Diameter<br>mm | Height<br>mm | Pack.<br>pcs | Diameter<br>mm | Height<br>mm | Pack.<br>pcs |                          |
| 1.0                         | 0.15               | 20                            | 25             | 56.5         | 99           | 25             | 57           | 99           | 25             | 55           | 99           | 26                       |
| 1.5                         | 0.22               | 20                            | 25             | 56.5         | 99           | 25             | 57           | 99           | 25             | 55           | 99           | 26                       |
| 2.0                         | 0.29               | 20                            | 25             | 56.5         | 99           | 25             | 57           | 99           | 25             | 55           | 99           | 26                       |
| 2.5                         | 0.37               | 20                            | 25             | 56.5         | 99           | 25             | 57           | 99           | 25             | 55           | 99           | 26                       |
| 3.0                         | 0.44               | 20                            | 25             | 56.5         | 99           | 25             | 57           | 99           | 25             | 55           | 99           | 26                       |
| 3.5                         | 0.52               | 20                            | 30             | 56.5         | 68           | 30             | 57           | 68           | 30             | 55           | 68           | 38                       |
| 4.0                         | 0.59               | 20                            | 30             | 56.5         | 68           | 30             | 57           | 68           | 30             | 55           | 68           | 38                       |
| 4.5                         | 0.66               | 20                            | 30             | 56.5         | 68           | 30             | 57           | 68           | 30             | 55           | 68           | 38                       |
| 5.0                         | 0.74               | 20                            | 30             | 56.5         | 68           | 30             | 57           | 68           | 30             | 55           | 68           | 38                       |
| 6.0                         | 0.88               | 20                            | 35             | 56.5         | 52           | 35             | 57           | 52           | 35             | 55           | 52           | 52                       |
| 6.3                         | 0.93               | 20                            | 35             | 56.5         | 52           | 35             | 57           | 52           | 35             | 55           | 52           | 52                       |
| 7.0                         | 1.03               | 20                            | 35             | 56.5         | 52           | 35             | 57           | 52           | 35             | 55           | 52           | 52                       |
| 8.0                         | 1.18               | 20                            | 35             | 56.5         | 52           | 35             | 57           | 52           | 35             | 55           | 52           | 52                       |
| 9.0                         | 1.33               | 20                            | 35             | 73.5         | 52           |                |              |              |                |              |              | 68                       |
| 10.0                        | 1.47               | 20                            | 35             | 73.5         | 52           |                |              |              |                |              |              | 68                       |
| 12.0                        | 1.77               | 20                            | 35             | 73.5         | 52           |                |              |              |                |              |              | 68                       |
| 12.5                        | 1.84               | 20                            | 35             | 73.5         | 52           |                |              |              |                |              |              | 68                       |

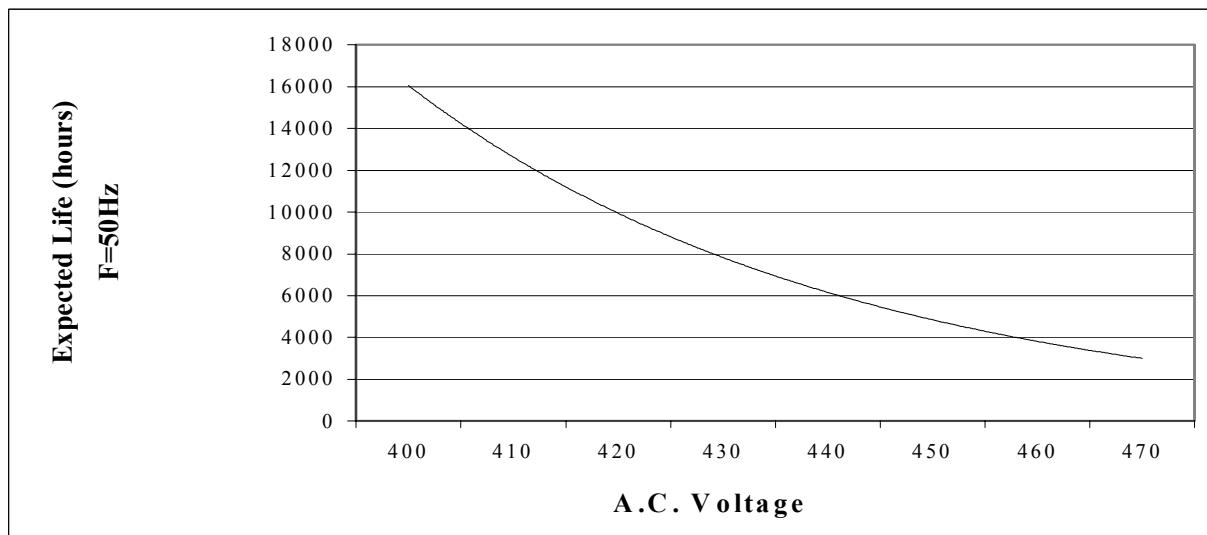




**TYPICAL APPLICATIONS:** the capacitor is used in series to the start-winding of the single-phase electric motor, allowing its starting and increasing the torque during work. C.27/6 series is particularly suitable for low voltage applications and medium expected life. Main application fields: air-fans, pumps, circulators, low power electric motor.

**PRODUCT MARKING: TYPE C – EXAMPLE:**

|   |   |
|---|---|
| <b>A</b>  | 1.27.6CC2 MKP   |
| ARCOTRONICS   | 5 $\mu$ F $\pm$ 5 %   |
|   | 420V~ 10000h/CLASS B  |
|   | 470V~ 3000h/CLASS C   |
| 25/85/21  |   |
| P0  | EN 60252  |
|  | <b>5</b>  |



| GENERAL DATA | SIZES TABLES | FAST-ON   | BIPOLAR CABLE | FLEXIBLE CABLE | STIFF UNIPOLAR CABLE | DRAWINGS  |
|--------------|--------------|-----------|---------------|----------------|----------------------|-----------|
| <b>18</b>    | <b>19</b>    | <b>27</b> | <b>29</b>     | <b>33</b>      | <b>34</b>            | <b>57</b> |

**General technical data:**

|  |   |
|--|---|
| Reference standards  | IEC 252: 1993    EN 60252: 1994    CEI EN 60252: 1994   |
| EN 60 252 approval   | <b>VDE Testing and Certification Institute</b>  |
| UL810 "construction only"  | <b>Approved up 500 Vac</b> Standard Marking: 250Vac<br>Please contact us for other types of marking   |
| Great Wall approval (China)  |   |
| Type of Service:   | Continuous  |
| Working class:   | <b>CLASS B – 10.000 hours, 420 Volt a.c.</b><br><b>CLASS C – 3.000 hours, 470 Volt a.c.</b>   |
| Min. / Max. Operating Temperature:   | - 25 / 85 °C  |
| Storage Temperature:   | - 40 / 90 °C  |
| Rated voltage Vn (a.c.):   | 470 Volt a.c.   |
| Rated frequency (Hz):  | 50 - 60 Hz  |
| Voltage rise/fall time (max):  | 15 Volt / $\mu$ s   |
| Maximum Permissible Voltage:   | 1.10 x Rated Voltage  |
| Maximum Permissible Current:   | 1.30 x Rated Current  |
| Dissipation factor, Tg $\delta$ :  | 20 x 10 <sup>-4</sup> at 20°C, 50 Hz  |
| Safety class:  | P0  |
| Maximum Altitude:  | 2000 m  |
| Capacitance tolerance (standard):  | $\pm$ 5 %   |
| Mounting:  | Any position  |
| Can:   | <a href="#">Polypropylene with self-extinguishing features V2 (UL94).</a><br>Noryl with self-extinguishing features VI (UL94) for diameters $\geq$ 50 mm  |
| Disk:  | <a href="#">Nylon PA66 with self-extinguishing features V0: fast-on execution.</a><br>PC-A with self-extinguishing features V0: cable execution<br><a href="#">Noryl PPO with self-extinguishing features VI: for diameters <math>\geq</math>40mm cable execution</a> |
| Filling Resin:   | Polyurethane  |
| Dielectric:  | Polypropylene   |
| Plates:  | Self-healing metal layer  |
| Test voltage terminal to terminal:   | 2 Vn for 2 s  |
| Test voltage terminal to can:  | 2.000 Volt for 2 s  |
| Leakage – Clearance in air between parts under voltage:                            | $\geq$ 5mm  |
| Leakage – Clearance in air between parts under voltage and accessible metal parts: | $\geq$ 6mm  |
| Vibration test:  | IEC 68-2-6  |
| Max Tightening torque:   | 5 Nm (M8) - 10 Nm (M12)   |



**CASE WITH FIXING BOLT**

| Rated Cap.<br>μF | Rated Current<br>A | Max dv/dt<br>V/μs | FAST-ON        |              |              | BIPOLAR CABLE  |              |              | UNIPOLAR       |              |              | Weight<br>(FAST-ON)<br>g |
|------------------|--------------------|-------------------|----------------|--------------|--------------|----------------|--------------|--------------|----------------|--------------|--------------|--------------------------|
|                  |                    |                   | Diameter<br>mm | Height<br>mm | Pack.<br>pcs | Diameter<br>mm | Height<br>mm | Pack.<br>pcs | Diameter<br>mm | Height<br>mm | Pack.<br>pcs |                          |
| 1.0              | 0.15               | 15                | 25             | 56.5         | 162          | 25             | 57           | 99           | 25             | 55           | 99           | 26                       |
| 1.5              | 0.22               | 15                | 25             | 56.5         | 162          | 25             | 57           | 99           | 25             | 55           | 99           | 26                       |
| 2.0              | 0.29               | 15                | 25             | 56.5         | 162          | 25             | 57           | 99           | 25             | 55           | 99           | 26                       |
| 2.5              | 0.37               | 15                | 25             | 56.5         | 162          | 25             | 57           | 99           | 25             | 55           | 99           | 26                       |
| 3.0              | 0.44               | 15                | 25             | 56.5         | 162          | 25             | 57           | 99           | 25             | 55           | 99           | 26                       |
| 3.5              | 0.52               | 15                | 25             | 56.5         | 162          | 25             | 57           | 99           | 25             | 55           | 99           | 26                       |
| 4.0              | 0.59               | 15                | 25             | 56.5         | 162          | 25             | 57           | 99           | 25             | 55           | 99           | 26                       |
| 4.5              | 0.66               | 15                | 30             | 56.5         | 110          | 30             | 57           | 68           | 30             | 55           | 68           | 38                       |
| 5.0              | 0.74               | 15                | 30             | 56.5         | 110          | 30             | 57           | 68           | 30             | 55           | 68           | 38                       |
| 6.0              | 0.88               | 15                | 30             | 56.5         | 110          | 30             | 57           | 68           | 30             | 55           | 68           | 38                       |
| 6.3              | 0.93               | 15                | 30             | 56.5         | 110          | 30             | 57           | 68           | 30             | 55           | 68           | 38                       |
| 7.0              | 1.03               | 15                | 30             | 56.5         | 110          | 30             | 57           | 68           | 30             | 55           | 68           | 38                       |
| 8.0              | 1.18               | 15                | 35             | 56.5         | 86           | 35             | 57           | 52           | 35             | 55           | 52           | 52                       |
| 9.0              | 1.33               | 15                | 35             | 56.5         | 86           | 35             | 57           | 52           | 35             | 55           | 52           | 52                       |
| 10.0             | 1.47               | 15                | 35             | 56.5         | 86           | 35             | 57           | 52           | 35             | 55           | 52           | 52                       |
| 12.0             | 1.77               | 15                | 35             | 73.5         | 86           | 35             | 71.5         | 52           | 35             | 69.5         | 52           | 68                       |
| 12.5             | 1.84               | 15                | 35             | 73.5         | 86           | 35             | 71.5         | 52           | 35             | 69.5         | 52           | 68                       |
| 14.0             | 2.07               | 15                | 35             | 73.5         | 86           | 35             | 71.5         | 52           | 35             | 69.5         | 52           | 68                       |
| 16.0             | 2.36               | 15                | 35             | 73.5         | 86           | 35             | 71.5         | 52           | 35             | 69.5         | 52           | 68                       |
| 18.0             | 2.66               | 15                | 40             | 73.5         | 60           | 40             | 71.5         | 39           | 40             | 69.5         | 39           | 88                       |
| 20.0             | 2.95               | 15                | 40             | 73.5         | 60           | 40             | 71.5         | 39           | 40             | 69.5         | 39           | 88                       |
| 22.0             | 3.25               | 15                | 40             | 73.5         | 60           | 40             | 71.5         | 39           | 40             | 69.5         | 39           | 88                       |
| 25.0             | 3.69               | 15                | 45             | 74           | 50           | 45             | 71.5         | 30           | 45             | 69.5         | 30           | 112                      |
| 30.0             | 4.43               | 15                | 45             | 74           | 50           | 45             | 71.5         | 30           | 45             | 69.5         | 30           | 112                      |
| 31.5             | 4.65               | 15                | 45             | 94.5         | 44           | 45             | 95           | 30           | 45             | 93           | 30           | 142                      |
| 35.0             | 5.16               | 15                | 45             | 94.5         | 44           | 45             | 95           | 30           | 45             | 93           | 30           | 142                      |
| 40.0             | 5.90               | 15                | 45             | 94.5         | 44           | 45             | 95           | 30           | 45             | 93           | 30           | 142                      |
| 45.0             | 6.64               | 15                | 50             | 96           | 40           | 50             | 96.5         | 25           | 50             | 94.5         | 25           | 178                      |
| 50.0             | 7.38               | 15                | 50             | 121          | 40           | 50             | 121.5        | 25           | 50             | 119.5        | 25           | 224                      |
| 55.0             | 8.12               | 15                | 50             | 121          | 40           | 50             | 121.5        | 25           | 50             | 119.5        | 25           | 224                      |
| 60.0             | ⊖ 8.85             | 15                | 50             | 121          | 40           | 50             | 121.5        | 25           | 50             | 119.5        | 25           | 224                      |
| 65.0             | ⊖ 9.60             | 15                | 50             | 121          | 40           | 50             | 121.5        | 25           | 50             | 119.5        | 25           | 224                      |
| 70.0             | ⊖ 10.30            | 15                | 50             | 121          | 40           | 50             | 121.5        | 25           | 50             | 119.5        | 25           | 224                      |

⊖ Capacitor produced according to EN60252 standard with Arcotronics self-certification

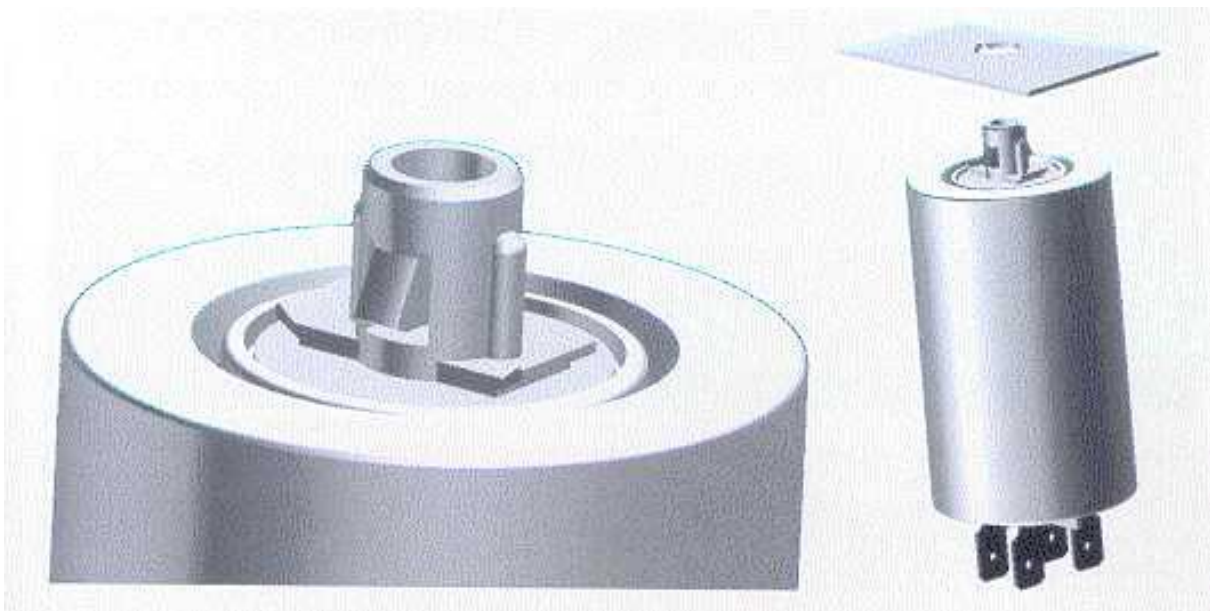
**CASE WITHOUT FIXING BOLT**

| Rated Cap.<br>μF | Rated Current<br>A | Max dv/dt<br>V/μs | FAST-ON        |              |              | BIPOLAR CABLE  |              |              | UNIPOLAR       |              |              | Weight<br>(FAST-ON)<br>g |
|------------------|--------------------|-------------------|----------------|--------------|--------------|----------------|--------------|--------------|----------------|--------------|--------------|--------------------------|
|                  |                    |                   | Diameter<br>mm | Height<br>mm | Pack.<br>pcs | Diameter<br>mm | Height<br>mm | Pack.<br>pcs | Diameter<br>mm | Height<br>mm | Pack.<br>pcs |                          |
| 1.0              | 0.15               | 15                | 25             | 56.5         | 162          | 25             | 57           | 99           | 25             | 55           | 99           | 26                       |
| 1.5              | 0.22               | 15                | 25             | 56.5         | 162          | 25             | 57           | 99           | 25             | 55           | 99           | 26                       |
| 2.0              | 0.29               | 15                | 25             | 56.5         | 162          | 25             | 57           | 99           | 25             | 55           | 99           | 26                       |
| 2.5              | 0.37               | 15                | 25             | 56.5         | 162          | 25             | 57           | 99           | 25             | 55           | 99           | 26                       |
| 3.0              | 0.44               | 15                | 25             | 56.5         | 162          | 25             | 57           | 99           | 25             | 55           | 99           | 26                       |
| 3.5              | 0.52               | 15                | 25             | 56.5         | 162          | 25             | 57           | 99           | 25             | 55           | 99           | 26                       |
| 4.0              | 0.59               | 15                | 25             | 56.5         | 162          | 25             | 57           | 99           | 25             | 55           | 99           | 26                       |
| 4.5              | 0.66               | 15                | 30             | 56.5         | 110          | 30             | 57           | 68           | 30             | 55           | 68           | 38                       |
| 5.0              | 0.74               | 15                | 30             | 56.5         | 110          | 30             | 57           | 68           | 30             | 55           | 68           | 38                       |
| 6.0              | 0.88               | 15                | 30             | 56.5         | 110          | 30             | 57           | 68           | 30             | 55           | 68           | 38                       |
| 6.3              | 0.93               | 15                | 30             | 56.5         | 110          | 30             | 57           | 68           | 30             | 55           | 68           | 38                       |
| 7.0              | 1.03               | 15                | 30             | 56.5         | 110          | 30             | 57           | 68           | 30             | 55           | 68           | 38                       |
| 8.0              | 1.18               | 15                | 35             | 56.5         | 86           | 35             | 57           | 52           | 35             | 55           | 52           | 52                       |
| 9.0              | 1.33               | 15                | 35             | 56.5         | 86           | 35             | 57           | 52           | 35             | 55           | 52           | 68                       |
| 10.0             | 1.47               | 15                | 35             | 56.5         | 86           | 35             | 57           | 52           | 35             | 55           | 52           | 68                       |
| 12.0             | 1.77               | 15                | 35             | 73.5         | 86           | 35             | 71.5         | 52           | 35             | 69.5         | 52           | 68                       |
| 12.5             | 1.84               | 15                | 35             | 73.5         | 86           | 35             | 71.5         | 52           | 35             | 69.5         | 52           | 68                       |
| 14.0             | 2.07               | 15                | 35             | 73.5         | 86           | 35             | 71.5         | 52           | 35             | 69.5         | 52           | 68                       |
| 16.0             | 2.36               | 15                | 35             | 73.5         | 86           | 35             | 71.5         | 52           | 35             | 69.5         | 52           | 68                       |
| 18.0             | 2.66               | 15                | 40             | 73.5         | 60           | 40             | 71.5         | 39           | 40             | 69.5         | 39           | 88                       |
| 20.0             | 2.95               | 15                | 40             | 73.5         | 60           | 40             | 71.5         | 39           | 40             | 69.5         | 39           | 88                       |
| 22.0             | 3.25               | 15                | 40             | 73.5         | 60           | 40             | 71.5         | 39           | 40             | 69.5         | 39           | 88                       |
| 25.0             | 3.69               | 15                | 45             | 74           | 50           | 45             | 71.5         | 30           | 45             | 69.5         | 30           | 112                      |
| 30.0             | 4.43               | 15                | 45             | 74           | 50           | 45             | 71.5         | 30           | 45             | 69.5         | 30           | 112                      |
| 31.5             | 4.65               | 15                | 45             | 94.5         | 44           | 45             | 95           | 30           | 45             | 93           | 30           | 142                      |
| 35.0             | 5.16               | 15                | 45             | 94.5         | 44           | 45             | 95           | 30           | 45             | 93           | 30           | 142                      |
| 40.0             | 5.90               | 15                | 45             | 94.5         | 44           | 45             | 95           | 30           | 45             | 93           | 30           | 142                      |
| 45.0             | 6.64               | 15                | 50             | 94.5         | 40           | 50             | 95           | 25           | 50             | 93           | 25           | 178                      |
| 50.0             | 7.38               | 15                | 50             | 118.5        | 40           | 50             | 119          | 25           | 50             | 117          | 25           | 224                      |
| 55.0             | 8.12               | 15                | 50             | 118.5        | 40           | 50             | 119          | 25           | 50             | 117          | 25           | 224                      |
| 60.0             | ⊖ 8.85             | 15                | 50             | 118.5        | 40           | 50             | 119          | 25           | 50             | 117          | 25           | 224                      |
| 65.0             | ⊖ 9.60             | 15                | 50             | 118.5        | 40           | 50             | 119          | 25           | 50             | 117          | 25           | 224                      |
| 70.0             | ⊖ 10.30            | 15                | 50             | 118.5        | 40           | 50             | 119          | 25           | 50             | 117          | 25           | 224                      |

⊖ Capacitor produced according EN60252 standard with Arcotronics self-certification

**CASE WITH QUICK FITTING DEVICE**


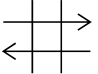
| Rated Cap.    | Rated Current | Max dv/dt        | FAST-ON  |        |       | BIPOLAR CABLE |        |       | UNIPOLAR |        |       | Weight (FAST-ON) |
|---------------|---------------|------------------|----------|--------|-------|---------------|--------|-------|----------|--------|-------|------------------|
|               |               |                  | Diameter | Height | Pack. | Diameter      | Height | Pack. | Diameter | Height | Pack. |                  |
| $\mu\text{F}$ | A             | V/ $\mu\text{s}$ | mm       | mm     | pcs   | mm            | mm     | pcs   | mm       | mm     | pcs   | g                |
| 1.0           | 0.15          | 15               | 25       | 56.5   | 297   | 25            | 57     | 99    | 25       | 55     | 99    | 26               |
| 1.5           | 0.22          | 15               | 25       | 56.5   | 297   | 25            | 57     | 99    | 25       | 55     | 99    | 26               |
| 2.0           | 0.29          | 15               | 25       | 56.5   | 297   | 25            | 57     | 99    | 25       | 55     | 99    | 26               |
| 2.5           | 0.37          | 15               | 25       | 56.5   | 297   | 25            | 57     | 99    | 25       | 55     | 99    | 26               |
| 3.0           | 0.44          | 15               | 25       | 56.5   | 297   | 25            | 57     | 99    | 25       | 55     | 99    | 26               |
| 3.5           | 0.52          | 15               | 25       | 56.5   | 207   | 25            | 57     | 99    | 25       | 55     | 99    | 26               |
| 4.0           | 0.59          | 15               | 25       | 56.5   | 297   | 25            | 57     | 99    | 25       | 55     | 99    | 26               |
| 4.5           | 0.66          | 15               | 30       | 56.5   | 204   | 30            | 57     | 68    | 30       | 55     | 68    | 38               |
| 5.0           | 0.74          | 15               | 30       | 56.5   | 204   | 30            | 57     | 68    | 30       | 55     | 68    | 38               |
| 6.0           | 0.88          | 15               | 30       | 56.5   | 204   | 30            | 57     | 68    | 30       | 55     | 68    | 38               |
| 6.3           | 0.93          | 15               | 30       | 56.5   | 204   | 30            | 57     | 68    | 30       | 55     | 68    | 38               |
| 7.0           | 1.03          | 15               | 30       | 56.5   | 204   | 30            | 57     | 68    | 30       | 55     | 68    | 38               |
| 8.0           | 1.18          | 15               | 35       | 56.5   | 136   | 35            | 57     | 52    | 35       | 55     | 52    | 52               |
| 9.0           | 1.33          | 15               | 35       | 56.5   | 136   | 35            | 57     | 52    | 35       | 55     | 52    | 68               |
| 10.0          | 1.47          | 15               | 35       | 56.5   | 136   | 35            | 57     | 52    | 35       | 55     | 52    | 68               |
| 12.0          | 1.77          | 15               | 35       | 73.5   | 104   |               |        |       |          |        |       | 68               |
| 12.5          | 1.84          | 15               | 35       | 73.5   | 104   |               |        |       |          |        |       | 68               |
| 14.0          | 2.07          | 15               | 35       | 73.5   | 104   |               |        |       |          |        |       | 68               |

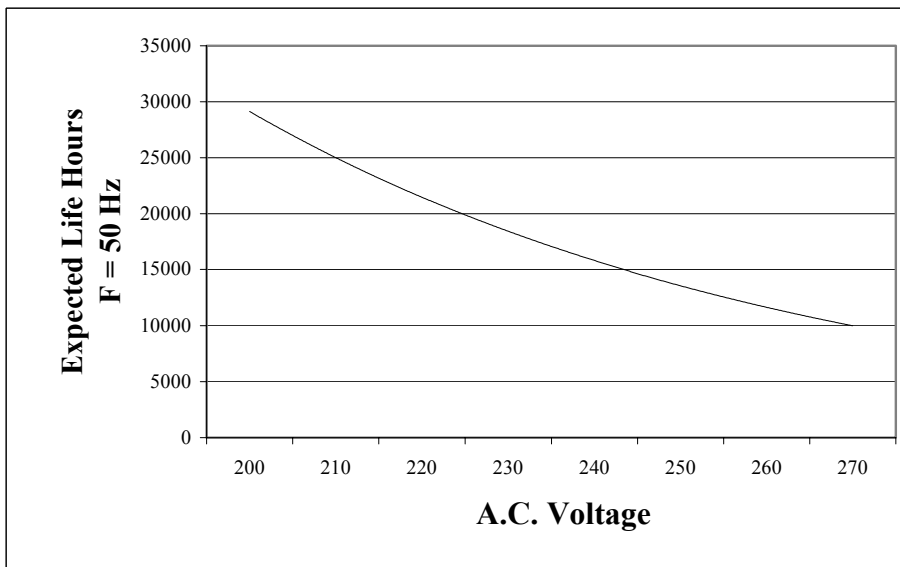




**TYPICAL APPLICATIONS:** the capacitor is used in series to the start-winding of the single-phase electric motor, allowing its starting and increasing the torque during work. This series is suitable for low voltage application and medium expected life. Main application fields: air-fans, rolling shutters motors, and battery chargers.

**MARKING PRODUCT: TYPE L – EXAMPLE:**

|                           |   |
|---------------------------|---|
| <b>A</b>                  | 1.27.7LA1 MKP   |
| ARCOTRONICS               | 10 $\mu$ F $\pm$ 5 %  |
| 275V~ 10000h/CLASS B      |   |
| 425V~240/10%1000h/CLASS D |   |
| 25/85/21                  |            |
| P0                        | EN 60252  |
| <b>CE</b>                 | <b>10</b>   |



| GENERAL DATA | SIZES TABLES | FAST-ON   | BIPOLAR CABLE | FLEXIBLE CABLE | STIFF UNIPOLAR CABLE | DRAWINGS  |
|--------------|--------------|-----------|---------------|----------------|----------------------|-----------|
| <b>23</b>    | <b>24</b>    | <b>27</b> | <b>29</b>     | <b>33</b>      | <b>34</b>            | <b>57</b> |

**General technical data:**

|  |   |
|--|---|
| Reference standards  | IEC 252: 1993    EN 60252: 1994   |
| EN 60 252 approval   | VDE standard institute  |
| UL810 "construction only"  | Approved up 500 Vac Standard Marking: 250Vac<br>Please contact us for other types of marking  |
| Type of working:   | Continuous  |
| Working class:   | <b>CLASS B - 10.000 hours, 275 Volt a.c.<br/>Continuous working</b>   |
|  | <b>CLASS D - 1.000 hours, 425 Volt a.c.<br/>Intermittent Working 24min/240min</b>   |
| Temperature: Operating Min. / Max.:  | - 40 / 85 °C or - 25 / 85 °C  |
| Storage:   | - 40 / 90 °C  |
| Rated voltage Vn (a.c.):   | 275Volt a.c.  |
| Intermittent voltage Vn (ac)   | 425 Volt – 24 minutes every 4 hours   |
| Rated frequency (Hz):  | 50 - 60 Hz  |
| Voltage rise/fall time (max):  | 15 Volt / $\mu$ s   |
| Maximum Permissible Voltage:   | 1.10 x Rated Voltage  |
| Maximum Permissible Current:   | 1.30 x Rated Current  |
| Dissipation factor Tg $\delta$ :   | 20 x 10 <sup>-4</sup> at 20°C, 50 Hz  |
| Safety class:  | P0  |
| Maximum altitude:  | 2000 m  |
| Capacitance tolerance (standard):  | $\pm$ 5 %   |
| Mounting:  | Any position  |
| Case:  | Plastic Material with self-extinguishing features V2 (UL94).<br>Noryl with self-extinguishing features V1 (UL94 standard) for diameters $\geq$ 50 mm  |
| Disk:  | Nylon PA66 with self-extinguishing features V0: fast-on execution.<br>PC-A with self-extinguishing features V0: cable execution<br>Noryl PPO with self-extinguishing features V1: for diameters $\geq$ 40mm cable execution |
| Dielectric:  | Polypropylene   |
| Plates:  | Self-healing metal layer  |
| Voltage test terminal to terminal:   | 2 Vn for 2 s Continuous working / 1.5 Intermittent working  |
| Voltage test terminal to case:   | 2.000 Volt for 2 s  |
| Leakage – Clearance in air between parts under voltage:                            | $\geq$ 5mm  |
| Leakage – Clearance in air between parts under voltage and accessible metal parts: | $\geq$ 6mm  |
| Vibration test:  | IEC 68-2-6  |
| Max Tightening torque:   | 5 Nm (M8) - 10 Nm (M12)   |

**CASE WITH FIXING BOLT**

| Rated Cap.<br>$\mu\text{F}$ | Rated Current<br>A | Max dv/dt<br>V/ $\mu\text{s}$ | FAST-ON        |              |              | BIPOLAR CABLE  |              |              | UNIPOLAR       |              |              | Weight<br>(FAST-ON)<br>g |
|-----------------------------|--------------------|-------------------------------|----------------|--------------|--------------|----------------|--------------|--------------|----------------|--------------|--------------|--------------------------|
|                             |                    |                               | Diameter<br>mm | Height<br>mm | Pack.<br>pcs | Diameter<br>mm | Height<br>mm | Pack.<br>pcs | Diameter<br>mm | Height<br>mm | Pack.<br>pcs |                          |
| 1.0                         | 0.1                | 15                            | 25             | 56.5         | 162          | 25             | 57           | 99           | 25             | 55           | 99           | 26                       |
| 1.5                         | 0.1                | 15                            | 25             | 56.5         | 162          | 25             | 57           | 99           | 25             | 55           | 99           | 26                       |
| 2.0                         | 0.2                | 15                            | 25             | 56.5         | 162          | 25             | 57           | 99           | 25             | 55           | 99           | 26                       |
| 2.5                         | 0.2                | 15                            | 25             | 56.5         | 162          | 25             | 57           | 99           | 25             | 55           | 99           | 26                       |
| 3.0                         | 0.3                | 15                            | 25             | 56.5         | 162          | 25             | 57           | 99           | 25             | 55           | 99           | 26                       |
| 3.5                         | 0.3                | 15                            | 25             | 56.5         | 162          | 25             | 57           | 99           | 25             | 55           | 99           | 26                       |
| 4.0                         | 0.3                | 15                            | 25             | 56.5         | 162          | 25             | 57           | 99           | 25             | 55           | 99           | 26                       |
| 4.5                         | 0.3                | 15                            | 25             | 56.5         | 162          | 25             | 57           | 99           | 25             | 55           | 99           | 26                       |
| 5.0                         | 0.4                | 15                            | 25             | 56.5         | 162          | 25             | 57           | 99           | 25             | 55           | 99           | 26                       |
| 6.0                         | 0.5                | 15                            | 30             | 56.5         | 110          | 30             | 57           | 68           | 30             | 55           | 68           | 38                       |
| 6.3                         | 0.5                | 15                            | 30             | 56.5         | 110          | 30             | 57           | 68           | 30             | 55           | 68           | 38                       |
| 7.0                         | 0.6                | 15                            | 30             | 56.5         | 110          | 30             | 57           | 68           | 30             | 55           | 68           | 38                       |
| 8.0                         | 0.7                | 15                            | 30             | 56.5         | 110          | 30             | 57           | 68           | 30             | 55           | 68           | 38                       |
| 9.0                         | 0.8                | 15                            | 30             | 56.5         | 110          | 30             | 57           | 68           | 30             | 55           | 68           | 38                       |
| 10.0                        | 0.9                | 15                            | 30             | 56.5         | 110          | 30             | 57           | 68           | 30             | 55           | 68           | 38                       |
| 12.0                        | 1.0                | 15                            | 35             | 56.5         | 86           | 35             | 57           | 52           | 35             | 55           | 52           | 52                       |
| 14.0                        | 1.2                | 15                            | 35             | 56.5         | 86           | 35             | 57           | 52           | 35             | 55           | 52           | 52                       |
| 16.0                        | 1.4                | 15                            | 35             | 73.5         | 86           | 35             | 71.5         | 52           | 35             | 69.5         | 52           | 68                       |
| 18.0                        | 1.6                | 15                            | 35             | 73.5         | 86           | 35             | 71.5         | 52           | 35             | 69.5         | 52           | 68                       |
| 20.0                        | 1.7                | 15                            | 35             | 73.5         | 86           | 35             | 71.5         | 52           | 35             | 69.5         | 52           | 68                       |
| 22.0                        | 1.9                | 15                            | 35             | 73.5         | 86           | 35             | 71.5         | 52           | 35             | 69.5         | 52           | 68                       |
| 25.0                        | 2.2                | 15                            | 40             | 73.5         | 60           | 40             | 71.5         | 39           | 40             | 69.5         | 39           | 88                       |
| 30.0                        | 2.6                | 15                            | 40             | 73.5         | 60           | 40             | 71.5         | 39           | 40             | 69.5         | 39           | 88                       |
| 31.5                        | 2.7                | 15                            | 45             | 74           | 50           | 45             | 71.5         | 30           | 45             | 69.5         | 30           | 112                      |
| 35.0                        | 3.0                | 15                            | 45             | 74           | 50           | 45             | 71.5         | 30           | 45             | 69.5         | 30           | 112                      |
| 40.0                        | 3.5                | 15                            | 45             | 94.5         | 44           | 45             | 95           | 30           | 45             | 93           | 30           | 142                      |
| 45.0                        | ⌀ 3.9              | 15                            | 45             | 94.5         | 44           | 45             | 95           | 30           | 45             | 93           | 30           | 142                      |
| 50.0                        | ⌀ 4.3              | 15                            | 45             | 94.5         | 44           | 45             | 95           | 30           | 45             | 93           | 30           | 142                      |
| 55.0                        | ⌀ 4.8              | 15                            | 45             | 94.5         | 44           | 45             | 95           | 30           | 45             | 93           | 30           | 142                      |
| 60.0                        | ⌀ 5.2              | 15                            | 45             | 94.5         | 44           | 45             | 95           | 30           | 45             | 93           | 30           | 142                      |
| 65.0                        | ⌀ 5.7              | 15                            | 50             | 96           | 40           | 50             | 96.5         | 25           | 50             | 94.5         | 25           | 178                      |
| 70.0                        | ⌀ 6.1              | 15                            | 50             | 96           | 40           | 50             | 96.5         | 25           | 50             | 94.5         | 25           | 178                      |
| 75.0                        | ⌀ 6.5              | 15                            | 50             | 96           | 40           | 50             | 96.5         | 25           | 50             | 94.5         | 25           | 178                      |
| 80.0                        | ⌀ 7.0              | 15                            | 50             | 121          | 40           | 50             | 121.5        | 25           | 50             | 119.5        | 25           | 224                      |
| 90.0                        | ⌀ 7.8              | 15                            | 50             | 121          | 40           | 50             | 121.5        | 25           | 50             | 119.5        | 25           | 224                      |
| 100.0                       | ⌀ 8.7              | 15                            | 50             | 121          | 40           | 50             | 121.5        | 25           | 50             | 119.5        | 25           | 224                      |

⌀ Capacitor produced according EN60252 standard with Arcotronics self-certification

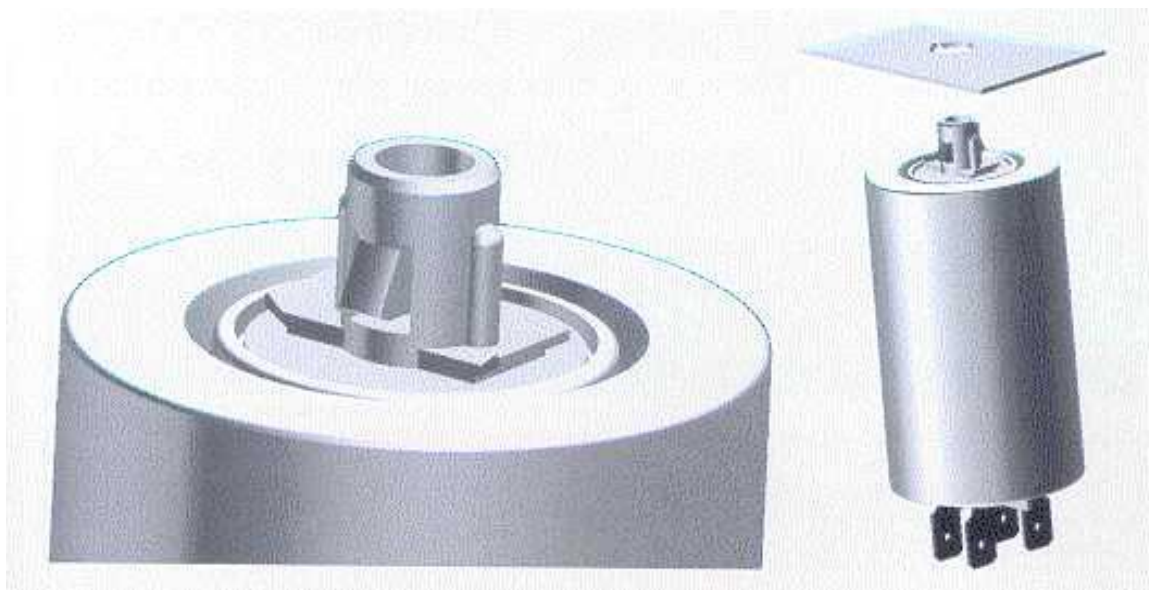
**CASE WITHOUT FIXING BOLT**

| Rated Cap.<br>$\mu\text{F}$ | Rated Current<br>A | Max dv/dt<br>V/ $\mu\text{s}$ | FAST-ON        |              |              | BIPOLAR CABLE  |              |              | UNIPOLAR       |              |              | Weight<br>(FAST-ON)<br>g |     |
|-----------------------------|--------------------|-------------------------------|----------------|--------------|--------------|----------------|--------------|--------------|----------------|--------------|--------------|--------------------------|-----|
|                             |                    |                               | Diameter<br>mm | Height<br>mm | Pack.<br>pcs | Diameter<br>mm | Height<br>mm | Pack.<br>pcs | Diameter<br>mm | Height<br>mm | Pack.<br>pcs |                          |     |
| 1.0                         | 0.1                | 15                            | 25             | 56.5         | 162          | 25             | 57           | 99           | 25             | 55           | 99           | 26                       |     |
| 1.5                         | 0.1                | 15                            | 25             | 56.5         | 162          | 25             | 57           | 99           | 25             | 55           | 99           | 26                       |     |
| 2.0                         | 0.2                | 15                            | 25             | 56.5         | 162          | 25             | 57           | 99           | 25             | 55           | 99           | 26                       |     |
| 2.5                         | 0.2                | 15                            | 25             | 56.5         | 162          | 25             | 57           | 99           | 25             | 55           | 99           | 26                       |     |
| 3.0                         | 0.3                | 15                            | 25             | 56.5         | 162          | 25             | 57           | 99           | 25             | 55           | 99           | 26                       |     |
| 3.5                         | 0.3                | 15                            | 25             | 56.5         | 162          | 25             | 57           | 99           | 25             | 55           | 99           | 26                       |     |
| 4.0                         | 0.3                | 15                            | 25             | 56.5         | 162          | 25             | 57           | 99           | 25             | 55           | 99           | 26                       |     |
| 4.5                         | 0.3                | 15                            | 25             | 56.5         | 162          | 25             | 57           | 99           | 25             | 55           | 99           | 26                       |     |
| 5.0                         | 0.4                | 15                            | 25             | 56.5         | 162          | 25             | 57           | 99           | 25             | 55           | 99           | 26                       |     |
| 6.0                         | 0.5                | 15                            | 30             | 56.5         | 110          | 30             | 57           | 68           | 30             | 55           | 68           | 38                       |     |
| 6.3                         | 0.5                | 15                            | 30             | 56.5         | 110          | 30             | 57           | 68           | 30             | 55           | 68           | 38                       |     |
| 7.0                         | 0.6                | 15                            | 30             | 56.5         | 110          | 30             | 57           | 68           | 30             | 55           | 68           | 38                       |     |
| 8.0                         | 0.7                | 15                            | 30             | 56.5         | 110          | 30             | 57           | 68           | 30             | 55           | 68           | 38                       |     |
| 9.0                         | 0.8                | 15                            | 30             | 56.5         | 110          | 30             | 57           | 68           | 30             | 55           | 68           | 38                       |     |
| 10.0                        | 0.9                | 15                            | 30             | 56.5         | 110          | 30             | 57           | 68           | 30             | 55           | 68           | 38                       |     |
| 12.0                        | 1.0                | 15                            | 35             | 56.5         | 86           | 35             | 57           | 52           | 35             | 55           | 52           | 52                       |     |
| 14.0                        | 1.2                | 15                            | 35             | 56.5         | 86           | 35             | 57           | 52           | 35             | 55           | 52           | 52                       |     |
| 16.0                        | 1.4                | 15                            | 35             | 73.5         | 86           | 35             | 71.5         | 52           | 35             | 69.5         | 52           | 68                       |     |
| 18.0                        | 1.6                | 15                            | 35             | 73.5         | 86           | 35             | 71.5         | 52           | 35             | 69.5         | 52           | 68                       |     |
| 20.0                        | 1.7                | 15                            | 35             | 73.5         | 86           | 35             | 71.5         | 52           | 35             | 69.5         | 52           | 68                       |     |
| 22.0                        | 1.9                | 15                            | 35             | 73.5         | 86           | 35             | 71.5         | 52           | 35             | 69.5         | 52           | 68                       |     |
| 25.0                        | 2.2                | 15                            | 40             | 73.5         | 60           | 40             | 71.5         | 39           | 40             | 69.5         | 39           | 88                       |     |
| 30.0                        | 2.6                | 15                            | 40             | 73.5         | 60           | 40             | 71.5         | 39           | 40             | 69.5         | 39           | 88                       |     |
| 31.5                        | 2.7                | 15                            | 45             | 74           | 50           | 45             | 71.5         | 30           | 45             | 69.5         | 30           | 112                      |     |
| 35.0                        | 3.0                | 15                            | 45             | 74           | 50           | 45             | 71.5         | 30           | 45             | 69.5         | 30           | 112                      |     |
| 40.0                        | 3.5                | 15                            | 45             | 94.5         | 44           | 45             | 95           | 30           | 45             | 93           | 30           | 142                      |     |
| 45.0                        | ⊖                  | 3.9                           | 15             | 45           | 94.5         | 44             | 45           | 95           | 30             | 45           | 93           | 30                       | 142 |
| 50.0                        | ⊖                  | 4.3                           | 15             | 45           | 94.5         | 44             | 45           | 95           | 30             | 45           | 93           | 30                       | 142 |
| 55.0                        | ⊖                  | 4.8                           | 15             | 45           | 94.5         | 44             | 45           | 95           | 30             | 45           | 93           | 30                       | 142 |
| 60.0                        | ⊖                  | 5.2                           | 15             | 45           | 94.5         | 44             | 45           | 95           | 30             | 45           | 93           | 30                       | 142 |
| 65.0                        | ⊖                  | 5.7                           | 15             | 50           | 94.5         | 40             | 50           | 95           | 25             | 50           | 93           | 25                       | 178 |
| 70.0                        | ⊖                  | 6.1                           | 15             | 50           | 94.5         | 40             | 50           | 95           | 25             | 50           | 93           | 25                       | 178 |
| 75.0                        | ⊖                  | 6.5                           | 15             | 50           | 94.5         | 40             | 50           | 95           | 25             | 50           | 93           | 25                       | 178 |
| 80.0                        | ⊖                  | 7.0                           | 15             | 50           | 118.5        | 40             | 50           | 119          | 25             | 50           | 117          | 25                       | 224 |
| 90.0                        | ⊖                  | 7.8                           | 15             | 50           | 118.5        | 40             | 50           | 119          | 25             | 50           | 117          | 25                       | 224 |
| 100.0                       | ⊖                  | 8.7                           | 15             | 50           | 118.5        | 40             | 50           | 119          | 25             | 50           | 117          | 25                       | 224 |

⊖ Capacitor produced according EN60252 standard with Arcotronics self-certification

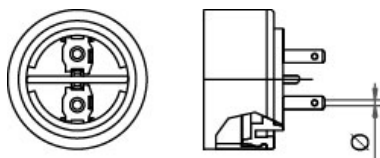
**CASE WITH QUICK FITTING DEVICE**

| Rated Cap.<br>$\mu\text{F}$ | Rated Current<br>A | Max dv/dt<br>V/ $\mu\text{s}$ | FAST-ON        |              |              | BIPOLAR CABLE  |              |              | UNIPOLAR       |              |              | Weight<br>(FAST-ON)<br>g |
|-----------------------------|--------------------|-------------------------------|----------------|--------------|--------------|----------------|--------------|--------------|----------------|--------------|--------------|--------------------------|
|                             |                    |                               | Diameter<br>mm | Height<br>mm | Pack.<br>pcs | Diameter<br>mm | Height<br>mm | Pack.<br>pcs | Diameter<br>mm | Height<br>mm | Pack.<br>pcs |                          |
| 1.0                         | 0.1                | 15                            | 25             | 56.5         | 162          | 25             | 57           | 99           | 25             | 55           | 99           | 26                       |
| 1.5                         | 0.1                | 15                            | 25             | 56.5         | 162          | 25             | 57           | 99           | 25             | 55           | 99           | 26                       |
| 2.0                         | 0.2                | 15                            | 25             | 56.5         | 162          | 25             | 57           | 99           | 25             | 55           | 99           | 26                       |
| 2.5                         | 0.2                | 15                            | 25             | 56.5         | 162          | 25             | 57           | 99           | 25             | 55           | 99           | 26                       |
| 3.0                         | 0.3                | 15                            | 25             | 56.5         | 162          | 25             | 57           | 99           | 25             | 55           | 99           | 26                       |
| 3.5                         | 0.3                | 15                            | 25             | 56.5         | 162          | 25             | 57           | 99           | 25             | 55           | 99           | 26                       |
| 4.0                         | 0.3                | 15                            | 25             | 56.5         | 162          | 25             | 57           | 99           | 25             | 55           | 99           | 26                       |
| 4.5                         | 0.3                | 15                            | 25             | 56.5         | 162          | 25             | 57           | 99           | 25             | 55           | 99           | 26                       |
| 5.0                         | 0.4                | 15                            | 25             | 56.5         | 162          | 25             | 57           | 99           | 25             | 55           | 99           | 26                       |
| 6.0                         | 0.5                | 15                            | 30             | 56.5         | 110          | 30             | 57           | 68           | 30             | 55           | 68           | 38                       |
| 6.3                         | 0.5                | 15                            | 30             | 56.5         | 110          | 30             | 57           | 68           | 30             | 55           | 68           | 38                       |
| 7.0                         | 0.6                | 15                            | 30             | 56.5         | 110          | 30             | 57           | 68           | 30             | 55           | 68           | 38                       |
| 8.0                         | 0.7                | 15                            | 30             | 56.5         | 110          | 30             | 57           | 68           | 30             | 55           | 68           | 38                       |
| 9.0                         | 0.8                | 15                            | 30             | 56.5         | 110          | 30             | 57           | 68           | 30             | 55           | 68           | 38                       |
| 10.0                        | 0.9                | 15                            | 30             | 56.5         | 110          | 30             | 57           | 68           | 30             | 55           | 68           | 38                       |
| 12.0                        | 1.0                | 15                            | 35             | 56.5         | 86           | 35             | 57           | 52           | 35             | 55           | 52           | 52                       |
| 14.0                        | 1.2                | 15                            | 35             | 56.5         | 86           | 35             | 57           | 52           | 35             | 55           | 52           | 52                       |
| 16.0                        | 1.4                | 15                            | 35             | 73.5         | 86           |                |              |              |                |              |              | 68                       |
| 18.0                        | 1.6                | 15                            | 35             | 73.5         | 104          |                |              |              |                |              |              | 68                       |
| 20.0                        | 1.7                | 15                            | 35             | 73.5         | 104          |                |              |              |                |              |              | 68                       |
| 22.0                        | 1.9                | 15                            | 35             | 73.5         | 104          |                |              |              |                |              |              | 68                       |





**C.27. SERIES Fast-on 2.8 mm with Hole**

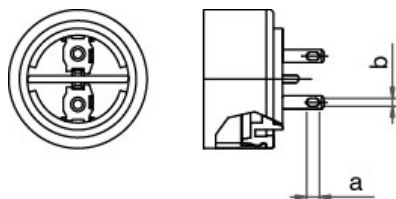


| TYPE OF TERMINAL  | FAST-ON 2.8 WITH HOLE                              |
|-------------------|--|
| Execution:        | Standard   |
| Protection degree | IP00   |
| Wire Material     | Steel tinned by electrolysis                       |
| Length            | 2.8 mm   |
| Thickness         | 0.8 mm   |
| Hole Diameter     | 1.3  |
| Standard          | DIN46244   |
| Nut               | Steel coated with zinc M8 UNI5589 DIN 936          |
| Washer            | Diameter 8.4 White steel coated with zinc DIN 6798 |

|   |   |   |   |   |   |            |   |   |   |   |   |   |   |   |   |
|---|---|---|---|---|---|------------|---|---|---|---|---|---|---|---|---|
| <i>Metal bolt / quick fit execution</i> | C | 2 | 7 | - | - | <b>C/D</b> | 1 | - | - | - | - | A | A | - | - |
|---|---|---|---|---|---|------------|---|---|---|---|---|---|---|---|---|

|                        |   |   |   |   |   |          |   |   |   |   |   |   |   |   |   |
|------------------------|---|---|---|---|---|----------|---|---|---|---|---|---|---|---|---|
| <i>Basic execution</i> | C | 2 | 7 | - | - | <b>A</b> | 1 | - | - | - | - | A | A | - | - |
|------------------------|---|---|---|---|---|----------|---|---|---|---|---|---|---|---|---|

**C.27. SERIES Fast-on 2.8 mm with Slot**

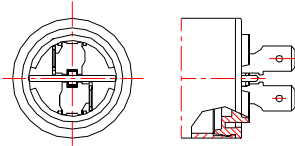


| TYPE OF TERMINAL  | FAST ON 2.8 WITH SLOT (SOLDERING TERMINALS)        |
|-------------------|--|
| Execution:        | On request   |
| Protection degree | IP00   |
| Wire material     | Steel tinned by electrolysis                       |
| Length            | 2.8 mm   |
| Thickness         | 0.8 mm   |
| Slot a x b        | 2.8 x 1.7  |
| Standard          | DIN46244   |
| Nut               | Steel coated with zinc M8 UNI5589 DIN 936          |
| Washer            | Diameter 8.4 White steel coated with zinc DIN 6798 |

|   |   |   |   |   |   |            |   |   |   |   |   |   |   |   |   |
|---|---|---|---|---|---|------------|---|---|---|---|---|---|---|---|---|
| <i>Metal bolt / quick fit execution</i> | C | 2 | 7 | - | - | <b>C/D</b> | 4 | - | - | - | - | A | A | - | - |
|---|---|---|---|---|---|------------|---|---|---|---|---|---|---|---|---|

|                        |   |   |   |   |   |          |   |   |   |   |   |   |   |   |   |
|------------------------|---|---|---|---|---|----------|---|---|---|---|---|---|---|---|---|
| <i>Basic execution</i> | C | 2 | 7 | - | - | <b>A</b> | 4 | - | - | - | - | A | A | - | - |
|------------------------|---|---|---|---|---|----------|---|---|---|---|---|---|---|---|---|

### C.27. SERIES Single Fast-on 6.3 mm

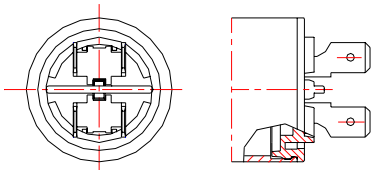


| TERMINAL          | FAST-ON 6.3 (SINGLE)                               |
|-------------------|--|
| Execution:        | Standard   |
| Protection degree | IP00   |
| Wire material     | Steel tinned by electrolysis                       |
| Length            | 6.3 mm   |
| Thickness         | 0.8 mm   |
| Standard          | DIN46244   |
| Nut               | Steel coated with zinc M8 UNI5589 DIN 936          |
| Washer            | Diameter 8.4 White steel coated with zinc DIN 6798 |

|   |   |   |   |   |   |            |          |   |   |   |   |   |   |   |   |
|---|---|---|---|---|---|------------|----------|---|---|---|---|---|---|---|---|
| <i>Metal bolt / quick fit execution</i> | C | 2 | 7 | - | - | <b>C/D</b> | <b>2</b> | - | - | - | - | A | A | - | - |
|---|---|---|---|---|---|------------|----------|---|---|---|---|---|---|---|---|

|                        |   |   |   |   |   |          |          |   |   |   |   |   |   |   |   |
|------------------------|---|---|---|---|---|----------|----------|---|---|---|---|---|---|---|---|
| <i>Basic execution</i> | C | 2 | 7 | - | - | <b>A</b> | <b>2</b> | - | - | - | - | A | A | - | - |
|------------------------|---|---|---|---|---|----------|----------|---|---|---|---|---|---|---|---|

### C.27. SERIES Double Fast-on 6.3 mm



| TYPE OF TERMINAL  | FAST-ON 6.3MM (DOUBLE)                             |
|-------------------|--|
| Execution:        | Standard   |
| Protection degree | IP00   |
| Wire material     | Steel tinned by electrolysis                       |
| Length            | 6.3 mm   |
| Thickness         | 0.8 mm   |
| Standard          | DIN46244   |
| Nut               | Steel coated with zinc M8 UNI5589 DIN 936          |
| Washer            | Diameter 8.4 White steel coated with zinc DIN 6798 |

|   |   |   |   |   |   |            |          |   |   |   |   |   |   |   |   |
|---|---|---|---|---|---|------------|----------|---|---|---|---|---|---|---|---|
| <i>Metal bolt / quick fit execution</i> | C | 2 | 7 | - | - | <b>C/D</b> | <b>3</b> | - | - | - | - | A | A | - | - |
|---|---|---|---|---|---|------------|----------|---|---|---|---|---|---|---|---|

|                        |   |   |   |   |   |          |          |   |   |   |   |   |   |   |   |
|------------------------|---|---|---|---|---|----------|----------|---|---|---|---|---|---|---|---|
| <i>Basic execution</i> | C | 2 | 7 | - | - | <b>A</b> | <b>3</b> | - | - | - | - | A | A | - | - |
|------------------------|---|---|---|---|---|----------|----------|---|---|---|---|---|---|---|---|

### C.27. SERIES Bipolar Cable Standard Execution



Cable mark : H05 V2 V2-F 90°C

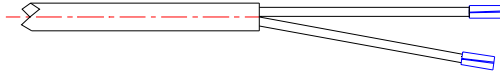
| TYPE                  | FLEXIBLE BIPOLAR CABLE FOR HIGH TEMPERATURE |
|-----------------------|---|
| Execution:            | Standard                                    |
| Protection degree     | IP55  |
| Cable                 | PVC (Polyvinyl chloride)                    |
| Designation           | H05V2V2-F                                   |
| Standard              | CEI 20 – 20                                 |
| Operating Temperature | 90 °C                                       |
| Conductor             | Flexible soft copper wire 2 x 0.75 sq.mm    |
| Insulating            | Polyvinyl chloride TI3                      |
| Sleeve                | Polyvinyl chloride TM3                      |
| Conductors colour     | Blue / Brown                                |
| Cable stripping. (Sg) | 40 mm                                       |
| Cable peeling (Sp)    | 8 mm  |
| Finishing             | Tinning                                     |

| <i>Metal bolt / quick fit execution</i> | C | 2 | 7 | - | - | C/D | F | - | - | - | - |  |   | - | - |  |
|---|---|---|---|---|---|-----|---|---|---|---|---|--|---|---|---|--|
| Total length                            |   |   |   |   |   |     |   |   |   |   |   |  |   |   |   |  |
| S = 150 mm                              |   |   |   |   |   | C/D | F |   |   |   |   |  | L | D |   |  |
| S = 200 mm                              |   |   |   |   |   | C/D | F |   |   |   |   |  | L | E |   |  |
| S = 250 mm                              |   |   |   |   |   | C/D | F |   |   |   |   |  | L | F |   |  |
| S = 300 mm                              |   |   |   |   |   | C/D | F |   |   |   |   |  | L | G |   |  |
| S = 350 mm                              |   |   |   |   |   | C/D | F |   |   |   |   |  | L | H |   |  |
| S = 400 mm                              |   |   |   |   |   | C/D | F |   |   |   |   |  | L | I |   |  |

| <i>Basic execution</i> | C | 2 | 7 | - | - | A | F | - | - | - | - |  |   | - | - |  |
|------------------------|---|---|---|---|---|---|---|---|---|---|---|--|---|---|---|--|
| Total Length           |   |   |   |   |   |   |   |   |   |   |   |  |   |   |   |  |
| S = 150 mm             |   |   |   |   |   | A | F |   |   |   |   |  | L | D |   |  |
| S = 200 mm             |   |   |   |   |   | A | F |   |   |   |   |  | L | E |   |  |
| S = 250 mm             |   |   |   |   |   | A | F |   |   |   |   |  | L | F |   |  |
| S = 300 mm             |   |   |   |   |   | A | F |   |   |   |   |  | L | G |   |  |
| S = 350 mm             |   |   |   |   |   | A | F |   |   |   |   |  | L | H |   |  |
| S = 400 mm             |   |   |   |   |   | A | F |   |   |   |   |  | L | I |   |  |

For applications requiring a specific termination, Arcotronics supplies a full range of capacitors with a bipolar cable provided with terminal. The material used (Brass – Cu Zn) provided with tinning (Gal Sn) determines the quality and reliability of the connections also in the case of very high temperatures (155°C).

**C.27. SERIES Bipolar Cable Pin Terminals**

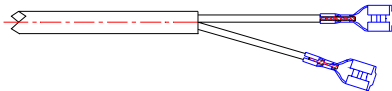


|                      |  |  |  |  |  |  |  |  |  |  |  |  |  |  |
|----------------------|--|--|--|--|--|--|--|--|--|--|--|--|--|--|
| <b>TYPE</b>          | <b>BIPOLAR CABLE WITH PIN TERMINAL</b> |  |  |  |  |  |  |  |  |  |  |  |  |  |
| <b>Execution:</b>    | <b>Special</b>                         |  |  |  |  |  |  |  |  |  |  |  |  |  |
| Cable unsheathing    | 40 mm                                  |  |  |  |  |  |  |  |  |  |  |  |  |  |
| <b>Terminations:</b> |  |  |  |  |  |  |  |  |  |  |  |  |  |  |
| Point material       | Cu Zn gal Sn                           |  |  |  |  |  |  |  |  |  |  |  |  |  |
| Material thickness   | 0.25 mm                                |  |  |  |  |  |  |  |  |  |  |  |  |  |
| Terminal length      | 7 mm                                   |  |  |  |  |  |  |  |  |  |  |  |  |  |

|   |   |   |   |   |   |     |   |   |   |   |   |   |   |   |   |
|---|---|---|---|---|---|-----|---|---|---|---|---|---|---|---|---|
| <i>Metal bolt / quick fit execution</i> | C | 2 | 7 | - | - | C/D | J | - | - | - | - | * | * | - | - |
| Total length S = 300 mm                 |   |   |   |   |   | C/D | J |   |   |   |   | L | G |   |   |

|                        |   |   |   |   |   |   |   |   |   |   |   |   |   |   |   |
|------------------------|---|---|---|---|---|---|---|---|---|---|---|---|---|---|---|
| <i>Basic execution</i> | C | 2 | 7 | - | - | A | J | - | - | - | - | * | * | - | - |
| Total length S = 300mm |   |   |   |   |   | A | J |   |   |   |   | L | G |   |   |

**C.27. SERIES Bipolar Cable Straight Fast-on 6.3 mm**

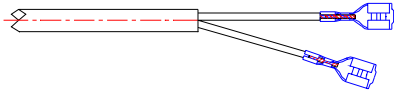


|                    |  |  |  |  |  |  |  |  |  |  |  |  |  |  |
|--------------------|--|--|--|--|--|--|--|--|--|--|--|--|--|--|
| <b>TYPE</b>        | <b>BIPOLAR CABLE WITH STRAIGHT FAST-ON 6.3</b> |  |  |  |  |  |  |  |  |  |  |  |  |  |
| <b>Execution:</b>  | <b>Special</b>                                 |  |  |  |  |  |  |  |  |  |  |  |  |  |
| Termination:       | Straight Female Fast-on – 6.3                  |  |  |  |  |  |  |  |  |  |  |  |  |  |
| Cable stripping    | 40 mm  |  |  |  |  |  |  |  |  |  |  |  |  |  |
| Fast – on material | Cu Zn gal Sn                                   |  |  |  |  |  |  |  |  |  |  |  |  |  |
| Material thickness | 0.42 mm  |  |  |  |  |  |  |  |  |  |  |  |  |  |
| Terminal length    | 19.3 mm  |  |  |  |  |  |  |  |  |  |  |  |  |  |

|   |   |   |   |   |   |     |   |   |   |   |   |   |   |   |   |
|---|---|---|---|---|---|-----|---|---|---|---|---|---|---|---|---|
| <i>Metal bolt / quick fit execution</i> | C | 2 | 7 | - | - | C/D | H | - | - | - | - | * | * | - | - |
| Total length S = 300 mm                 |   |   |   |   |   | C/D | H |   |   |   |   | L | G |   |   |

|                         |   |   |   |   |   |   |   |   |   |   |   |   |   |   |   |
|-------------------------|---|---|---|---|---|---|---|---|---|---|---|---|---|---|---|
| <i>Basic execution</i>  | C | 2 | 7 | - | - | A | H | - | - | - | - | * | * | - | - |
| Total length S = 300 mm |   |   |   |   |   | A | H |   |   |   |   | L | G |   |   |

**C.27. SERIES Bipolar Cable Straight Female Fast-on 4.8 mm**

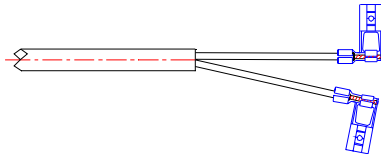


|                    |   |  |  |  |  |  |  |  |  |  |  |  |  |  |
|--------------------|---|--|--|--|--|--|--|--|--|--|--|--|--|--|
| <b>TYPE</b>        | <b>BIPOLAR CABLE WITH STRAIGHT FEMALE FAST-ON 4.8</b> |  |  |  |  |  |  |  |  |  |  |  |  |  |
| <b>Execution:</b>  | <b>Special</b>  |  |  |  |  |  |  |  |  |  |  |  |  |  |
| Termination:       | Straight female fast-on – 4.8                         |  |  |  |  |  |  |  |  |  |  |  |  |  |
| Cable unsheathing  | 40 mm   |  |  |  |  |  |  |  |  |  |  |  |  |  |
| Fast-on material   | Cu Zn gal Sn  |  |  |  |  |  |  |  |  |  |  |  |  |  |
| Material thickness | 0.35 mm   |  |  |  |  |  |  |  |  |  |  |  |  |  |
| Terminal length    | 15.6 mm   |  |  |  |  |  |  |  |  |  |  |  |  |  |

|   |   |   |   |   |   |     |   |   |   |   |   |   |   |   |   |
|---|---|---|---|---|---|-----|---|---|---|---|---|---|---|---|---|
| <i>Metal bolt / quick fit execution</i> | C | 2 | 7 | - | - | C/D | G | - | - | - | - | * | * | - | - |
| Total length S = 300 mm                 |   |   |   |   |   | C/D | G |   |   |   |   | L | G |   |   |

|                         |   |   |   |   |   |   |   |   |   |   |   |   |   |   |   |
|-------------------------|---|---|---|---|---|---|---|---|---|---|---|---|---|---|---|
| <i>Basic execution</i>  | C | 2 | 7 | - | - | A | G | - | - | - | - | * | * | - | - |
| Total length S = 300 mm |   |   |   |   |   | A | G |   |   |   |   | L | G |   |   |

**C.27. SERIES Bipolar Cable Flag Female Fast-on 4.8 mm**

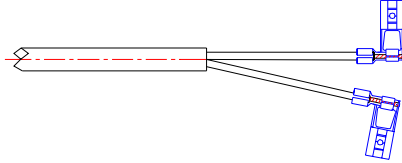


|                    |   |  |  |  |  |  |  |  |  |  |  |  |  |  |
|--------------------|---|--|--|--|--|--|--|--|--|--|--|--|--|--|
| <b>TYPE</b>        | <b>BIPOLAR CABLE WITH FEMALE FLAG FAST-ON 4.8</b> |  |  |  |  |  |  |  |  |  |  |  |  |  |
| <b>Execution:</b>  | <b>Special</b>                                    |  |  |  |  |  |  |  |  |  |  |  |  |  |
| Fast-on material   | Cu Zn gal Sn                                      |  |  |  |  |  |  |  |  |  |  |  |  |  |
| Material thickness | 0.35 mm   |  |  |  |  |  |  |  |  |  |  |  |  |  |
| Terminal length    | 12.5 mm   |  |  |  |  |  |  |  |  |  |  |  |  |  |

|   |   |   |   |   |   |     |   |   |   |   |   |   |   |   |   |
|---|---|---|---|---|---|-----|---|---|---|---|---|---|---|---|---|
| <i>Metal bolt / quick fit execution</i> | C | 2 | 7 | - | - | C/D | L | - | - | - | - | * | * | - | - |
| Total length S = 300 mm                 |   |   |   |   |   | C/D | L |   |   |   |   | L | G |   |   |

|                         |   |   |   |   |   |   |   |   |   |   |   |   |   |   |   |
|-------------------------|---|---|---|---|---|---|---|---|---|---|---|---|---|---|---|
| <i>Basic execution</i>  | C | 2 | 7 | - | - | A | L | - | - | - | - | * | * | - | - |
| Total length S = 300 mm |   |   |   |   |   | A | L |   |   |   |   | L | G |   |   |

**C.27. SERIES Bipolar Cable Flag Female Fast-on 6.3 mm**

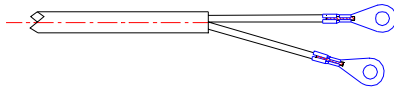


|                    |   |  |  |  |  |  |  |  |  |  |  |  |  |  |  |
|--------------------|---|--|--|--|--|--|--|--|--|--|--|--|--|--|--|
| <b>TYPE</b>        | <b>BIPOLAR CABLE WITH FEMALE FLAG FAST-ON A 6.3</b> |  |  |  |  |  |  |  |  |  |  |  |  |  |  |
| <b>Execution:</b>  | <b>Special</b>                                      |  |  |  |  |  |  |  |  |  |  |  |  |  |  |
| Fast-on material   | Cu Zn gal Sn  |  |  |  |  |  |  |  |  |  |  |  |  |  |  |
| Material thickness | 0.35 mm   |  |  |  |  |  |  |  |  |  |  |  |  |  |  |
| Terminal length    | 12.5 mm   |  |  |  |  |  |  |  |  |  |  |  |  |  |  |

|   |   |   |   |   |   |     |   |   |   |   |   |   |   |   |   |
|---|---|---|---|---|---|-----|---|---|---|---|---|---|---|---|---|
| <i>Metal bolt / quick fit execution</i> | C | 2 | 7 | - | - | C/D | K | - | - | - | - | * | * | - | - |
| Total length S = 300 mm                 |   |   |   |   |   | C/D | K |   |   |   |   | L | G |   |   |

|                         |   |   |   |   |   |   |   |   |   |   |   |   |   |   |   |
|-------------------------|---|---|---|---|---|---|---|---|---|---|---|---|---|---|---|
| <i>Basic execution</i>  | C | 2 | 7 | - | - | A | K | - | - | - | - | * | * | - | - |
| Total length S = 300 mm |   |   |   |   |   | A | K |   |   |   |   | L | G |   |   |

**C.27. SERIES Bipolar Cable Ring Terminals M4**



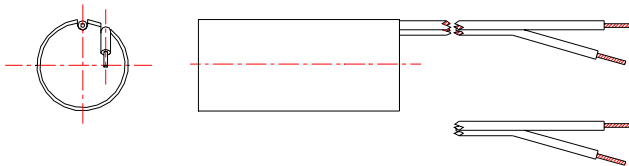
|                    |  |  |  |  |  |  |  |  |  |  |  |  |  |  |  |
|--------------------|--|--|--|--|--|--|--|--|--|--|--|--|--|--|--|
| <b>TYPE</b>        | <b>BIPOLAR CABLE WITH RING TERMINAL M4</b> |  |  |  |  |  |  |  |  |  |  |  |  |  |  |
| <b>Execution:</b>  | <b>Special</b>                             |  |  |  |  |  |  |  |  |  |  |  |  |  |  |
| Terminal material  | Cu Zn gal Sn                               |  |  |  |  |  |  |  |  |  |  |  |  |  |  |
| Material thickness | 0.40 mm                                    |  |  |  |  |  |  |  |  |  |  |  |  |  |  |
| Ring diameter      | 4 mm                                       |  |  |  |  |  |  |  |  |  |  |  |  |  |  |

|   |   |   |   |   |   |     |   |   |   |   |   |   |   |   |   |
|---|---|---|---|---|---|-----|---|---|---|---|---|---|---|---|---|
| <i>Metal bolt / quick fit execution</i> | C | 2 | 7 | - | - | C/D | I | - | - | - | - | * | * | - | - |
| Total length S=300 mm                   |   |   |   |   |   | C/D | I |   |   |   |   | L | G |   |   |

|                        |   |   |   |   |   |   |   |   |   |   |   |   |   |   |   |
|------------------------|---|---|---|---|---|---|---|---|---|---|---|---|---|---|---|
| <i>Basic execution</i> | C | 2 | 7 | - | - | A | I | - | - | - | - | * | * | - | - |
| Total length S=300mm   |   |   |   |   |   | A | I |   |   |   |   | L | G |   |   |

The range of capacitors belonging to C.27 series with a PVC unipolar cable has been specifically designed for applications in circulators and pumps fields. The cable is harmonised according to CEI 20-20 standards ( CENELEC HD21) for an operating temperature of 90°C, but assures a maximum temperature up to 105°C.

**C.27. SERIES Unipolar Cable Flexible**

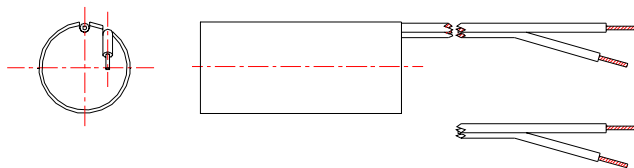


|                           |   |
|---------------------------|---|
| <b>TYPE</b>               | <b>PVC INSULATED UNIPOLAR CABLE, WITHOUT SLEEVE FOR HIGH TEMPERATURES</b> |
| Execution:                | Standard  |
| Protection degree         | IP55  |
| Cable                     | PVC (Polyvinyl chloride)  |
| Designation               | H05V2-U   |
| Standard                  | CEI 20 – 20   |
| Operating temperature     | 90 °C   |
| <b>Conductor</b>          | <b>FLEXIBLE SOFT COPPER WIRE</b>  |
| Section                   | 0.75 sq.mm  |
| Insulating                | Good quality Polyvinyl chloride TI3                                       |
| Insulating: Ext. diameter | 2.4 mm (±0.2)   |
| Sleeve                    | Absent  |
| Conductor colour          | White   |
| Rated voltage             | 300 / 500 V   |
| Cable unsheathing         | 8 mm  |
| Finishing                 | Tinning   |

|   |   |   |   |   |   |            |          |   |   |   |   |          |          |   |   |
|---|---|---|---|---|---|------------|----------|---|---|---|---|----------|----------|---|---|
| <i>Metal bolt / quick fit execution</i> | C | 2 | 7 | - | - | <b>C/D</b> |          | - | - | - | - | *        | *        | - | - |
| S = 100 mm                              |   |   |   |   |   |            | <b>A</b> |   |   |   |   | <b>A</b> | <b>C</b> |   |   |
| S = 150 mm                              |   |   |   |   |   |            | <b>A</b> |   |   |   |   | <b>A</b> | <b>D</b> |   |   |
| S = 200 mm                              |   |   |   |   |   |            | <b>A</b> |   |   |   |   | <b>A</b> | <b>E</b> |   |   |

|                        |   |   |   |   |   |          |          |   |   |   |   |          |          |   |   |
|------------------------|---|---|---|---|---|----------|----------|---|---|---|---|----------|----------|---|---|
| <i>Basic execution</i> | C | 2 | 7 | - | - | <b>A</b> |          | - | - | - | - | *        | *        | - | - |
| S = 100 mm             |   |   |   |   |   |          | <b>A</b> |   |   |   |   | <b>A</b> | <b>C</b> |   |   |
| S = 150 mm             |   |   |   |   |   |          | <b>A</b> |   |   |   |   | <b>A</b> | <b>D</b> |   |   |
| S = 200 mm             |   |   |   |   |   |          | <b>A</b> |   |   |   |   | <b>A</b> | <b>E</b> |   |   |

**C.27 SERIES. Unipolar Cable Stiff Wires**



|                           |   |
|---------------------------|---|
| <b>TYPE</b>               | <b>PVC INSULATED UNIPOLAR CABLE, WITHOUT SLEEVE FOR HIGH TEMPERATURES</b> |
| Execution:                | Standard  |
| Protection degree         | IP55  |
| Cable                     | PVC (Polyvinyl chloride)  |
| Designation               | H05V2-U   |
| Standard                  | CEI 20 – 20   |
| Operating temperature     | 90 °C   |
| <b>Conductor</b>          | <b>SINGLE SOFT COPPER WIRE</b>  |
| Section                   | 0.75 sq.mm  |
| Insulating                | Good quality Polyvinyl chloride T13                                       |
| Insulating: ext. diameter | 2.3 mm (±0.2)   |
| Sleeve                    | Absent  |
| Conductors colour         | White   |
| Rated voltage             | 300 / 500 V   |
| Cable unsheathing         | 8 mm  |
| Cable: Minimum length     | 60 mm   |
| Cable: Maximum length     | 250mm   |

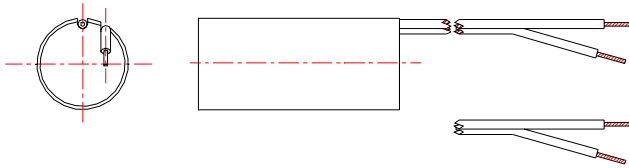
|   |   |   |   |   |   |     |   |   |   |   |   |   |   |   |   |
|---|---|---|---|---|---|-----|---|---|---|---|---|---|---|---|---|
| <i>Metal bolt / quick fit execution</i> | C | 2 | 7 | - | - | C/D |   | - | - | - | - | * | * | - | - |
| Total length S = 100 mm                 |   |   |   |   |   | C/D | R |   |   |   |   | A | C |   |   |
| S = 150 mm                              |   |   |   |   |   | C/D | R |   |   |   |   | A | D |   |   |

|                         |   |   |   |   |   |   |   |   |   |   |   |   |   |   |   |
|-------------------------|---|---|---|---|---|---|---|---|---|---|---|---|---|---|---|
| <i>Basic execution</i>  | C | 2 | 7 | - | - | A |   | - | - | - | - | * | * | - | - |
| Total length S = 100 mm |   |   |   |   |   | A | R |   |   |   |   | A | C |   |   |
| S = 150 mm              |   |   |   |   |   | A | R |   |   |   |   | A | D |   |   |



**Unipolar Cable Flexible High Temperature**

The range of high temperature capacitors HT has been specifically designed for applications where a long life must be assured with high temperatures i.e. for circulators pumps. The capacitors have been approved by VDE in compliance with EN60252 standard for a maximum operating temperature up to 100°C, the expected life at 100 °C @ 400 Vac is 10000 H.



|                        |   |
|------------------------|---|
| Operating Temperature: |   |
| Minimum / Maximum      | -25°C / + 100°C   |
| Expected Life          | 10000 H (CLASS B) at 400 Vac 100 °C<br>10000 H (CLASS B) at 470 Vac 85 °C<br>30000 H (CLASS A) at 420 Vac 85 °C |
| Approval:              | EN60252 (VDE)   |
| Capacitance:           | from 1 to 9 μ F   |
| Standard execution:    | PVC Stiff Cable   |
| Type of cable          | as for  |

|                        |   |   |   |   |   |       |   |   |   |   |   |   |   |   |   |
|------------------------|---|---|---|---|---|-------|---|---|---|---|---|---|---|---|---|
| <i>Basic execution</i> | C | 2 | 7 | 4 | E | *     | A | - | - | - | - | * | * | - | - |
| S = 100 mm             |   |   |   |   |   | A/C/D | A |   |   |   |   | A | C |   |   |
| S = 150 mm             |   |   |   |   |   | A/C/D | A |   |   |   |   | A | D |   |   |
| S = 200 mm             |   |   |   |   |   | A/C/D | A |   |   |   |   | A | E |   |   |

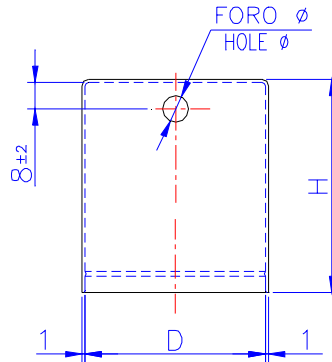
| <b>CAP.</b> | <b>dv/dt Max</b> | <b>Diameter</b> | <b>Height</b> |
|-------------|------------------|-----------------|---------------|
| μF          | V/μs             | φ               | H             |
| 1           | 20               | 25              | 48            |
| 1.5         | 20               | 25              | 48            |
| 2           | 20               | 25              | 48            |
| 2.5         | 20               | 25              | 48            |
| 3           | 20               | 25              | 48            |
| 3.5         | 20               | 30              | 55            |
| 4           | 20               | 30              | 55            |
| 4.5         | 20               | 30              | 55            |
| 5           | 20               | 30              | 55            |
| 6           | 20               | 35              | 55            |
| 6.3         | 20               | 35              | 55            |
| 7           | 20               | 35              | 55            |
| 8           | 20               | 35              | 55            |

**ACCESSORIES PLASTIC PROTECTION CAPACITORS:**

**Mechanical features**

|                   |   |                                   |
|-------------------|---|-----------------------------------|
| Protection degree | ⇒ | IP40                              |
| Material          | ⇒ | Eva Novex V22 H864 (Polyethylene) |
| Selfextinguishing | ⇒ | HB                                |
| Colour            | ⇒ | Natural                           |

**Mechanical drawing**



| D (mm) | H (mm) | HOLE Ø (mm) | CODE           |
|--------|--------|-------------|----------------|
| 25     | 41     | 6           | 20.151.0079.00 |
| 25     | 41     | 8           | 20.151.0022.00 |
| 25     | 41     | 9           | 20.151.0081.00 |
| 30     | 40     | 6           | 20.151.0077.00 |
| 30     | 40     | 8           | 20.151.0023.00 |
| 30     | 65     | 8           | 20.151.0084.00 |
| 30     | 40     | 9           | 20.151.0082.00 |
| 30     | 40     | 10          | 20.151.0083.00 |
| 35     | 40     | 6           | 20.151.0078.00 |
| 35     | 40     | 8           | 20.151.0024.00 |
| 35     | 65     | 8           | 20.151.0085.00 |
| 35     | 40     | 10          | 20.151.0025.00 |
| 35     | 40     | 12          | 20.151.0026.00 |
| 40     | 50     | 6           | 20.151.0030.00 |
| 40     | 50     | 8           | 20.151.0033.00 |
| 40     | 50     | 10          | 20.151.0075.00 |
| 40     | 50     | 12          | 20.151.0035.00 |
| 45     | 50     | 6           | 20.151.0037.00 |
| 45     | 50     | 8           | 20.151.0040.00 |
| 45     | 50     | 10          | 20.151.0076.00 |
| 45     | 50     | 12          | 20.151.0042.00 |
| 50     | 65     | 8           | 20.151.0088.00 |
| 50     | 65     | 8           | 20.151.0089.00 |

### C.27 SERIES – OPTIONS

| Series | Fixing       | Execution                      | Rated Cap.<br>(from, to)<br>μF | Diameter<br>mm | Height<br>mm |
|--------|--------------|--------------------------------|--------------------------------|----------------|--------------|
| C.27/4 | Bolt         | Bipolar cable (unipolar cable) | 3.5 to 5                       | 25             | 71.5 (69.5)  |
| C.27/4 | Bolt         | Bipolar cable (unipolar cable) | 6 to 8                         | 30             | 71.5 (69.5)  |
| C.27/4 | Bolt         | Bipolar cable (unipolar cable) | 14 to 16                       | 35             | 95.5 (93.5)  |
| C.27/4 | Bolt         | Bipolar cable (unipolar cable) | 18 to 22                       | 40             | 95.5 (93.5)  |
| C.27/4 | Bolt         | Bipolar cable (unipolar cable) | 35                             | 50             | 95.5 (93.5)  |
| C.27/4 | Without bolt | Bipolar cable (unipolar cable) | 3.5 to 5                       | 25             | 71.5 (69.5)  |
| C.27/4 | Without bolt | Bipolar cable (unipolar cable) | 6 to 8                         | 30             | 71.5 (69.5)  |
| C.27/4 | Without bolt | Bipolar cable (unipolar cable) | 14 to 16                       | 35             | 95.5 (93.5)  |
| C.27/4 | Without bolt | Bipolar cable (unipolar cable) | 18 to 22                       | 40             | 95.5 (93.5)  |
| C.27/4 | Without bolt | Bipolar cable (unipolar cable) | 35                             | 50             | 120 (119.5)  |
| C.27/6 | Bolt         | Bipolar cable (unipolar cable) | 3.5 to 5                       | 25             | 71.5 (69.5)  |
| C.27/6 | Bolt         | Bipolar cable (unipolar cable) | 6 to 8                         | 30             | 71.5 (69.5)  |
| C.27/6 | Bolt         | Bipolar cable (unipolar cable) | 14 to 16                       | 35             | 95.5 (95.5)  |
| C.27/6 | Bolt         | Bipolar cable (unipolar cable) | 18 to 22                       | 40             | 95.5 (95.5)  |
| C.27/6 | Without bolt | Bipolar cable (unipolar cable) | 3.5 to 5                       | 25             | 71.5 (69.5)  |
| C.27/6 | Without bolt | Bipolar cable (unipolar cable) | 6 to 8                         | 30             | 71.5 (69.5)  |
| C.27/6 | Without bolt | Bipolar cable (unipolar cable) | 14 to 16                       | 35             | 95.5 (95.5)  |
| C.27/6 | Without bolt | Bipolar cable (unipolar cable) | 18 to 22                       | 40             | 95.5 (95.5)  |
| C.27/7 | Bolt         | Bipolar cable (unipolar cable) | 6 to 10                        | 25             | 71.5 (69.5)  |
| C.27/7 | Bolt         | Bipolar cable (unipolar cable) | 12 to 14                       | 30             | 71.5 (69.5)  |
| C.27/7 | Bolt         | Bipolar cable (unipolar cable) | 25 to 30                       | 35             | 95.5 (93.5)  |
| C.27/7 | Bolt         | Bipolar cable (unipolar cable) | 31.5 to 35                     | 40             | 95.5 (93.5)  |
| C.27/7 | Without bolt | Bipolar cable (unipolar cable) | 6 to 10                        | 25             | 71.5 (69.5)  |
| C.27/7 | Without bolt | Bipolar cable (unipolar cable) | 12 to 14                       | 30             | 71.5 (69.5)  |
| C.27/7 | Without bolt | Bipolar cable (unipolar cable) | 25 to 30                       | 35             | 95.5 (93.5)  |
| C.27/7 | Without bolt | Bipolar cable (unipolar cable) | 31.5 to 35                     | 40             | 95.5 (93.5)  |