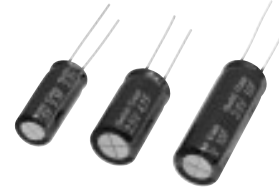


Radial lead Type

Series: **HZ**



■ Features

- Miniaturized, High withstand voltage
- Can be discharge mA or more current
- RoHS directive compliant

■ Recommended Applications

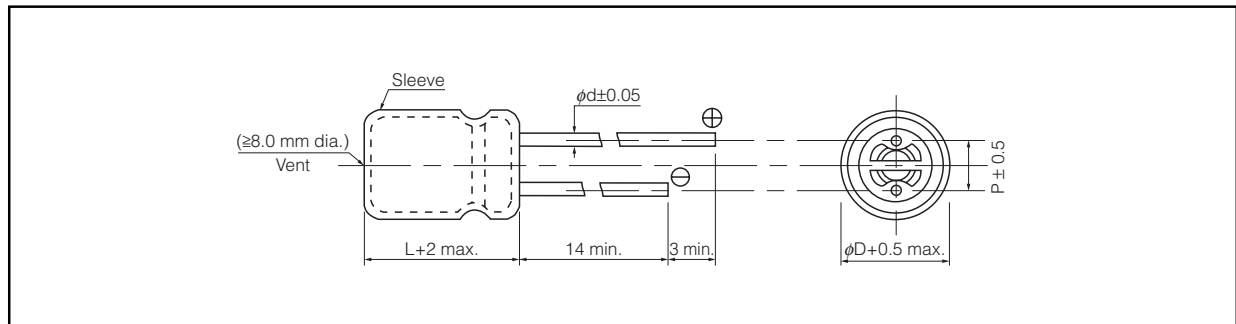
- Solar battery operated circuits
- Back-up Power Supplies (UPS)

■ Specifications

| | | | |
|------------------------------------|---|--|------|
| Category Temp. Range | -25 °C to +60 °C | | |
| Maximum Operating Voltage | 2.5 V.DC | | |
| Nominal Cap. Range | 3.3 F | 4.7 F | 10 F |
| Capacitance Tolerance | -20 % to +40 % | | |
| Characteristics at Low Temperature | Capacitance change | ±30 % of initial measured value at 20 °C (at -25 °C) | |
| | Internal resistance | ≤4 times of initial specified value. (at -25 °C) | |
| Endurance | After 1000 hours application of 2.5 V at +60 °C | | |
| | Capacitance change | ±30 % of initial measured value at 20 °C | |
| Shelf Life | After 1000 hours storage at +60 °C without load (voltage) | | |
| | Capacitance change | ±30 % of initial measured value at 20 °C | |
| Internal resistance | ≤4 times of initial specified value. | | |

■ Dimensions in mm (not to scale)

(Unit : mm)



■ Standard Products

| Category temp. range (°C) | Max. Operating Voltage (V.DC) | Capacitance (F) | Internal resistance (Initial specified value) (Ω) at 1 kHz | Size (mm) | | | | Part number | Mass (g) | Min. Packaging Q'ty (pcs) |
|---------------------------|-------------------------------|-----------------|--|-----------|----|-----|-----|-------------|----------|---------------------------|
| | | | | φD | L | φd | P | | | |
| -25 to +60 | 2.5 | 3.3 | ≤0.3 | 8.0 | 20 | 0.6 | 3.5 | EECHZ0E335 | 1.5 | 200 |
| | | 4.7 | ≤0.3 | 10 | 20 | 0.6 | 5.0 | EECHZ0E475 | 2.1 | 200 |
| | | 10 | ≤0.2 | 10 | 30 | 0.6 | 5.0 | EECHZ0E106 | 3.1 | 200 |

Note : 1. Do not use reflow soldering. (IR, Atmosphere heating methods, etc.)
Please refer to EE208 "Mounting Specifications".

Design and specifications are each subject to change without notice. Ask factory for the current technical specifications before purchase and/or use.
Should a safety concern arise regarding this product, please be sure to contact us immediately.

00 Sep. 2010