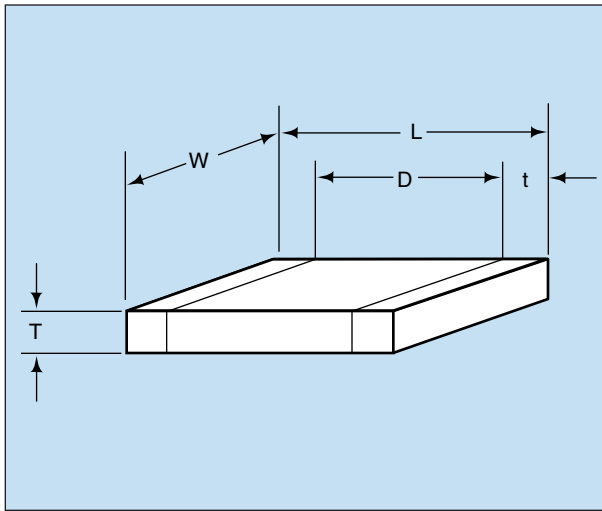


# MIL-PRF-55681/Chips

## Part Number Example

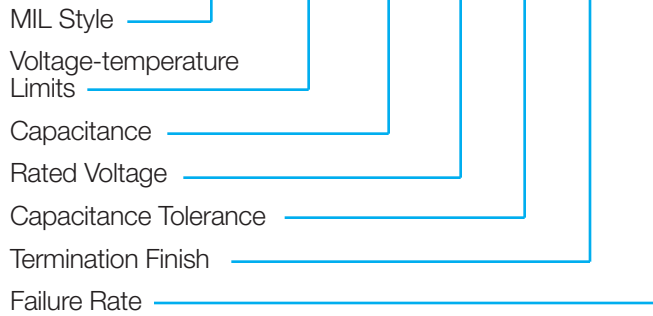
### CDR31 thru CDR35



## MILITARY DESIGNATION PER MIL-PRF-55681

### Part Number Example

(example) **CDR31** **BP** **101** **B** **K** **S** **M**



NOTE: Contact factory for availability of Termination and Tolerance Options for Specific Part Numbers.

**MIL Style:** CDR31, CDR32, CDR33, CDR34, CDR35

#### Voltage Temperature Limits:

BP =  $0 \pm 30$  ppm/°C without voltage;  $0 \pm 30$  ppm/°C with rated voltage from -55°C to +125°C

BX =  $\pm 15\%$  without voltage; +15 -25% with rated voltage from -55°C to +125°C

**Capacitance:** Two digit figures followed by multiplier (number of zeros to be added) e.g., 101 = 100 pF

**Rated Voltage:** A = 50V, B = 100V

**Capacitance Tolerance:** B  $\pm .10$  pF, C  $\pm .25$  pF, D  $\pm .5$  pF, F  $\pm 1\%$ , J  $\pm 5\%$ , K  $\pm 10\%$ , M  $\pm 20\%$

#### Termination Finish:

M = Palladium Silver  
N = Silver Nickel Gold  
S = Solder-coated  
Y = 100% Tin

U = Base Metallization/Barrier Metal/Solder Coated\*  
W = Base Metallization/Barrier Metal/Tinned (Tin or Tin/Lead Alloy)

\*Solder shall have a melting point of 200°C or less.

**Failure Rate Level:** M = 1.0%, P = .1%, R = .01%, S = .001%

**Packaging:** Bulk is standard packaging. Tape and reel per RS481 is available upon request.

## CROSS REFERENCE: AVX/MIL-PRF-55681/CDR31 THRU CDR35

Per MIL-PRF-55681 (Metric Sizes)	AVX Style	Length (L) (mm)	Width (W) (mm)	Thickness (T)	D	Termination Band (t)	
				Max. (mm)		Min. (mm)	Max. (mm)
CDR31	0805	2.00	1.25	1.3	.50	.70	.30
CDR32	1206	3.20	1.60	1.3	—	.70	.30
CDR33	1210	3.20	2.50	1.5	—	.70	.30
CDR34	1812	4.50	3.20	1.5	—	.70	.30
CDR35	1825	4.50	6.40	1.5	—	.70	.30



### CDR31 to MIL-PRF-55681/7

Military Type Designation <sup>1/</sup>	Capacitance in pF	Capacitance tolerance	Rated temperature and voltage-temperature limits	WVDC
<b>AVX Style 0805/CDR31 (BP)</b>				
CDR31BP1R0B---	1.0	B,C	BP	100
CDR31BP1R1B---	1.1	B,C	BP	100
CDR31BP1R2B---	1.2	B,C	BP	100
CDR31BP1R3B---	1.3	B,C	BP	100
CDR31BP1R5B---	1.5	B,C	BP	100
CDR31BP1R6B---	1.6	B,C	BP	100
CDR31BP1R8B---	1.8	B,C	BP	100
CDR31BP2R0B---	2.0	B,C	BP	100
CDR31BP2R2B---	2.2	B,C	BP	100
CDR31BP2R4B---	2.4	B,C	BP	100
CDR31BP2R7B---	2.7	B,C,D	BP	100
CDR31BP3R0B---	3.0	B,C,D	BP	100
CDR31BP3R3B---	3.3	B,C,D	BP	100
CDR31BP3R6B---	3.6	B,C,D	BP	100
CDR31BP3R9B---	3.9	B,C,D	BP	100
CDR31BP4R3B---	4.3	B,C,D	BP	100
CDR31BP4R7B---	4.7	B,C,D	BP	100
CDR31BP5R1B---	5.1	B,C,D	BP	100
CDR31BP5R6B---	5.6	B,C,D	BP	100
CDR31BP6R2B---	6.2	B,C,D	BP	100
CDR31BP6R8B---	6.8	B,C,D	BP	100
CDR31BP7R5B---	7.5	B,C,D	BP	100
CDR31BP8R2B---	8.2	B,C,D	BP	100
CDR31BP9R1B---	9.1	B,C,D	BP	100
CDR31BP100B---	10	F,J,K	BP	100
CDR31BP110B---	11	F,J,K	BP	100
CDR31BP120B---	12	F,J,K	BP	100
CDR31BP130B---	13	F,J,K	BP	100
CDR31BP150B---	15	F,J,K	BP	100
CDR31BP160B---	16	F,J,K	BP	100
CDR31BP180B---	18	F,J,K	BP	100
CDR31BP200B---	20	F,J,K	BP	100
CDR31BP220B---	22	F,J,K	BP	100
CDR31BP240B---	24	F,J,K	BP	100
CDR31BP270B---	27	F,J,K	BP	100
CDR31BP300B---	30	F,J,K	BP	100
CDR31BP330B---	33	F,J,K	BP	100
CDR31BP360B---	36	F,J,K	BP	100
CDR31BP390B---	39	F,J,K	BP	100
CDR31BP430B---	43	F,J,K	BP	100
CDR31BP470B---	47	F,J,K	BP	100
CDR31BP510B---	51	F,J,K	BP	100
CDR31BP560B---	56	F,J,K	BP	100
CDR31BP620B---	62	F,J,K	BP	100
CDR31BP680B---	68	F,J,K	BP	100
CDR31BP750B---	75	F,J,K	BP	100
CDR31BP820B---	82	F,J,K	BP	100
CDR31BP910B---	91	F,J,K	BP	100

— Add appropriate failure rate  
 — Add appropriate termination finish  
 — Capacitance Tolerance

Military Type Designation <sup>1/</sup>	Capacitance in pF	Capacitance tolerance	Rated temperature and voltage-temperature limits	WVDC
<b>AVX Style 0805/CDR31 (BP) cont'd</b>				
CDR31BP101B---	100	F,J,K	BP	100
CDR31BP111B---	110	F,J,K	BP	100
CDR31BP121B---	120	F,J,K	BP	100
CDR31BP131B---	130	F,J,K	BP	100
CDR31BP151B---	150	F,J,K	BP	100
CDR31BP161B---	160	F,J,K	BP	100
CDR31BP181B---	180	F,J,K	BP	100
CDR31BP201B---	200	F,J,K	BP	100
CDR31BP221B---	220	F,J,K	BP	100
CDR31BP241B---	240	F,J,K	BP	100
CDR31BP271B---	270	F,J,K	BP	100
CDR31BP301B---	300	F,J,K	BP	100
CDR31BP331B---	330	F,J,K	BP	100
CDR31BP361B---	360	F,J,K	BP	100
CDR31BP391B---	390	F,J,K	BP	100
CDR31BP431B---	430	F,J,K	BP	100
CDR31BP471B---	470	F,J,K	BP	100
CDR31BP511A---	510	F,J,K	BP	50
CDR31BP561A---	560	F,J,K	BP	50
CDR31BP621A---	620	F,J,K	BP	50
CDR31BP681A---	680	F,J,K	BP	50
<b>AVX Style 0805/CDR31 (BX)</b>				
CDR31BX471B---	470	K,M	BX	100
CDR31BX561B---	560	K,M	BX	100
CDR31BX681B---	680	K,M	BX	100
CDR31BX821B---	820	K,M	BX	100
CDR31BX102B---	1,000	K,M	BX	100
CDR31BX122B---	1,200	K,M	BX	100
CDR31BX152B---	1,500	K,M	BX	100
CDR31BX182B---	1,800	K,M	BX	100
CDR31BX222B---	2,200	K,M	BX	100
CDR31BX272B---	2,700	K,M	BX	100
CDR31BX332B---	3,300	K,M	BX	100
CDR31BX392B---	3,900	K,M	BX	100
CDR31BX472B---	4,700	K,M	BX	100
CDR31BX562A---	5,600	K,M	BX	50
CDR31BX682A---	6,800	K,M	BX	50
CDR31BX822A---	8,200	K,M	BX	50
CDR31BX103A---	10,000	K,M	BX	50
CDR31BX123A---	12,000	K,M	BX	50
CDR31BX153A---	15,000	K,M	BX	50
CDR31BX183A---	18,000	K,M	BX	50

— Add appropriate failure rate  
 — Add appropriate termination finish  
 — Capacitance Tolerance

<sup>1/</sup> The complete part number will include additional symbols to indicate capacitance tolerance, termination and failure rate level.

# MIL-PRF-55681/Chips



## Military Part Number Identification CDR32

### CDR32 to MIL-PRF-55681/8

Military Type Designation <sup>1/</sup>	Capacitance in pF	Capacitance tolerance	Rated temperature and voltage-temperature limits	WVDC	Military Type Designation <sup>1/</sup>	Capacitance in pF	Capacitance tolerance	Rated temperature and voltage-temperature limits	WVDC
<b>AVX Style 1206/CDR32 (BP)</b>					<b>AVX Style 1206/CDR32 (BP) cont'd</b>				
CDR32BP1R0B---	1.0	B,C	BP	100	CDR32BP101B---	100	F,J,K	BP	100
CDR32BP1R1B---	1.1	B,C	BP	100	CDR32BP111B---	110	F,J,K	BP	100
CDR32BP1R2B---	1.2	B,C	BP	100	CDR32BP121B---	120	F,J,K	BP	100
CDR32BP1R3B---	1.3	B,C	BP	100	CDR32BP131B---	130	F,J,K	BP	100
CDR32BP1R5B---	1.5	B,C	BP	100	CDR32BP151B---	150	F,J,K	BP	100
CDR32BP1R6B---	1.6	B,C	BP	100	CDR32BP161B---	160	F,J,K	BP	100
CDR32BP1R8B---	1.8	B,C	BP	100	CDR32BP181B---	180	F,J,K	BP	100
CDR32BP2R0B---	2.0	B,C	BP	100	CDR32BP201B---	200	F,J,K	BP	100
CDR32BP2R2B---	2.2	B,C	BP	100	CDR32BP221B---	220	F,J,K	BP	100
CDR32BP2R4B---	2.4	B,C	BP	100	CDR32BP241B---	240	F,J,K	BP	100
CDR32BP2R7B---	2.7	B,C,D	BP	100	CDR32BP271B---	270	F,J,K	BP	100
CDR32BP3R0B---	3.0	B,C,D	BP	100	CDR32BP301B---	300	F,J,K	BP	100
CDR32BP3R3B---	3.3	B,C,D	BP	100	CDR32BP331B---	330	F,J,K	BP	100
CDR32BP3R6B---	3.6	B,C,D	BP	100	CDR32BP361B---	360	F,J,K	BP	100
CDR32BP3R9B---	3.9	B,C,D	BP	100	CDR32BP391B---	390	F,J,K	BP	100
CDR32BP4R3B---	4.3	B,C,D	BP	100	CDR32BP431B---	430	F,J,K	BP	100
CDR32BP4R7B---	4.7	B,C,D	BP	100	CDR32BP471B---	470	F,J,K	BP	100
CDR32BP5R1B---	5.1	B,C,D	BP	100	CDR32BP511B---	510	F,J,K	BP	100
CDR32BP5R6B---	5.6	B,C,D	BP	100	CDR32BP561B---	560	F,J,K	BP	100
CDR32BP6R2B---	6.2	B,C,D	BP	100	CDR32BP621B---	620	F,J,K	BP	100
CDR32BP6R8B---	6.8	B,C,D	BP	100	CDR32BP681B---	680	F,J,K	BP	100
CDR32BP7R5B---	7.5	B,C,D	BP	100	CDR32BP751B---	750	F,J,K	BP	100
CDR32BP8R2B---	8.2	B,C,D	BP	100	CDR32BP821B---	820	F,J,K	BP	100
CDR32BP9R1B---	9.1	B,C,D	BP	100	CDR32BP911B---	910	F,J,K	BP	100
CDR32BP100B---	10	F,J,K	BP	100	CDR32BP102B---	1,000	F,J,K	BP	100
CDR32BP110B---	11	F,J,K	BP	100	CDR32BP112A---	1,100	F,J,K	BP	50
CDR32BP120B---	12	F,J,K	BP	100	CDR32BP122A---	1,200	F,J,K	BP	50
CDR32BP130B---	13	F,J,K	BP	100	CDR32BP132A---	1,300	F,J,K	BP	50
CDR32BP150B---	15	F,J,K	BP	100	CDR32BP152A---	1,500	F,J,K	BP	50
CDR32BP160B---	16	F,J,K	BP	100	CDR32BP162A---	1,600	F,J,K	BP	50
CDR32BP180B---	18	F,J,K	BP	100	CDR32BP182A---	1,800	F,J,K	BP	50
CDR32BP200B---	20	F,J,K	BP	100	CDR32BP202A---	2,000	F,J,K	BP	50
CDR32BP220B---	22	F,J,K	BP	100	CDR32BP222A---	2,200	F,J,K	BP	50
CDR32BP240B---	24	F,J,K	BP	100	<b>AVX Style 1206/CDR32 (BX)</b>				
CDR32BP270B---	27	F,J,K	BP	100	CDR32BX472B---	4,700	K,M	BX	100
CDR32BP300B---	30	F,J,K	BP	100	CDR32BX562B---	5,600	K,M	BX	100
CDR32BP330B---	33	F,J,K	BP	100	CDR32BX682B---	6,800	K,M	BX	100
CDR32BP360B---	36	F,J,K	BP	100	CDR32BX822B---	8,200	K,M	BX	100
CDR32BP390B---	39	F,J,K	BP	100	CDR32BX103B---	10,000	K,M	BX	100
CDR32BP430B---	43	F,J,K	BP	100	CDR32BX123B---	12,000	K,M	BX	100
CDR32BP470B---	47	F,J,K	BP	100	CDR32BX153B---	15,000	K,M	BX	100
CDR32BP510B---	51	F,J,K	BP	100	CDR32BX183A---	18,000	K,M	BX	50
CDR32BP560B---	56	F,J,K	BP	100	CDR32BX223A---	22,000	K,M	BX	50
CDR32BP620B---	62	F,J,K	BP	100	CDR32BX273A---	27,000	K,M	BX	50
CDR32BP680B---	68	F,J,K	BP	100	CDR32BX333A---	33,000	K,M	BX	50
CDR32BP750B---	75	F,J,K	BP	100	CDR32BX393A---	39,000	K,M	BX	50
CDR32BP820B---	82	F,J,K	BP	100					
CDR32BP910B---	91	F,J,K	BP	100					

— Add appropriate failure rate  
 — Add appropriate termination finish  
 — Capacitance Tolerance

— Add appropriate failure rate  
 — Add appropriate termination finish  
 — Capacitance Tolerance

<sup>1/</sup> The complete part number will include additional symbols to indicate capacitance tolerance, termination and failure rate level.

### CDR33/34/35 to MIL-PRF-55681/9/10/11

Military Type Designation <sup>1/</sup>	Capacitance in pF	Capacitance tolerance	Rated temperature and voltage-temperature limits	WVDC
<b>AVX Style 1210/CDR33 (BP)</b>				
CDR33BP102B---	1,000	F,J,K	BP	100
CDR33BP112B---	1,100	F,J,K	BP	100
CDR33BP122B---	1,200	F,J,K	BP	100
CDR33BP132B---	1,300	F,J,K	BP	100
CDR33BP152B---	1,500	F,J,K	BP	100
CDR33BP162B---	1,600	F,J,K	BP	100
CDR33BP182B---	1,800	F,J,K	BP	100
CDR33BP202B---	2,000	F,J,K	BP	100
CDR33BP222B---	2,200	F,J,K	BP	100
CDR33BP242A---	2,400	F,J,K	BP	50
CDR33BP272A---	2,700	F,J,K	BP	50
CDR33BP302A---	3,000	F,J,K	BP	50
CDR33BP332A---	3,300	F,J,K	BP	50
<b>AVX Style 1210/CDR33 (BX)</b>				
CDR33BX153B---	15,000	K,M	BX	100
CDR33BX183B---	18,000	K,M	BX	100
CDR33BX223B---	22,000	K,M	BX	100
CDR33BX273B---	27,000	K,M	BX	100
CDR33BX393A---	39,000	K,M	BX	50
CDR33BX473A---	47,000	K,M	BX	50
CDR33BX563A---	56,000	K,M	BX	50
CDR33BX683A---	68,000	K,M	BX	50
CDR33BX823A---	82,000	K,M	BX	50
CDR33BX104A---	100,000	K,M	BX	50
<b>AVX Style 1812/CDR34 (BP)</b>				
CDR34BP222B---	2,200	F,J,K	BP	100
CDR34BP242B---	2,400	F,J,K	BP	100
CDR34BP272B---	2,700	F,J,K	BP	100
CDR34BP302B---	3,000	F,J,K	BP	100
CDR34BP332B---	3,300	F,J,K	BP	100
CDR34BP362B---	3,600	F,J,K	BP	100
CDR34BP392B---	3,900	F,J,K	BP	100
CDR34BP432B---	4,300	F,J,K	BP	100
CDR34BP472B---	4,700	F,J,K	BP	100
CDR34BP512A---	5,100	F,J,K	BP	50
CDR34BP562A---	5,600	F,J,K	BP	50
CDR34BP622A---	6,200	F,J,K	BP	50
CDR34BP682A---	6,800	F,J,K	BP	50
CDR34BP752A---	7,500	F,J,K	BP	50
CDR34BP822A---	8,200	F,J,K	BP	50
CDR34BP912A---	9,100	F,J,K	BP	50
CDR34BP103A---	10,000	F,J,K	BP	50

- Add appropriate failure rate
- Add appropriate termination finish
- Capacitance Tolerance

Military Type Designation <sup>1/</sup>	Capacitance in pF	Capacitance tolerance	Rated temperature and voltage-temperature limits	WVDC
<b>AVX Style 1812/CDR34 (BX)</b>				
CDR34BX273B---	27,000	K,M	BX	100
CDR34BX333B---	33,000	K,M	BX	100
CDR34BX393B---	39,000	K,M	BX	100
CDR34BX473B---	47,000	K,M	BX	100
CDR34BX563B---	56,000	K,M	BX	100
CDR34BX104A---	100,000	K,M	BX	50
CDR34BX124A---	120,000	K,M	BX	50
CDR34BX154A---	150,000	K,M	BX	50
CDR34BX184A---	180,000	K,M	BX	50
<b>AVX Style 1825/CDR35 (BP)</b>				
CDR35BP472B---	4,700	F,J,K	BP	100
CDR35BP512B---	5,100	F,J,K	BP	100
CDR35BP562B---	5,600	F,J,K	BP	100
CDR35BP622B---	6,200	F,J,K	BP	100
CDR35BP682B---	6,800	F,J,K	BP	100
CDR35BP752B---	7,500	F,J,K	BP	100
CDR35BP822B---	8,200	F,J,K	BP	100
CDR35BP912B---	9,100	F,J,K	BP	100
CDR35BP103B---	10,000	F,J,K	BP	100
CDR35BP113A---	11,000	F,J,K	BP	50
CDR35BP123A---	12,000	F,J,K	BP	50
CDR35BP133A---	13,000	F,J,K	BP	50
CDR35BP153A---	15,000	F,J,K	BP	50
CDR35BP163A---	16,000	F,J,K	BP	50
CDR35BP183A---	18,000	F,J,K	BP	50
CDR35BP203A---	20,000	F,J,K	BP	50
CDR35BP223A---	22,000	F,J,K	BP	50
<b>AVX Style 1825/CDR35 (BX)</b>				
CDR35BX563B---	56,000	K,M	BX	100
CDR35BX683B---	68,000	K,M	BX	100
CDR35BX823B---	82,000	K,M	BX	100
CDR35BX104B---	100,000	K,M	BX	100
CDR35BX124B---	120,000	K,M	BX	100
CDR35BX154B---	150,000	K,M	BX	100
CDR35BX184A---	180,000	K,M	BX	50
CDR35BX224A---	220,000	K,M	BX	50
CDR35BX274A---	270,000	K,M	BX	50
CDR35BX334A---	330,000	K,M	BX	50
CDR35BX394A---	390,000	K,M	BX	50
CDR35BX474A---	470,000	K,M	BX	50

- Add appropriate failure rate
- Add appropriate termination finish
- Capacitance Tolerance

<sup>1/</sup> The complete part number will include additional symbols to indicate capacitance tolerance, termination and failure rate level.