

4

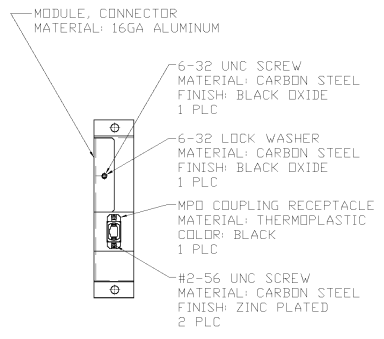
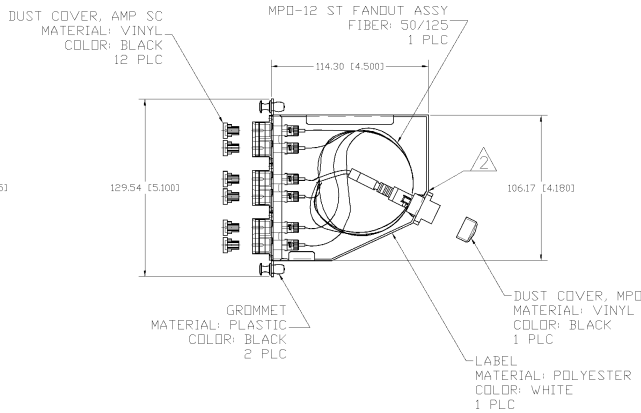
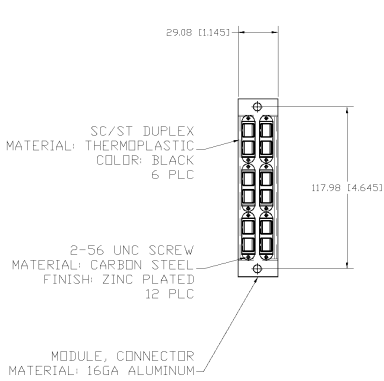
3

2

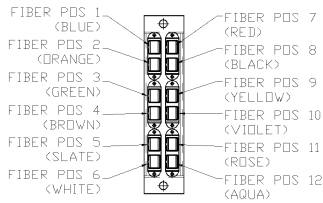
1

THIS DRAWING IS UNPUBLISHED. RELEASED FOR PUBLICATION
 © 2019 AMP BY TYCO ELECTRONICS CORPORATION. ALL RIGHTS RESERVED.

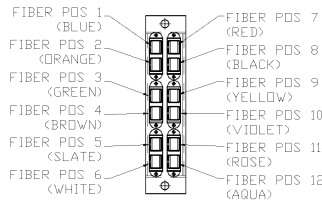
LOC	REV	DESCRIPTION	DATE	BY	APP
CE	16				
	0	PER NPR 01-6104		06NOV01	WS JH



COVER NOT SHOWN IN THIS VIEW



LEFT
 KEY SLOTS TO THE LEFT ⚠
 1435181-1



RIGHT
 KEY SLOTS TO THE RIGHT ⚠
 1435181-2

NOTES

- ⚠ KEY SLOTS TO THE LEFT ON DASH NUMBER 1
 KEY SLOTS TO THE RIGHT ON DASH NUMBER 2
 FROM FRONT VIEW
- ⚠ WHITE MARKING ON MPO TO BE FACING TOWARD TOP
 OF CONNECTOR MODULE

SC DUPLEX TO MPO CROSSED	BLACK	1435181-2
SC DUPLEX TO MPO STRAIGHT	BLACK	1435181-1
DESCRIPTION	FINISH	PART NUMBER

THIS DRAWING IS A CONTROLLED DOCUMENT		BY: WJ_SOURBEER 06NOV01	Tyco Electronics Corporation Harrisburg, Pa	
DRAWN: J_HOFFER 06NOV01		AMP		
CHECKED: J_LEBERLE 06NOV01		CONNECTOR MODULE ASSY		
PRODUCT SPEC: -		MPO TO SC MULTIMODE 50/125um		
APPLICATION SPEC: -		SIZE: A2	CASE CODE: 00779	DRAWING NO: 1435181
MATERIAL: -		REGRD: -	CUSTOMER DRAWING	RESTRICTED TO: -
DIMENSIONS: INCHES		SCALE: NTS SHEET 1 OF 1 REV: 0		

AMP 1471-9 REV 31MAR2000

AMP39717 C:\ENGGapps\TECworker\jobs\ysrv038a\16106\1435181_1_c.dwg

1435181

A

06NOV01