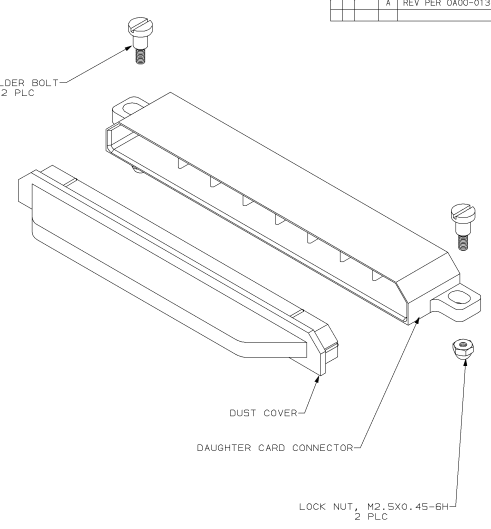
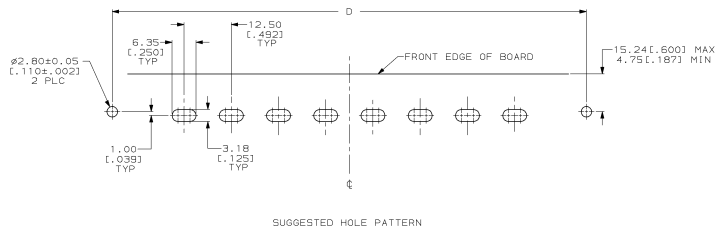
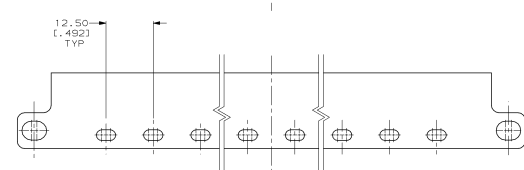
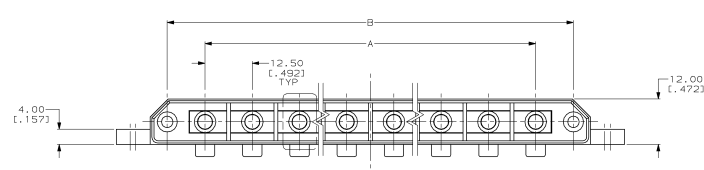
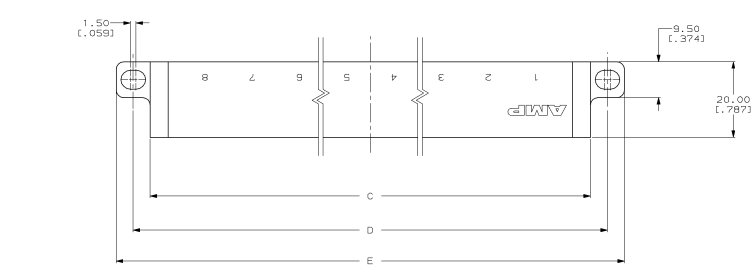


MAKING MADE IN THIRD ANGLE PROJECTION
 THIS DRAWING IS UNPUBLISHED.
 © COPYRIGHT 19 BY AMP INCORPORATED. ALL INTERNATIONAL RIGHTS RESERVED.

REVOLUTIONS		DATE	APP
0	REL PER NPR 95-41	2-3-95	RH/GC
A	REV PER 0A00-0134-95	3-29-95	RH/LE



1. DIMENSIONS IN [] ARE IN INCHES
 MATERIAL: HOUSING, THERMOPLASTIC
 DUST COVER, THERMOPLASTIC RUBBER
 MOUNTING HARDWARE, STAINLESS STEEL

47.00 [1.850]	38.00 [1.496]	29.00 [1.142]	20.00 [.787]	N/A	1	503185-4
59.50 [2.343]	50.50 [1.988]	41.50 [1.634]	32.50 [1.280]	12.50 [.492]	2	503185-3
64.50 [2.537]	75.50 [2.972]	66.50 [2.618]	57.50 [2.264]	37.50 [1.476]	4	503185-2
134.50 [5.295]	125.50 [4.941]	116.50 [4.587]	107.50 [4.232]	87.50 [3.445]	8	503185-1
E ±.12 [.005]	D ±.12 [.005]	C ±.12 [.005]	B ±.12 [.005]	A ±.12 [.005]	NO. OF POS.	PART NO.

DR 2-3-95 R. HILMAN	NAME	DAUGHTER CARD KIT, OPTICAL LIGHTPLANE CONNECTOR
CHK 2-3-95 S. O'BRIEN	APPD 2-3-95 F. MENSCHEIN	SIZE
2 PLC DEC # 121.000 3 PLC DEC # .	PRODUCT SPEC	CAGE CODE
MATERIAL	APPLICATION SPEC	DRAWING NO.
FINISH	WEIGHT	00779
		SCALE
		2:1

METRIC

DO NOT SCALE PRINT.
 UNLESS SPECIFIED,
 DIMENSIONS IN mm (INCHES)
 TOLERANCES ON:
 2 PLC DEC # 121.000
 3 PLC DEC # .
 MILLIMETERS

THIS DRAWING IS A CONTROLLED DOCUMENT FOR AMP INCORPORATED. IT IS SUBJECT TO CHANGE AND THE CONTROLLING AND HISTORY INFORMATION SHOULD BE CONTACTED FOR THE LATEST REVISION.