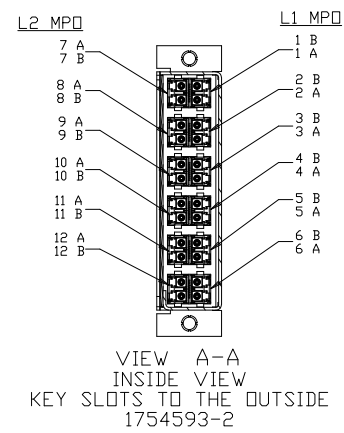
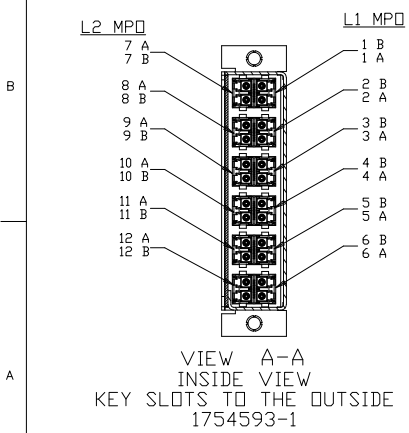
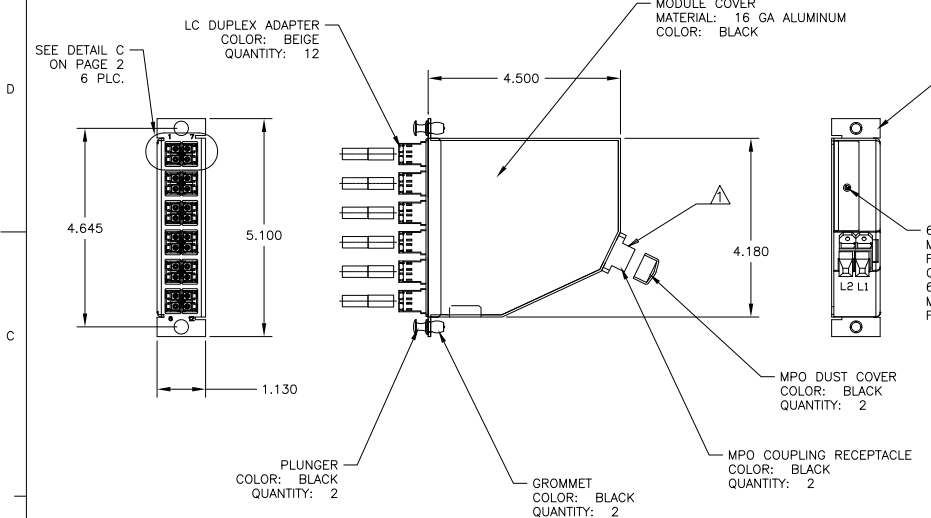


THIS DRAWING IS UNPUBLISHED. RELEASED FOR PUBLICATION
 © copyright BY TYCO ELECTRONICS CORPORATION. ALL RIGHTS RESERVED.

LOC	DIST	REVISIONS			
TR	LNK	DESCRIPTION	DATE	BY	APPD
CE	16	A1	MINOR REVISION	19JUL07	DLF/DFL



NOTES:

△ WHITE MARK ON MPO TO BE FACING TOWARD TOP OF CONNECTOR MODULE. WHITE MARK ON ADAPTER INDICATES MPO FIBER 1 SIDE.

2. MAXIMUM CABLE ASSEMBLY LOSS: 1.50dB. A COPY OF TEST DATA WILL BE PLACED INSIDE THE UNIT PACKAGE.

50/125, XG, CROSSED	BLACK	1754593-2
50/125, XG, STRAIGHT	BLACK	1754593-1
DESCRIPTION	PUSH/PULL PIN COLOR	PART NUMBER

THIS DRAWING IS A CONTROLLED DOCUMENT.		DR	31JUN05	AMP	Tyco Electronics Corporation	
DIMENSIONS: INCHES		DL FENNEL	31JUN05		Harrisburg Pa, 17105-3608	
TO DIMENSIONS UNLESS OTHERWISE SPECIFIED:		APD	31JUN05	CONNECTOR MODULE ASSY, 24 FIBER		
0 PLC		DL FENNEL	31JUN05	50/125um, XG, LIGHTRAY MPO TO LC		
1 PLC		DL FENNEL	31JUN05	SIZE		
2 PLC		DL FENNEL	31JUN05	CASE CODE		
3 PLC		DL FENNEL	31JUN05	DRAWING NO		
4 PLC		DL FENNEL	31JUN05	RESTRICTED TO		
ANGLES		DL FENNEL	31JUN05	A2 00779 ©-1754593		
FINISH		DL FENNEL	31JUN05	CUSTOMER DRAWING		
		DL FENNEL	31JUN05	SCALE NTS SHEET 1 OF 2 REV A1		

THIS DRAWING IS UNPUBLISHED. RELEASED FOR PUBLICATION
 © COPYRIGHT BY TYCO ELECTRONICS CORPORATION. ALL RIGHTS RESERVED.

LOC		DIST		REVISIONS			
P	LINK	DESCRIPTION	DATE	BY	APP'D		
CE	16	SEE SHEET 1	-	-	-	-	-

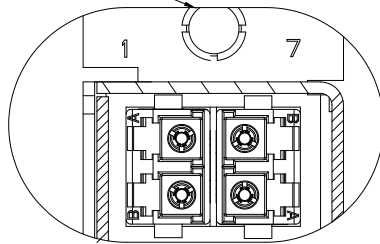
FIBER PATH FOR PART NUMBER
1754593-1 (STRAIGHT)

MPO L1 PORT POSITION NO	MPO L2 PORT POSITION NO	LC PORT POSITION NO
1	-	1B
2	-	1A
3	-	2B
4	-	2A
5	-	3B
6	-	3A
7	-	4B
8	-	4A
9	-	5B
10	-	5A
11	-	6B
12	-	6A
-	1	7B
-	2	7A
-	3	8B
-	4	8A
-	5	9B
-	6	9A
-	7	10B
-	8	10A
-	9	11B
-	10	11A
-	11	12B
-	12	12A

FIBER PATH FOR PART NUMBER
1754593-2 (PAIRS FLIPPED)

MPO L1 PORT POSITION NO	MPO L2 PORT POSITION NO	LC PORT POSITION NO
1	-	1A
2	-	1B
3	-	2A
4	-	2B
5	-	3A
6	-	3B
7	-	4A
8	-	4B
9	-	5A
10	-	5B
11	-	6A
12	-	6B
-	1	7A
-	2	7B
-	3	8A
-	4	8B
-	5	9A
-	6	9B
-	7	10A
-	8	10B
-	9	11A
-	10	11B
-	11	12A
-	12	12B

LC PORT POSITION NUMBER



THIS DRAWING IS A CONTROLLED DOCUMENT.		DR D. FENNEL	31JAN05	AMP Tyco Electronics Corporation Harrisburg Pa, 17105-3608
DIMENSIONS: INCHES		DR D. FENNEL	31JAN05	
TOLERANCES UNLESS OTHERWISE SPECIFIED:		MFG D. FENNEL	31JAN05	NAME
Ø	± .005	PRODUCT SPEC		CONNECTOR MODULE ASSY, 24 FIBER
1	± .005	APPLICATION SPEC		50/125um, XG, LIGHTRAY MPO TO LC
2	± .005	MATERIAL		SIZE
3	± .005	FINISH		00779
4	± .005	WEIGHT		DRAWING NO
Ø	± .005	CUSTOMER DRAWING		1754593
Ø	± .005	SCALE		RESTRICTED TO
Ø	± .005	SHEET		2 OF 2
Ø	± .005	REV		A1