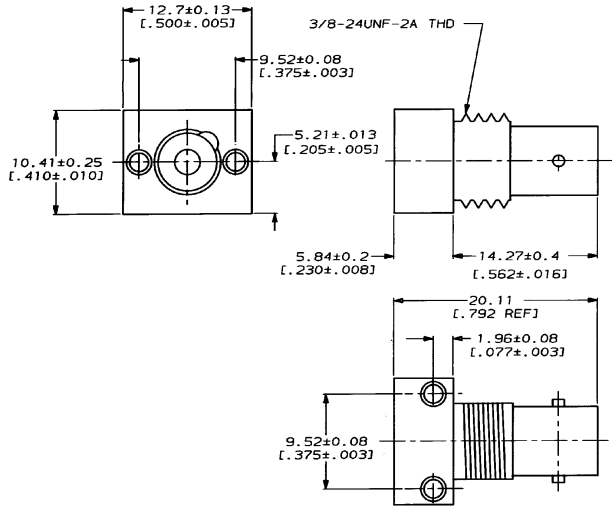
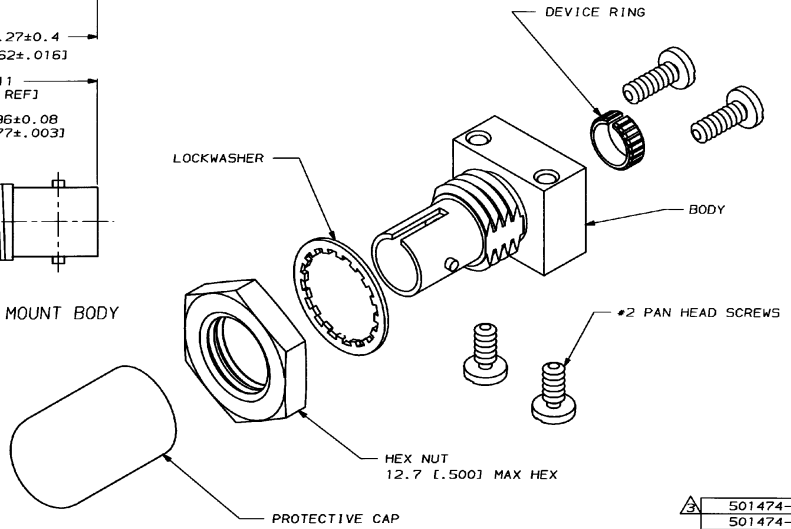


DRAWING MADE IN THIRD ANGLE PROJECTION
 THIS DRAWING IS UNPUBLISHED. RELEASED FOR PUBLICATION
 © COPYRIGHT 19 BY AMP INCORPORATED. ALL INTERNATIONAL RIGHTS RESERVED.

LOC	QTY	ZONE	LTR	DESCRIPTION	DATE	APPD
CE	16		A	REDRAWN PER CE-1231	5-5-88	CE/AP
			B	ADDED -2 PER NPR 89-133	7-25-89	RH/MP
			C	REV PER CE-1907	2-28-90	RH/MP



ACTIVE DEVICE MOUNT BODY



1. DIMENSIONS IN [] ARE IN INCHES.
 2. ACCEPTS ACTIVE DEVICES, TO-52, TO-18, TO-46, OR LOW COST HONEYWELL SWEETSPOT.
- ▲ BULK PACKAGED.

▲	501474-2
	501474-1
	PART NUMBER

DO NOT SCALE PRINT. UNLESS SPECIFIED DIMENSIONS IN mm TOLERANCES: 0.1, 0.2, 0.3, 0.4, 0.5, 0.6, 0.8, 1.0, 1.5, 2.0, 3.0, 4.0, 6.0, 8.0, 10.0, 15.0, 20.0, 30.0, 40.0, 50.0, 60.0, 80.0, 100.0, 150.0, 200.0, 300.0, 400.0, 500.0, 600.0, 800.0, 1000.0	DR C. EISENHOUR 5-5-88	AMP AMP INCORPORATED Murrysburg, Pa. 17105	
	CHK J. ZEIDERS 5-6-88	NAME ACTIVE DEVICE MOUNT KIT, 2.5mm BAYONET, OPTIMATE	
	APPD A. PLOTTIS 5-6-88	DRAWING NO 501474	
MATERIAL ADM BODY: ZINC	APPD K. MONROE 5-6-88	SIZE C	FSCM NO 00779
FINISH ADM BODY: NICKEL	APPLICATION SPEC	SCALE 4:1	SHEET 1 OF 1
WEIGHT	PRODUCT SPEC		

METRIC

CUSTOMER DRAWING

501474

A