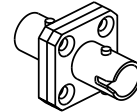


Tous droits strictement reserves. Reproduction ou communication a des tiers interdicte sous quelque forme que ce soit sans autorisation ecrite du proprietaire. Propriete de c FCI. Droits de reproduction FCI.

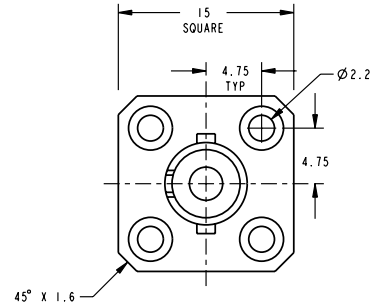
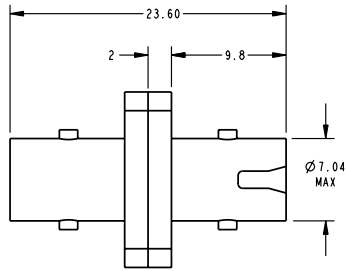
All rights strictly reserved. Reproduction or issue to third parties in any form whatever is not permitted without written authority from the proprietor. Property of FCI. Copyright FCI.



FCI P/N	SLEEVE MATERIAL
60007-001	ZR



SCALE 1:1



- NOTES:
 1. MATERIAL: HOUSING - ZINC DIE CAST
 2. ADAPTER MUST COMPLY WITH TIA/EIA 604-2

mat'l code				SEE NOTES		tolerances unless otherwise specified		CUSTOMER		ELECTRONICS www.fciconnect.com	
ltr	ecm no.	dr	date	linear	0.X ±0.3	projection	COPY		title		
A	V10717	JJK	10/10/01	0.XX ±0.10	0.XXX ±0.050				ADP, ST-ST, SQR FLNG, DIECAST HSG		
				angles	0° ±2°		scale		product family		code
				dr	J. KILE 10/10/01	2:1		FIBER OPTICS		213	
				enr	G. WARNER 10/10/01			size		sheet	
				chr	G. WARNER 10/10/01			A		1 of 1	
				appd	G. WARNER 10/10/01			60007			
sheet index	revision sheet	A	I					cage code		4	
								22526			

Pro/E

PDM: Rev:A

STATUS: Released

Printed: Apr 08, 2008