

HOW TO ORDER

Military Type Designation: Styles CKR04, CKR05, CKR06, CKR08

Dash Number Option: MIL-PRF-39014/01 (Appropriate Dash Number)

CKR05

Style

CK = General purpose, ceramic dielectric, fixed capacitors
 R = Established Reliability Parts
 05 = Remaining two numbers identify shape and dimension

BX

Voltage-Temperature Limits

First letter identifies temperature range.
 B = -55°C to +125°C
 Second letter identifies voltage-temperature coefficient.

| Capacitance Change with Reference to 25°C | | |
|---|------------|---------------|
| Second Letter | No Voltage | Rated Voltage |
| X | +15, -15% | +15, -25% |

104

Capacitance

First two digits are the significant figures of capacitance. Third digit indicates the additional number of zeros. For example, order 100,000 pF as 104. (For values below 10pF use "R" in place of decimal point, e.g., 1R4 = 1.4pF)

K

Capacitance Tolerance

K = ±10%
 M = ±20%

S

Military Failure Rate

M = 1% per 1000 hours
 P = 0.1% per 1000 hours
 R = 0.01% per 1000 hours
 S = 0.001% per 1000 hours

Note:

AVX reserves the right to substitute a lower failure rate part per MIL-PRF-39014. Substitutability for failure rate levels shall be as follows:

| Failure Rate Level | Will Replace Failure Rate Level |
|--------------------|---------------------------------|
| S (STD) (X-ray) | R, P, M, L |
| R (STD) (No X-ray) | P, M, L |
| P | M, L |
| M | L |

(V)

Standoff Option

To order standoff option, place "V" at the end of the part number.
 Example: CKR05BX104KSV

PACKAGING REQUIREMENTS

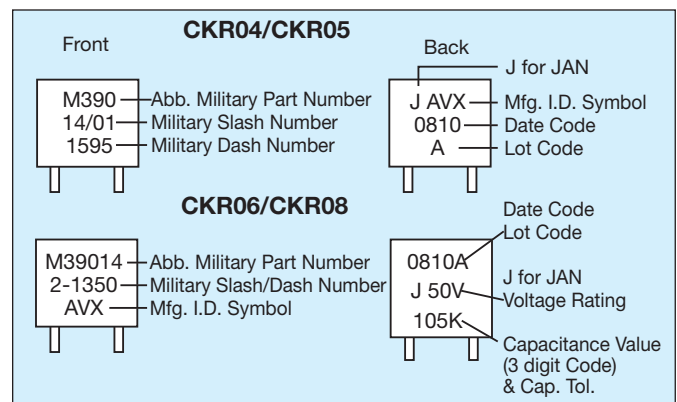
Packaging: 100 Pcs/bag; Radial Tape and Reel Packaging available upon request (2500 pcs./reel).

SIZE SPECIFICATIONS

Dimensions: Millimeters (Inches)

| Per Mil Spec | Case Size | | | | |
|-------------------|-------------------------|-------------------------|-------------------------|-------------------------|------------------------|
| | Length (L) | Width (W) | Thickness (T) | Lead Spacing (L.S.) | Lead Diameter (L.D.) |
| MIL-PRF-39014 | | | | | |
| CKR04 (Fig. 2) | 4.83±.25 (.190±.010) | 4.83±.25 (.190±.010) | 2.29±.25 (.090±.010) | 2.54±.38 (.100±.015) | .64±.05 (.025±.002) |
| CKR05 (Fig. 1, 4) | 4.83±.25 (.190±.010) | 4.83±.25 (.190±.010) | 2.29±.25 (.090±.010) | 5.08±.38 (.200±.015) | .64±.05 (.025±.002) |
| CKR06 (Fig. 2, 3) | 7.37±.25 (.290±.010) | 7.37±.25 (.290±.010) | 2.29±.25 (.090±.010) | 5.08±.38 (.200±.015) | .64±.05 (.025±.002) |
| CKR08 (Fig. 2) | 7.37±.25 (.290±.010) | 7.37±.25 (.290±.010) | 3.68±.38 (.145±.015) | 5.08±.38 (.200±.015) | .64±.05 (.025±.002) |

MARKING RADIAL LEAD



MILITARY DASH NUMBER IDENTIFICATION CKR04 TO MIL-PRF-39014/23

(Dash Number From Table)

| Military Type Designation | Failure Rate Level (%/1,000 Hours) | | | | Capacitance (pF) | Capacitance Tolerance ±Percent | WVDC |
|---------------------------|------------------------------------|---------|----------|-----------|------------------|--------------------------------|------|
| | 1.0 (M) | 0.1 (P) | 0.01 (R) | 0.001 (S) | | | |
| CKR04 (BX) | | | | | | | |
| CKR04BX100K_ | 0001 | 0101 | 0201 | 0301 | 10 | 10 | 200 |
| CKR04BX100M_ | 0002 | 0102 | 0202 | 0302 | 10 | 20 | 200 |
| CKR04BX120K_ | 0003 | 0103 | 0203 | 0303 | 12 | 10 | 200 |
| CKR04BX150K_ | 0004 | 0104 | 0204 | 0304 | 15 | 10 | 200 |
| CKR04BX150M_ | 0005 | 0105 | 0205 | 0305 | 15 | 20 | 200 |
| CKR04BX180K_ | 0006 | 0106 | 0206 | 0306 | 18 | 10 | 200 |
| CKR04BX220K_ | 0007 | 0107 | 0207 | 0307 | 22 | 10 | 200 |
| CKR04BX220M_ | 0008 | 0108 | 0208 | 0308 | 22 | 20 | 200 |
| CKR04BX270K_ | 0009 | 0109 | 0209 | 0309 | 27 | 10 | 200 |
| CKR04BX330K_ | 0010 | 0110 | 0210 | 0310 | 33 | 10 | 200 |
| CKR04BX330M_ | 0011 | 0111 | 0211 | 0311 | 33 | 20 | 200 |
| CKR04BX390K_ | 0012 | 0112 | 0212 | 0312 | 39 | 10 | 200 |
| CKR04BX470K_ | 0013 | 0113 | 0213 | 0313 | 47 | 10 | 200 |
| CKR04BX470M_ | 0014 | 0114 | 0214 | 0314 | 47 | 20 | 200 |
| CKR04BX560K_ | 0015 | 0115 | 0215 | 0315 | 56 | 10 | 200 |
| CKR04BX680K_ | 0016 | 0116 | 0216 | 0316 | 68 | 10 | 200 |
| CKR04BX680M_ | 0017 | 0117 | 0217 | 0317 | 68 | 20 | 200 |
| CKR04BX820K_ | 0018 | 0118 | 0218 | 0318 | 82 | 10 | 200 |
| CKR04BX101K_ | 0019 | 0119 | 0219 | 0319 | 100 | 10 | 200 |
| CKR04BX101M_ | 0020 | 0120 | 0220 | 0320 | 100 | 20 | 200 |
| CKR04BX121K_ | 0021 | 0121 | 0221 | 0321 | 120 | 10 | 200 |
| CKR04BX151K_ | 0022 | 0122 | 0222 | 0322 | 150 | 10 | 200 |
| CKR04BX151M_ | 0023 | 0123 | 0223 | 0323 | 150 | 20 | 200 |
| CKR04BX181K_ | 0024 | 0124 | 0224 | 0324 | 180 | 10 | 200 |
| CKR04BX221K_ | 0025 | 0125 | 0225 | 0325 | 220 | 10 | 200 |
| CKR04BX221M_ | 0026 | 0126 | 0226 | 0326 | 220 | 20 | 200 |
| CKR04BX271K_ | 0027 | 0127 | 0227 | 0327 | 270 | 10 | 200 |
| CKR04BX331K_ | 0028 | 0128 | 0228 | 0328 | 330 | 10 | 200 |
| CKR04BX331M_ | 0029 | 0129 | 0229 | 0329 | 330 | 20 | 200 |
| CKR04BX391K_ | 0030 | 0130 | 0230 | 0330 | 390 | 10 | 200 |
| CKR04BX471K_ | 0031 | 0131 | 0231 | 0331 | 470 | 10 | 200 |
| CKR04BX471M_ | 0032 | 0132 | 0232 | 0332 | 470 | 20 | 200 |
| CKR04BX561K_ | 0033 | 0133 | 0233 | 0333 | 560 | 10 | 200 |
| CKR04BX681K_ | 0034 | 0134 | 0234 | 0334 | 680 | 10 | 200 |
| CKR04BX681M_ | 0035 | 0135 | 0235 | 0335 | 680 | 20 | 200 |
| CKR04BX821K_ | 0036 | 0136 | 0236 | 0336 | 820 | 10 | 200 |
| CKR04BX102K_ | 0037 | 0137 | 0237 | 0337 | 1,000 | 10 | 200 |
| CKR04BX102M_ | 0038 | 0138 | 0238 | 0338 | 1,000 | 20 | 200 |
| CKR04BX122K_ | 0039 | 0139 | 0239 | 0339 | 1,200 | 10 | 100 |
| CKR04BX152K_ | 0040 | 0140 | 0240 | 0340 | 1,500 | 10 | 100 |
| CKR04BX152M_ | 0041 | 0141 | 0241 | 0341 | 1,500 | 20 | 100 |
| CKR04BX182K_ | 0042 | 0142 | 0242 | 0342 | 1,800 | 10 | 100 |
| CKR04BX222K_ | 0043 | 0143 | 0243 | 0343 | 2,200 | 10 | 100 |
| CKR04BX222M_ | 0044 | 0144 | 0244 | 0344 | 2,200 | 20 | 100 |
| CKR04BX272K_ | 0045 | 0145 | 0245 | 0345 | 2,700 | 10 | 100 |
| CKR04BX332K_ | 0046 | 0146 | 0246 | 0346 | 3,300 | 10 | 100 |
| CKR04BX332M_ | 0047 | 0147 | 0247 | 0347 | 3,300 | 20 | 100 |
| CKR04BX392K_ | 0048 | 0148 | 0248 | 0348 | 3,900 | 10 | 100 |
| CKR04BX472K_ | 0049 | 0149 | 0249 | 0349 | 4,700 | 10 | 100 |
| CKR04BX472M_ | 0050 | 0150 | 0250 | 0350 | 4,700 | 20 | 100 |
| CKR04BX562K_ | 0051 | 0151 | 0251 | 0351 | 5,600 | 10 | 100 |
| CKR04BX682K_ | 0052 | 0152 | 0252 | 0352 | 6,800 | 10 | 100 |
| CKR04BX682M_ | 0053 | 0153 | 0253 | 0353 | 6,800 | 20 | 100 |
| CKR04BX822K_ | 0054 | 0154 | 0254 | 0354 | 8,200 | 10 | 100 |
| CKR04BX103K_ | 0055 | 0155 | 0255 | 0355 | 10,000 | 10 | 100 |
| CKR04BX103M_ | 0056 | 0156 | 0256 | 0356 | 10,000 | 20 | 100 |
| CKR04BX123K_ | 0057 | 0157 | 0257 | 0357 | 12,000 | 10 | 50 |
| CKR04BX153K_ | 0058 | 0158 | 0258 | 0358 | 15,000 | 10 | 50 |
| CKR04BX153M_ | 0059 | 0159 | 0259 | 0359 | 15,000 | 20 | 50 |
| CKR04BX183K_ | 0060 | 0160 | 0260 | 0360 | 18,000 | 10 | 50 |
| CKR04BX223K_ | 0061 | 0161 | 0261 | 0361 | 22,000 | 10 | 50 |
| CKR04BX223M_ | 0062 | 0162 | 0262 | 0362 | 22,000 | 20 | 50 |
| CKR04BX273K_ | 0063 | 0163 | 0263 | 0363 | 27,000 | 10 | 50 |
| CKR04BX333K_ | 0064 | 0164 | 0264 | 0364 | 33,000 | 10 | 50 |
| CKR04BX333M_ | 0065 | 0165 | 0265 | 0365 | 33,000 | 20 | 50 |
| CKR04BX393K_ | 0066 | 0166 | 0266 | 0366 | 39,000 | 10 | 50 |
| CKR04BX473K_ | 0067 | 0167 | 0267 | 0367 | 47,000 | 10 | 50 |
| CKR04BX473M_ | 0068 | 0168 | 0268 | 0368 | 47,000 | 20 | 50 |
| CKR04BX563K_ | 0069 | 0169 | 0269 | 0369 | 56,000 | 10 | 50 |
| CKR04BX683K_ | 0070 | 0170 | 0270 | 0370 | 68,000 | 10 | 50 |
| CKR04BX683M_ | 0071 | 0171 | 0271 | 0371 | 68,000 | 20 | 50 |
| CKR04BX823K_ | 0072 | 0172 | 0272 | 0372 | 82,000 | 10 | 50 |
| CKR04BX104K_ | 0073 | 0173 | 0273 | 0373 | 100,000 | 10 | 50 |
| CKR04BX104M_ | 0074 | 0174 | 0274 | 0374 | 100,000 | 20 | 50 |

Add appropriate failure rate level letter (M, P, R or S)

MIL-PRF-39014/Radial Leads



MILITARY DASH NUMBER IDENTIFICATION CKR05 TO MIL-PRF-39014/01 (Dash Number From Table)

| Military Type Designation | Failure Rate Level (%/1,000 Hours) | | | | Capacitance (pF) | Capacitance Tolerance ±Percent | WVDC |
|---------------------------|------------------------------------|---------|----------|-----------|------------------|--------------------------------|------|
| | 1.0 (M) | 0.1 (P) | 0.01 (R) | 0.001 (S) | | | |
| CKR05 (BX) | | | | | | | |
| CKR05BX100K | 1201 | 1241 | 1281 | 1321 | 10 | 10 | 200 |
| CKR05BX100M | 1202 | 1242 | 1282 | 1322 | 10 | 20 | 200 |
| CKR05BX120K | 1203 | 1243 | 1283 | 1323 | 12 | 10 | 200 |
| CKR05BX150K | 1204 | 1244 | 1284 | 1324 | 15 | 10 | 200 |
| CKR05BX150M | 1205 | 1245 | 1285 | 1325 | 15 | 20 | 200 |
| CKR05BX180K | 1206 | 1246 | 1286 | 1326 | 18 | 10 | 200 |
| CKR05BX220K | 1207 | 1247 | 1287 | 1327 | 22 | 10 | 200 |
| CKR05BX220M | 1208 | 1248 | 1288 | 1328 | 22 | 20 | 200 |
| CKR05BX270K | 1209 | 1249 | 1289 | 1329 | 27 | 10 | 200 |
| CKR05BX330K | 1210 | 1250 | 1290 | 1330 | 33 | 10 | 200 |
| CKR05BX330M | 1211 | 1251 | 1291 | 1331 | 33 | 20 | 200 |
| CKR05BX390K | 1212 | 1252 | 1292 | 1332 | 39 | 10 | 200 |
| CKR05BX470K | 1213 | 1253 | 1293 | 1333 | 47 | 10 | 200 |
| CKR05BX470M | 1214 | 1254 | 1294 | 1334 | 47 | 20 | 200 |
| CKR05BX560K | 1215 | 1255 | 1295 | 1335 | 56 | 10 | 200 |
| CKR05BX680K | 1216 | 1256 | 1296 | 1336 | 68 | 10 | 200 |
| CKR05BX680M | 1217 | 1257 | 1297 | 1337 | 68 | 20 | 200 |
| CKR05BX820K | 1218 | 1258 | 1298 | 1338 | 82 | 10 | 200 |
| CKR05BX101K | 1219 | 1259 | 1299 | 1339 | 100 | 10 | 200 |
| CKR05BX101M | 1220 | 1260 | 1300 | 1340 | 100 | 20 | 200 |
| CKR05BX121K | 1221 | 1261 | 1301 | 1341 | 120 | 10 | 200 |
| CKR05BX151K | 1222 | 1262 | 1302 | 1342 | 150 | 10 | 200 |
| CKR05BX151M | 1223 | 1263 | 1303 | 1343 | 150 | 20 | 200 |
| CKR05BX181K | 1224 | 1264 | 1304 | 1344 | 180 | 10 | 200 |
| CKR05BX221K | 1225 | 1265 | 1305 | 1345 | 220 | 10 | 200 |
| CKR05BX221M | 1226 | 1266 | 1306 | 1346 | 220 | 20 | 200 |
| CKR05BX271K | 1227 | 1267 | 1307 | 1347 | 270 | 10 | 200 |
| CKR05BX331K | 1228 | 1268 | 1308 | 1348 | 330 | 10 | 200 |
| CKR05BX331M | 1229 | 1269 | 1309 | 1349 | 330 | 20 | 200 |
| CKR05BX391K | 1230 | 1270 | 1310 | 1350 | 390 | 10 | 200 |
| CKR05BX471K | 1231 | 1271 | 1311 | 1351 | 470 | 10 | 200 |
| CKR05BX471M | 1232 | 1272 | 1312 | 1352 | 470 | 20 | 200 |
| CKR05BX561K | 1233 | 1273 | 1313 | 1353 | 560 | 10 | 200 |
| CKR05BX681K | 1234 | 1274 | 1314 | 1354 | 680 | 10 | 200 |
| CKR05BX681M | 1235 | 1275 | 1315 | 1355 | 680 | 20 | 200 |
| CKR05BX821K | 1236 | 1276 | 1316 | 1356 | 820 | 10 | 200 |
| CKR05BX102K | 1237 | 1277 | 1317 | 1357 | 1,000 | 10 | 200 |
| CKR05BX102M | 1238 | 1278 | 1318 | 1358 | 1,000 | 20 | 200 |
| CKR05BX122K | 1239 | 1279 | 1319 | 1359 | 1,200 | 10 | 100 |
| CKR05BX152K | 1240 | 1280 | 1320 | 1360 | 1,500 | 10 | 100 |
| CKR05BX152M | 1441 | 1481 | 1521 | 1561 | 1,500 | 20 | 100 |
| CKR05BX182K | 1442 | 1482 | 1522 | 1562 | 1,800 | 10 | 100 |
| CKR05BX222K | 1443 | 1483 | 1523 | 1563 | 2,200 | 10 | 100 |
| CKR05BX222M | 1444 | 1484 | 1524 | 1564 | 2,200 | 20 | 100 |
| CKR05BX272K | 1445 | 1485 | 1525 | 1565 | 2,700 | 10 | 100 |
| CKR05BX332K | 1446 | 1486 | 1526 | 1566 | 3,300 | 10 | 100 |
| CKR05BX332M | 1447 | 1487 | 1527 | 1567 | 3,300 | 20 | 100 |
| CKR05BX392K | 1448 | 1488 | 1528 | 1568 | 3,900 | 10 | 100 |
| CKR05BX472K | 1449 | 1489 | 1529 | 1569 | 4,700 | 10 | 100 |
| CKR05BX472M | 1450 | 1490 | 1530 | 1570 | 4,700 | 20 | 100 |
| CKR05BX562K | 1451 | 1491 | 1531 | 1571 | 5,600 | 10 | 100 |
| CKR05BX682K | 1452 | 1492 | 1532 | 1572 | 6,800 | 10 | 100 |
| CKR05BX682M | 1453 | 1493 | 1533 | 1573 | 6,800 | 20 | 100 |
| CKR05BX822K | 1454 | 1494 | 1534 | 1574 | 8,200 | 10 | 100 |
| CKR05BX103K | 1455 | 1495 | 1535 | 1575 | 10,000 | 10 | 100 |
| CKR05BX103M | 1456 | 1496 | 1536 | 1576 | 10,000 | 20 | 100 |
| CKR05BX123K | 1457 | 1497 | 1537 | 1577 | 12,000 | 10 | 50 |
| CKR05BX153K | 1458 | 1498 | 1538 | 1578 | 15,000 | 10 | 50 |
| CKR05BX153M | 1459 | 1499 | 1539 | 1579 | 15,000 | 20 | 50 |
| CKR05BX183K | 1460 | 1500 | 1540 | 1580 | 18,000 | 10 | 50 |
| CKR05BX223K | 1461 | 1501 | 1541 | 1581 | 22,000 | 10 | 50 |
| CKR05BX223M | 1462 | 1502 | 1542 | 1582 | 22,000 | 20 | 50 |
| CKR05BX273K | 1463 | 1503 | 1543 | 1583 | 27,000 | 10 | 50 |
| CKR05BX333K | 1464 | 1504 | 1544 | 1584 | 33,000 | 10 | 50 |
| CKR05BX333M | 1465 | 1505 | 1545 | 1585 | 33,000 | 20 | 50 |
| CKR05BX393K | 1466 | 1506 | 1546 | 1586 | 39,000 | 10 | 50 |
| CKR05BX473K | 1467 | 1507 | 1547 | 1587 | 47,000 | 10 | 50 |
| CKR05BX473M | 1468 | 1508 | 1548 | 1588 | 47,000 | 20 | 50 |
| CKR05BX563K | 1469 | 1509 | 1549 | 1589 | 56,000 | 10 | 50 |
| CKR05BX683K | 1470 | 1510 | 1550 | 1590 | 68,000 | 10 | 50 |
| CKR05BX683M | 1471 | 1511 | 1551 | 1591 | 68,000 | 20 | 50 |
| CKR05BX823K | 1472 | 1512 | 1552 | 1592 | 82,000 | 10 | 50 |
| CKR05BX104K | 1473 | 1513 | 1553 | 1593 | 100,000 | 10 | 50 |
| CKR05BX104M | 1474 | 1514 | 1554 | 1594 | 100,000 | 20 | 50 |

Add appropriate failure rate level letter (M, P, R or S)



MILITARY DASH NUMBER IDENTIFICATION CKR06 TO MIL-PRF-39014/02

(Dash Number From Table)

| Military Type Designation | Failure Rate Level (%/1,000 Hours) | | | | Capacitance (pF) | Capacitance Tolerance ±Percent | WVDC |
|---------------------------|------------------------------------|---------|----------|-----------|------------------|--------------------------------|------|
| | 1.0 (M) | 0.1 (P) | 0.01 (R) | 0.001 (S) | | | |
| CKR06 (BX) | | | | | | | |
| CKR06BX122K_ | 1201 | 1241 | 1281 | 1321 | 1200 | 10 | 200 |
| CKR06BX152K_ | 1202 | 1242 | 1282 | 1322 | 1500 | 10 | 200 |
| CKR06BX152M_ | 1203 | 1243 | 1283 | 1323 | 1500 | 20 | 200 |
| CKR06BX182K_ | 1204 | 1244 | 1284 | 1324 | 1800 | 10 | 200 |
| CKR06BX222K_ | 1206 | 1246 | 1286 | 1326 | 2200 | 10 | 200 |
| CKR06BX222M_ | 1207 | 1247 | 1287 | 1327 | 2200 | 20 | 200 |
| CKR06BX272K_ | 1208 | 1248 | 1288 | 1328 | 2700 | 10 | 200 |
| CKR06BX332K_ | 1209 | 1249 | 1289 | 1329 | 3300 | 10 | 200 |
| CKR06BX332M_ | 1210 | 1250 | 1290 | 1330 | 3300 | 20 | 200 |
| CKR06BX392K_ | 1211 | 1251 | 1291 | 1331 | 3900 | 10 | 200 |
| CKR06BX472K_ | 1212 | 1252 | 1292 | 1332 | 4700 | 10 | 200 |
| CKR06BX472M_ | 1213 | 1253 | 1293 | 1333 | 4700 | 20 | 200 |
| CKR06BX562K_ | 1214 | 1254 | 1294 | 1334 | 5600 | 10 | 200 |
| CKR06BX682K_ | 1215 | 1255 | 1295 | 1335 | 6800 | 10 | 200 |
| CKR06BX682M_ | 1216 | 1256 | 1296 | 1336 | 6800 | 20 | 200 |
| CKR06BX822K_ | 1217 | 1257 | 1297 | 1337 | 8200 | 10 | 200 |
| CKR06BX103K_ | 1218 | 1258 | 1298 | 1338 | 10,000 | 10 | 200 |
| CKR06BX103M_ | 1219 | 1259 | 1299 | 1339 | 10,000 | 20 | 200 |
| CKR06BX123K_ | 1231 | 1271 | 1311 | 1351 | 12,000 | 10 | 100 |
| CKR06BX153K_ | 1220 | 1260 | 1300 | 1340 | 15,000 | 10 | 100 |
| CKR06BX183K_ | 1221 | 1261 | 1301 | 1341 | 18,000 | 10 | 100 |
| CKR06BX223K_ | 1222 | 1262 | 1302 | 1342 | 22,000 | 10 | 100 |
| CKR06BX273K_ | 1232 | 1272 | 1312 | 1352 | 27,000 | 10 | 100 |
| CKR06BX333K_ | 1223 | 1263 | 1303 | 1343 | 33,000 | 10 | 100 |
| CKR06BX393K_ | 1224 | 1264 | 1304 | 1344 | 39,000 | 10 | 100 |
| CKR06BX473K_ | 1225 | 1265 | 1305 | 1345 | 47,000 | 10 | 100 |
| CKR06BX563K_ | 1226 | 1266 | 1306 | 1346 | 56,000 | 10 | 100 |
| CKR06BX683K_ | 1227 | 1267 | 1307 | 1347 | 68,000 | 10 | 100 |
| CKR06BX823K_ | 1229 | 1269 | 1309 | 1349 | 82,000 | 10 | 100 |
| CKR06BX104K_ | 1230 | 1270 | 1310 | 1350 | 100,000 | 10 | 100 |
| CKR06BX124K_ | 1233 | 1273 | 1313 | 1353 | 120,000 | 10 | 50 |
| CKR06BX154K_ | 1234 | 1274 | 1314 | 1354 | 150,000 | 10 | 50 |
| CKR06BX184K_ | 1235 | 1275 | 1315 | 1355 | 180,000 | 10 | 50 |
| CKR06BX224K_ | 1236 | 1276 | 1316 | 1356 | 220,000 | 10 | 50 |
| CKR06BX274K_ | 1237 | 1277 | 1317 | 1357 | 270,000 | 10 | 50 |
| CKR06BX334K_ | 1238 | 1278 | 1318 | 1358 | 330,000 | 10 | 50 |
| CKR06BX394K_ | 1239 | 1279 | 1319 | 1359 | 390,000 | 10 | 50 |
| CKR06BX474K_ | 1240 | 1280 | 1320 | 1360 | 470,000 | 10 | 50 |
| CKR06BX564K_ | 1404 | 1408 | 1412 | 1416 | 560,000 | 10 | 50 |
| CKR06BX684K_ | 1405 | 1409 | 1413 | 1417 | 680,000 | 10 | 50 |
| CKR06BX824K_ | 1406 | 1410 | 1414 | 1418 | 820,000 | 10 | 50 |
| CKR06BX105K_ | 1407 | 1411 | 1415 | 1419 | 1,000,000 | 10 | 50 |

— Add appropriate failure rate level letter (M, P, R or S)

CKR08 to MIL-PRF-39014/20 (Dash Number From Table)

| Military Type Designation | Failure Rate Level (%/1,000 Hours) | | Capacitance (pF) | Capacitance Tolerance ±Percent | WVDC |
|---------------------------|------------------------------------|--|------------------|--------------------------------|------|
| | 1.0 (M) | | | | |
| CKR08 (BX) | | | | | |
| CKR08BX125K_ | 0104 | | 1,200,000 | 10 | 50 |
| CKR08BX155K_ | 0105 | | 1,500,000 | 10 | 50 |
| CKR08BX205K_ | 0106 | | 2,000,000 | 10 | 50 |

— Add appropriate failure rate level letter (M)

CROSS REFERENCE CHART - AVX MILITARY FOR MOLDED RADIAL LEAD

| Figure | AVX Style | Per Mil-Spec | | | Case Size | | | | |
|--------|-----------|--------------|---------------|------------|-----------------------|-----------------------|----------------------|-----------------------|---------------------|
| | | MIL-C-11015 | MIL-PRF-39014 | MIL-PRF-20 | Length(L) | Width (W) | Thickness (T) | Lead Spacing (LS) | Lead Diameter (LD) |
| 1 | MR05 | CK05 | CKR05 | CCR05/CC05 | 4.83±.25 (.190±.010) | 4.83±.25 (.190±.010) | 2.29±.25 (.090±.010) | 5.08±.38 (.200±.015) | .64±.05 (.025±.002) |
| 2 | MR04 | — | CKR04 | CCR09/CC09 | 4.83±.25 (.190±.010) | 4.83±.25 (.190±.010) | 2.29±.25 (.090±.010) | 2.54±.38 (.100±.015) | .64±.05 (.025±.002) |
| 2 | MR06 | CK06 | CKR06 | CCR06/CC06 | 7.37±.25 (.290±.010) | 7.37±.25 (.290±.010) | 2.29±.25 (.090±.010) | 5.08±.38 (.200±.015) | .64±.05 (.025±.002) |
| 2 | MR68 | — | CKR08 | — | 7.37±.25 (.290±.010) | 7.37±.25 (.290±.010) | 3.68±.38 (.145±.015) | 5.08±.38 (.200±.015) | .64±.05 (.025±.002) |
| 2 | MR07 | — | — | CCR07/CC07 | 12.19±.51 (.480±.020) | 12.19±.51 (.480±.020) | 3.56±.25 (.140±.010) | 10.16±.51 (.400±.020) | .64±.05 (.025±.002) |
| 2 | MR08 | — | — | CCR08/CC08 | 12.19±.51 (.480±.020) | 12.19±.51 (.480±.020) | 6.1±.25 (.240±.010) | 10.16±.51 (.400±.020) | .64±.05 (.025±.002) |

Dimensions: Millimeters (Inches)



HOW TO ORDER

Military Type Designation: Styles CKR11, CKR12, CKR14, CKR15, CKR16

Dash Number Option: MIL-PRF-39014/05 (Add Appropriate Dash Number)

CKR11

Style

CK = General purpose, ceramic dielectric, fixed capacitors
 R = Established Reliability parts
 11 = Remaining two numbers identify shape and dimension

BX

Voltage-Temperature Limits

First letter identifies temperature range.
 B = -55°C to +125°C
 Second letter identifies voltage-temperature coefficient.

| Capacitance Change with Reference to 25°C | | |
|---|------------|---------------|
| Second Letter | No Voltage | Rated Voltage |
| R | +15, -15% | +15, -40% |
| X | +15, -15% | +15, -25% |

103

Capacitance

First two digits are the significant figures of capacitance. Third digit indicates the additional number of zeros. For example, order 10,000 pF as 103.

K

Capacitance Tolerance

K = ±10%
 M = ±20%

S

Military Failure Rate

M = 1% per 1000 hours
 P = 0.1% per 1000 hours
 R = 0.01% per 1000 hours
 S = 0.001% per 1000 hours

Note:

AVX reserves the right to substitute a lower failure rate part per MIL-PRF-39014/5E.

Substitutability for failure rate levels shall be as follows:

| Failure Rate Level | Will Replace Failure Rate Level |
|--------------------|---------------------------------|
| S (STD) (X-ray) | R, P, M, L |
| R (STD) (No X-ray) | P, M, L |
| P | M, L |
| M | L |

PACKAGING REQUIREMENTS

Packaging: Bulk

CKR11, 12, & 14 100 pcs per bag
 CKR15 & 16 50 pcs per bag

Tape & Reel

CKR11, 12 5000 pcs per reel
 CKR14 3000 pcs per reel
 CKR15 950 pcs per reel
 CKR16 650 pcs per reel

SIZE SPECIFICATIONS

Dimensions: Millimeters (Inches)

| Per Mil Spec | Case Size | | |
|---------------|--------------------------|-------------------------|-------------------------|
| | Length (L) | Diameter (D) | Lead Diameter (L.D.) |
| MIL-PRF-39014 | | | |
| CKR11 | 4.07±.25 (.160±.010) | 2.29±.25 (.090±.010) | .48±.05 (.019±.002) |
| CKR12 | 6.35±.25 (.250±.010) | 2.29±.25 (.090±.010) | .48±.05 (.019±.002) |
| CKR14 | 9.91±.25 (.390±.010) | 3.56±.25 (.140±.010) | .63±.025 (.025±.002) |
| CKR15 | 12.7±.51 (.500±.020) | 6.35±.38 (.250±.015) | .63±.05 (.025±.002) |
| CKR16 | 17.53±.51 (.690±.020) | 8.89±.51 (.350±.020) | .63±.05 (.025±.002) |

MILITARY DASH NUMBER IDENTIFICATION CKR11 TO MIL-PRF-39014/05 (Dash Number From Table)

| Military Type Designation | Failure Rate Level (%/1,000 Hours) | | | | Capacitance (pF) | Capacitance Tolerance ±Percent | WVDC |
|---------------------------|------------------------------------|---------|----------|-----------|------------------|--------------------------------|------|
| | 1.0 (M) | 0.1 (P) | 0.01 (R) | 0.001 (S) | | | |
| CKR11 (BX) | | | | | | | |
| CKR11BX100K_ | 2601 | 2801 | 2001 | 2201 | 10 | 10 | 100 |
| CKR11BX100M_ | 2602 | 2802 | 2002 | 2202 | 10 | 20 | 100 |
| CKR11BX120K_ | 2603 | 2803 | 2003 | 2203 | 12 | 10 | 100 |
| CKR11BX150K_ | 2604 | 2804 | 2004 | 2204 | 15 | 10 | 100 |
| CKR11BX150M_ | 2605 | 2805 | 2005 | 2205 | 15 | 20 | 100 |
| CKR11BX180K_ | 2606 | 2806 | 2006 | 2206 | 18 | 10 | 100 |
| CKR11BX220K_ | 2607 | 2807 | 2007 | 2207 | 22 | 10 | 100 |
| CKR11BX220M_ | 2608 | 2808 | 2008 | 2208 | 22 | 20 | 100 |
| CKR11BX270K_ | 2609 | 2809 | 2009 | 2209 | 27 | 10 | 100 |
| CKR11BX330K_ | 2610 | 2810 | 2010 | 2210 | 33 | 10 | 100 |
| CKR11BX330M_ | 2611 | 2811 | 2011 | 2211 | 33 | 20 | 100 |
| CKR11BX390K_ | 2612 | 2812 | 2012 | 2212 | 39 | 10 | 100 |
| CKR11BX470K_ | 2613 | 2813 | 2013 | 2213 | 47 | 10 | 100 |
| CKR11BX470M_ | 2614 | 2814 | 2014 | 2214 | 47 | 20 | 100 |
| CKR11BX560K_ | 2615 | 2815 | 2015 | 2215 | 56 | 10 | 100 |
| CKR11BX680K_ | 2616 | 2816 | 2016 | 2216 | 68 | 10 | 100 |
| CKR11BX680M_ | 2617 | 2817 | 2017 | 2217 | 68 | 20 | 100 |
| CKR11BX820K_ | 2618 | 2818 | 2018 | 2218 | 82 | 10 | 100 |
| CKR11BX101K_ | 2619 | 2819 | 2019 | 2219 | 100 | 10 | 100 |
| CKR11BX101M_ | 2620 | 2820 | 2020 | 2220 | 100 | 20 | 100 |
| CKR11BX121K_ | 2621 | 2821 | 2021 | 2221 | 120 | 10 | 100 |
| CKR11BX151K_ | 2622 | 2822 | 2022 | 2222 | 150 | 10 | 100 |
| CKR11BX151M_ | 2623 | 2823 | 2023 | 2223 | 150 | 20 | 100 |
| CKR11BX181K_ | 2624 | 2824 | 2024 | 2224 | 180 | 10 | 100 |
| CKR11BX221K_ | 2625 | 2825 | 2025 | 2225 | 220 | 10 | 100 |
| CKR11BX221M_ | 2626 | 2826 | 2026 | 2226 | 220 | 20 | 100 |
| CKR11BX271K_ | 2627 | 2827 | 2027 | 2227 | 270 | 10 | 100 |
| CKR11BX331K_ | 2628 | 2828 | 2028 | 2228 | 330 | 10 | 100 |
| CKR11BX331M_ | 2629 | 2829 | 2029 | 2229 | 330 | 20 | 100 |
| CKR11BX391K_ | 2630 | 2830 | 2030 | 2230 | 390 | 10 | 100 |
| CKR11BX471K_ | 2631 | 2831 | 2031 | 2231 | 470 | 10 | 100 |
| CKR11BX471M_ | 2632 | 2832 | 2032 | 2232 | 470 | 20 | 100 |
| CKR11BX561K_ | 2633 | 2833 | 2033 | 2233 | 560 | 10 | 100 |
| CKR11BX681K_ | 2634 | 2834 | 2034 | 2234 | 680 | 10 | 100 |
| CKR11BX681M_ | 2635 | 2835 | 2035 | 2235 | 680 | 20 | 100 |
| CKR11BX821K_ | 2636 | 2836 | 2036 | 2236 | 820 | 10 | 100 |
| CKR11BX102K_ | 2637 | 2837 | 2037 | 2237 | 1000 | 10 | 100 |
| CKR11BX102M_ | 2638 | 2838 | 2038 | 2238 | 1000 | 20 | 100 |
| CKR11BX122K_ | 2639 | 2839 | 2039 | 2239 | 1200 | 10 | 100 |
| CKR11BX152K_ | 2640 | 2840 | 2040 | 2240 | 1500 | 10 | 100 |
| CKR11BX152M_ | 2641 | 2841 | 2041 | 2241 | 1500 | 20 | 100 |
| CKR11BX182K_ | 2642 | 2842 | 2042 | 2242 | 1800 | 10 | 100 |
| CKR11BX222K_ | 2643 | 2843 | 2043 | 2243 | 2200 | 10 | 100 |
| CKR11BX222M_ | 2644 | 2844 | 2044 | 2244 | 2200 | 20 | 100 |
| CKR11BX272K_ | 2645 | 2845 | 2045 | 2245 | 2700 | 10 | 100 |
| CKR11BX332K_ | 2646 | 2846 | 2046 | 2246 | 3300 | 10 | 100 |
| CKR11BX332M_ | 2647 | 2847 | 2047 | 2247 | 3300 | 20 | 100 |
| CKR11BX392K_ | 2648 | 2848 | 2048 | 2248 | 3900 | 10 | 100 |
| CKR11BX472K_ | 2649 | 2849 | 2049 | 2249 | 4700 | 10 | 100 |
| CKR11BX472M_ | 2650 | 2850 | 2050 | 2250 | 4700 | 20 | 100 |
| CKR11BX562K_ | 2651 | 2851 | 2051 | 2251 | 5600 | 10 | 50 |
| CKR11BX682K_ | 2652 | 2852 | 2052 | 2252 | 6800 | 10 | 50 |
| CKR11BX682M_ | 2653 | 2853 | 2053 | 2253 | 6800 | 20 | 50 |
| CKR11BX822K_ | 2654 | 2854 | 2054 | 2254 | 8200 | 10 | 50 |
| CKR11BX103K_ | 2655 | 2855 | 2055 | 2255 | 10,000 | 10 | 50 |
| CKR11BX103M_ | 2656 | 2856 | 2056 | 2256 | 10,000 | 20 | 50 |

— Add appropriate failure rate level letter (M, P, R or S)

MILITARY DASH NUMBER IDENTIFICATION CKR12/14/15 TO MIL-PRF-39014/05 (Dash Number From Table)

| Military Type Designation | Failure Rate Level (%/1,000 Hours) | | | | Capacitance (pF) | Capacitance Tolerance ±Percent | WVDC |
|---------------------------|------------------------------------|---------|----------|-----------|------------------|--------------------------------|------|
| | 1.0 (M) | 0.1 (P) | 0.01 (R) | 0.001 (S) | | | |
| CKR12 (BX) | | | | | | | |
| CKR12BX562K_ | 2657 | 2857 | 2057 | 2257 | 5600 | 10 | 100 |
| CKR12BX682K_ | 2658 | 2858 | 2058 | 2258 | 6800 | 10 | 100 |
| CKR12BX682M_ | 2659 | 2859 | 2059 | 2259 | 6800 | 20 | 100 |
| CKR12BX822K_ | 2660 | 2860 | 2060 | 2260 | 8200 | 10 | 100 |
| CKR12BX103K_ | 2661 | 2861 | 2061 | 2261 | 10,000 | 10 | 100 |
| CKR12BX103M_ | 2662 | 2862 | 2062 | 2262 | 10,000 | 20 | 100 |
| CKR12BX123K_ | 2663 | 2863 | 2063 | 2263 | 12,000 | 10 | 50 |
| CKR12BX153K_ | 2664 | 2864 | 2064 | 2264 | 15,000 | 10 | 50 |
| CKR12BX153M_ | 2665 | 2865 | 2065 | 2265 | 15,000 | 20 | 50 |
| CKR12BX183K_ | 2666 | 2866 | 2066 | 2266 | 18,000 | 10 | 50 |
| CKR12BX223K_ | 2667 | 2867 | 2067 | 2267 | 22,000 | 10 | 50 |
| CKR12BX223M_ | 2668 | 2868 | 2068 | 2268 | 22,000 | 20 | 50 |
| CKR12BX273K_ | 2669 | 2869 | 2069 | 2269 | 27,000 | 10 | 50 |
| CKR12BX333K_ | 2670 | 2870 | 2070 | 2270 | 33,000 | 10 | 50 |
| CKR12BX333M_ | 2671 | 2871 | 2071 | 2271 | 33,000 | 20 | 50 |
| CKR12BX393K_ | 2672 | 2872 | 2072 | 2272 | 39,000 | 10 | 50 |
| CKR12BX473K_ | 2673 | 2873 | 2073 | 2273 | 47,000 | 10 | 50 |
| CKR12BX473M_ | 2674 | 2874 | 2074 | 2274 | 47,000 | 20 | 50 |
| CKR14 (BX) | | | | | | | |
| CKR14BX123K_ | 2675 | 2875 | 2075 | 2275 | 12,000 | 10 | 100 |
| CKR14BX153K_ | 2676 | 2876 | 2076 | 2276 | 15,000 | 10 | 100 |
| CKR14BX153M_ | 2677 | 2877 | 2077 | 2277 | 15,000 | 20 | 100 |
| CKR14BX183K_ | 2678 | 2878 | 2078 | 2278 | 18,000 | 10 | 100 |
| CKR14BX223K_ | 2679 | 2879 | 2079 | 2279 | 22,000 | 10 | 100 |
| CKR14BX223M_ | 2680 | 2880 | 2080 | 2280 | 22,000 | 20 | 100 |
| CKR14BX273K_ | 2681 | 2881 | 2081 | 2281 | 27,000 | 10 | 100 |
| CKR14BX333K_ | 2682 | 2882 | 2082 | 2282 | 33,000 | 10 | 100 |
| CKR14BX333M_ | 2683 | 2883 | 2083 | 2283 | 33,000 | 20 | 100 |
| CKR14BX393K_ | 2684 | 2884 | 2084 | 2284 | 39,000 | 10 | 100 |
| CKR14BX473K_ | 2685 | 2885 | 2085 | 2285 | 47,000 | 10 | 100 |
| CKR14BX473M_ | 2686 | 2886 | 2086 | 2286 | 47,000 | 20 | 100 |
| CKR14BX563K_ | 2687 | 2887 | 2087 | 2287 | 56,000 | 10 | 50 |
| CKR14BX683K_ | 2688 | 2888 | 2088 | 2288 | 68,000 | 10 | 50 |
| CKR14BX683M_ | 2689 | 2889 | 2089 | 2289 | 68,000 | 20 | 50 |
| CKR14BX823K_ | 2690 | 2890 | 2090 | 2290 | 82,000 | 10 | 50 |
| CKR14BX104K_ | 2691 | 2891 | 2091 | 2291 | 100,000 | 10 | 50 |
| CKR14BX104M_ | 2692 | 2892 | 2092 | 2292 | 100,000 | 20 | 50 |
| CKR14 (BR) | | | | | | | |
| CKR14BR563K_ | 2693 | 2893 | 2093 | 2293 | 56,000 | 10 | 100 |
| CKR14BR683K_ | 2694 | 2894 | 2094 | 2294 | 68,000 | 10 | 100 |
| CKR14BR683M_ | 2695 | 2895 | 2095 | 2295 | 68,000 | 20 | 100 |
| CKR14BR823K_ | 2696 | 2896 | 2096 | 2296 | 82,000 | 10 | 100 |
| CKR14BR104K_ | 2697 | 2897 | 2097 | 2297 | 100,000 | 10 | 100 |
| CKR14BR104M_ | 2698 | 2898 | 2098 | 2298 | 100,000 | 20 | 100 |
| CKR14BR124K_ | 2699 | 2899 | 2099 | 2299 | 120,000 | 10 | 50 |
| CKR14BR154K_ | 2700 | 2900 | 2100 | 2300 | 150,000 | 10 | 50 |
| CKR14BR154M_ | 2701 | 2901 | 2101 | 2301 | 150,000 | 20 | 50 |
| CKR14BR184K_ | 2702 | 2902 | 2102 | 2302 | 180,000 | 10 | 50 |
| CKR14BR224K_ | 2703 | 2903 | 2103 | 2303 | 220,000 | 10 | 50 |
| CKR14BR224M_ | 2704 | 2904 | 2104 | 2304 | 220,000 | 20 | 50 |
| CKR14BR274K_ | 2705 | 2905 | 2105 | 2305 | 270,000 | 10 | 50 |
| CKR15 (BX) | | | | | | | |
| CKR15BX563K_ | 2706 | 2906 | 2106 | 2306 | 56,000 | 10 | 100 |
| CKR15BX683K_ | 2707 | 2907 | 2107 | 2307 | 68,000 | 10 | 100 |
| CKR15BX683M_ | 2708 | 2908 | 2108 | 2308 | 68,000 | 20 | 100 |
| CKR15BX823K_ | 2709 | 2909 | 2109 | 2309 | 82,000 | 10 | 100 |
| CKR15BX104K_ | 2710 | 2910 | 2110 | 2310 | 100,000 | 10 | 100 |
| CKR15BX104M_ | 2711 | 2911 | 2111 | 2311 | 100,000 | 20 | 100 |

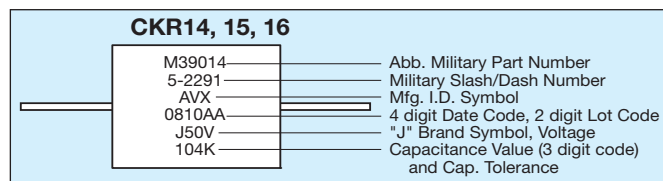
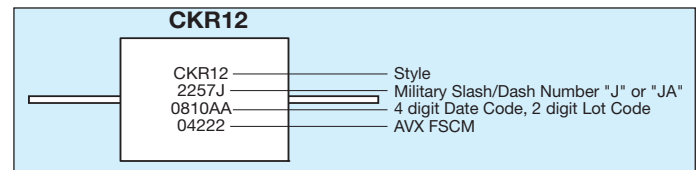
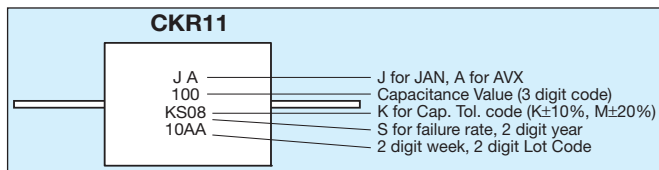
— Add appropriate failure rate level letter (M, P, R or S)

MILITARY DASH NUMBER IDENTIFICATION CKR15/16 TO MIL-PRF-39014/05 (Dash Number From Table)

| Military Type Designation | Failure Rate Level (%/1,000 Hours) | | | | Capacitance (pF) | Capacitance Tolerance ±Percent | WVDC |
|---------------------------|------------------------------------|---------|----------|-----------|------------------|--------------------------------|------|
| | 1.0 (M) | 0.1 (P) | 0.01 (R) | 0.001 (S) | | | |
| CKR15 (BR) | | | | | | | |
| CKR15BR124K_ | 2712 | 2912 | 2112 | 2312 | 120,000 | 10 | 100 |
| CKR15BR154K_ | 2713 | 2913 | 2113 | 2313 | 150,000 | 10 | 100 |
| CKR15BR154M_ | 2714 | 2914 | 2114 | 2314 | 150,000 | 20 | 100 |
| CKR15BR184K_ | 2715 | 2915 | 2115 | 2315 | 180,000 | 10 | 100 |
| CKR15BR224K_ | 2716 | 2916 | 2116 | 2316 | 220,000 | 10 | 100 |
| CKR15BR224M_ | 2717 | 2917 | 2117 | 2317 | 220,000 | 20 | 100 |
| CKR15BR274K_ | 2718 | 2918 | 2118 | 2318 | 270,000 | 10 | 100 |
| CKR15BR334K_ | 2719 | 2919 | 2119 | 2319 | 330,000 | 10 | 100 |
| CKR15BR334M_ | 2720 | 2920 | 2120 | 2320 | 330,000 | 20 | 100 |
| CKR15BR474K_ | 2721 | 2921 | 2121 | 2321 | 470,000 | 10 | 50 |
| CKR15BR474M_ | 2722 | 2922 | 2122 | 2322 | 470,000 | 20 | 50 |
| CKR15BR684K_ | 2723 | 2923 | 2123 | 2323 | 680,000 | 10 | 50 |
| CKR15BR684M_ | 2724 | 2924 | 2124 | 2324 | 680,000 | 20 | 50 |
| CKR15BR105K_ | 2725 | 2925 | 2125 | 2325 | 1,000,000 | 10 | 50 |
| CKR15BR105M_ | 2726 | 2926 | 2126 | 2326 | 1,000,000 | 20 | 50 |
| CKR16 (BR) | | | | | | | |
| CKR16BR474K_ | 2727 | 2927 | 2127 | 2327 | 470,000 | 10 | 100 |
| CKR16BR474M_ | 2728 | 2928 | 2128 | 2328 | 470,000 | 20 | 100 |
| CKR16BR684K_ | 2729 | 2929 | 2129 | 2329 | 680,000 | 10 | 100 |
| CKR16BR684M_ | 2730 | 2930 | 2130 | 2330 | 680,000 | 20 | 100 |
| CKR16BR105K_ | 2731 | 2931 | 2131 | 2331 | 1,000,000 | 10 | 100 |
| CKR16BR105M_ | 2732 | 2932 | 2132 | 2332 | 1,000,000 | 20 | 100 |
| CKR16BR225K_ | 2733 | 2933 | 2133 | 2333 | 2,200,000 | 10 | 50 |
| CKR16BR225M_ | 2734 | 2934 | 2134 | 2334 | 2,200,000 | 20 | 50 |
| CKR16BR335K_ | 2735 | 2935 | 2135 | 2335 | 3,300,000 | 10 | 50 |
| CKR16BR335M_ | 2736 | 2936 | 2136 | 2336 | 3,300,000 | 20 | 50 |

— Add appropriate failure rate level letter (M, P, R or S)

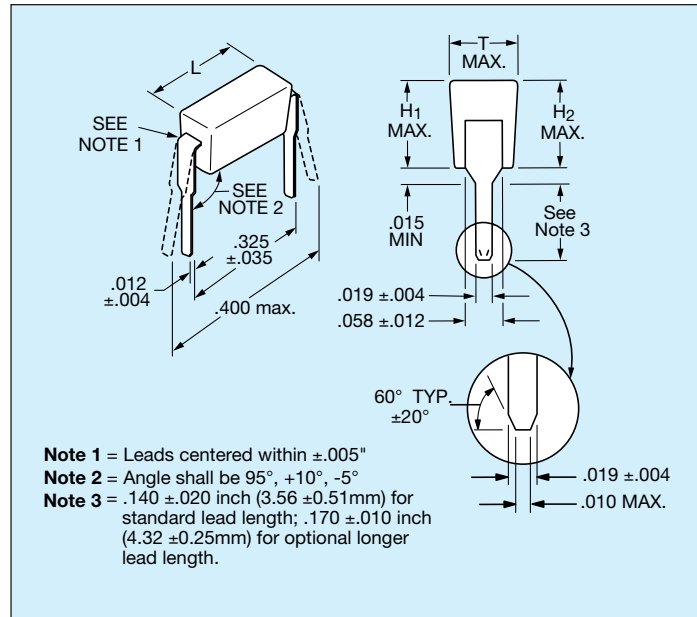
MARKING



CROSS REFERENCE CHART - AVX MILITARY FOR MOLDED AXIAL LEAD

| AVX Style | Per Mil-Spec | | | Case Size | | |
|-----------|--------------|---------------|------------|---------------------------|-------------------------|------------------------|
| | MIL-C-11015 | MIL-PRF-39014 | MIL-PRF-20 | Length (L) | Diameter (D) | Lead Diameter (L.D.) |
| MA10 | CK12 | CKR11 | CCR75/CC75 | 4.07 ±.25 (.160±.010) | 2.29±.25 (.090±.010) | .48±.05 (.019±.002) |
| MA20 | CK13 | CKR12 | CCR76/CC76 | 6.35 ±.25 (.250 ±.010) | 2.29±.25 (.090±.010) | .48±.05 (.019±.002) |
| MA30 | — | — | — | 6.10 ±.25 (.240±.010) | 3.30±.25 (.130±.010) | .48±.05 (.019±.002) |
| MA40 | CK14 | CKR14 | CCR77/CC77 | 9.91±.25 (.390±.010) | 3.56±.25 (.140±.010) | .63±.05 (.025±.002) |
| MA50 | CK15 | CKR15 | CCR78/CC78 | 12.7±.51 (.500±.020) | 6.35±.38 (.250±.015) | .63±.05 (.025±.002) |
| MA60 | CK16 | CKR16 | CCR79/CC79 | 17.53±.51 (.690±.020) | 8.89±.51 (.350±.015) | .63±.05 (.025±.002) |

Dimensions: Millimeters (Inches)



HOW TO ORDER

Military Type Designation: Styles CKR22, CKR23, CKR24

Dash Number Option: MIL-PRF-39014/22 (Add Appropriate Dash Number)

CKR22

Style

CK = General purpose, ceramic dielectric, fixed capacitors
 R = Established Reliability parts
 22 = Remaining two numbers identify shape and dimension

BX

Voltage-Temperature Limits

First letter identifies temperature range.
 B = -55°C to $+125^\circ\text{C}$
 C = -55°C to $+150^\circ\text{C}$
 Second letter identifies voltage-temperature coefficient.

| Capacitance Change with Reference to 25°C | | |
|---|-------------|---------------|
| Second Letter | No Voltage | Rated Voltage |
| G | +30, -30ppm | +30, -30ppm |
| H | +60, -60ppm | +60, -60ppm |
| R | +15, -15% | +15, -40% |
| X | +15, -15% | +15, -25% |

104

Capacitance

First two digits are the significant figures of capacitance. Third digit indicates the additional number of zeros. For example, order 100,000 pF as 104. (For values below 10pF use "R" in place of decimal point, e.g., 1R5 = 1.5pF)

K

Capacitance Tolerance

D = $\pm 5\text{pF}$
 F = $\pm 1\%$
 J = $\pm 5\%$
 K = $\pm 10\%$
 M = $\pm 20\%$

R

Military Failure Rate

M = 1% per 1000 hours
 P = 0.1% per 1000 hours
 R = 0.01% per 1000 hours
 S = 0.001% per 1000 hours

Note:
 AVX reserves the right to substitute a lower failure rate part per MIL-PRF-39014. Substitutability for failure rate levels shall be as follows:

| Failure Rate Level | Will Replace Failure Rate Level |
|--------------------|---------------------------------|
| S (STD) (X-ray) | R, P, M, L |
| R (STD) (No X-ray) | P, M, L |
| P | M, L |
| M | L |

PACKAGING REQUIREMENTS

Packaging: 200 pcs/slide pack. See page 35.

SIZE SPECIFICATIONS

Dimensions: Millimeters (Inches)

| MIL-PRF-39014 | Length (L) | Height (H ₁) | Height (H ₂) | Thickness |
|---------------|---------------------------|---------------------------|--------------------------|---------------------------|
| CKR22 | 6.60 (.260 \pm .020) | 3.25 (.128 \pm .007) | 4.45 max. (.175) | 2.34 (.092 \pm .006) |
| CKR23 | 6.60 (.260 \pm .020) | 3.94 (.155 \pm .007) | 4.45 max. (.175) | 2.34 (.092 \pm .006) |
| CKR24 | 6.60 (.260 \pm .020) | 7.19 (.283 \pm .007) | 8.13 max. (.320) | 2.34 (.092 \pm .006) |

MILITARY DASH NUMBER IDENTIFICATION CKR22 TO MIL-PRF-39014/22 (Dash Number From Table)

| Military Type Designation | Failure Rate Level (%/1,000 Hours) | | | | | | | | Capacitance (pF) | Capacitance Tolerance | WVDC | |
|--|------------------------------------|---------|----------|-----------|-----------------------------|---------|----------|-----------|------------------|-----------------------|-----------------|-----------------|
| | Standard Lead Length | | | | Optional Longer Lead Length | | | | | | | |
| | 1.0 (M) | 0.1 (P) | 0.01 (R) | 0.001 (S) | 1.0 (M) | 0.1 (P) | 0.01 (R) | 0.001 (S) | | | | |
| Style CKR22, Voltage-temperature limits of 0 ± 60 ppm/°C. | | | | | | | | | | | | |
| CKR22CH1R0D_ | 0001 | 0301 | 0601 | 0901 | 3001 | 3301 | 3601 | 3901 | 1.0 | D | 200 ↓ 200 | |
| CKR22CH1R2D_ | 0004 | 0304 | 0604 | 0904 | 3004 | 3304 | 3604 | 3904 | 1.2 | D | | |
| CKR22CH1R5D_ | 0007 | 0307 | 0607 | 0907 | 3007 | 3307 | 3607 | 3907 | 1.5 | D | | |
| CKR22CH1R8D_ | 0010 | 0310 | 0610 | 0910 | 3010 | 3310 | 3610 | 3910 | 1.8 | D | | |
| CKR22CH2R2D_ | 0013 | 0313 | 0613 | 0913 | 3013 | 3313 | 3613 | 3913 | 2.2 | D | | |
| CKR22CH2R7D_ | 0016 | 0316 | 0616 | 0916 | 3016 | 3316 | 3616 | 3916 | 2.7 | D | | |
| CKR22CH3R3D_ | 0019 | 0319 | 0619 | 0919 | 3019 | 3319 | 3619 | 3919 | 3.3 | D | | |
| CKR22CH3R9D_ | 0022 | 0322 | 0622 | 0922 | 3022 | 3322 | 3622 | 3922 | 3.9 | D | | |
| CKR22CH4R7D_ | 0025 | 0325 | 0625 | 0925 | 3025 | 3325 | 3625 | 3925 | 4.7 | D | | |
| CKR22CH5R6D_ | 0028 | 0328 | 0628 | 0928 | 3028 | 3328 | 3628 | 3928 | 5.6 | D | | |
| CKR22CH6R8D_ | 0031 | 0331 | 0631 | 0931 | 3031 | 3331 | 3631 | 3931 | 6.8 | D | | |
| CKR22CH8R2D_ | 0034 | 0334 | 0634 | 0934 | 3034 | 3334 | 3634 | 3934 | 8.2 | D | | |
| CKR22CH100D_ | 0037 | 0337 | 0637 | 0937 | 3037 | 3337 | 3637 | 3937 | 10 | D | | |
| CKR22CH100J_ | 0038 | 0338 | 0638 | 0938 | 3038 | 3338 | 3638 | 3938 | 10 | J | | |
| CKR22CH100K_ | 0039 | 0339 | 0639 | 0939 | 3039 | 3339 | 3639 | 3939 | 10 | K | | |
| CKR22CH120D_ | 0040 | 0340 | 0640 | 0940 | 3040 | 3340 | 3640 | 3940 | 12 | D | | |
| CKR22CH120J_ | 0041 | 0341 | 0641 | 0941 | 3041 | 3341 | 3641 | 3941 | 12 | J | | |
| CKR22CH120K_ | 0042 | 0342 | 0642 | 0942 | 3042 | 3342 | 3642 | 3942 | 12 | K | | |
| CKR22CH150D_ | 0043 | 0343 | 0643 | 0943 | 3043 | 3343 | 3643 | 3943 | 15 | D | | |
| CKR22CH150J_ | 0044 | 0344 | 0644 | 0944 | 3044 | 3344 | 3644 | 3944 | 15 | J | | |
| CKR22CH150K_ | 0045 | 0345 | 0645 | 0945 | 3045 | 3345 | 3645 | 3945 | 15 | K | | |
| CKR22CH180D_ | 0046 | 0346 | 0646 | 0946 | 3046 | 3346 | 3646 | 3946 | 18 | D | | |
| CKR22CH180J_ | 0047 | 0347 | 0647 | 0947 | 3047 | 3347 | 3647 | 3947 | 18 | J | | |
| CKR22CH180K_ | 0048 | 0348 | 0648 | 0948 | 3048 | 3348 | 3648 | 3948 | 18 | K | | |
| Style CKR22, Voltage-temperature limits of ±30 ppm/°C. | | | | | | | | | | | | |
| CKR22CG220D_ | 0049 | 0349 | 0649 | 0949 | 3049 | 3349 | 3649 | 3949 | 22 | D | | 200 ↓ 200 |
| CKR22CG220J_ | 0050 | 0350 | 0650 | 0950 | 3050 | 3350 | 3650 | 3950 | 22 | J | | |
| CKR22CG220K_ | 0051 | 0351 | 0651 | 0951 | 3051 | 3351 | 3651 | 3951 | 22 | K | | |
| CKR22CG270D_ | 0052 | 0352 | 0652 | 0952 | 3052 | 3352 | 3652 | 3952 | 27 | D | | |
| CKR22CG270J_ | 0053 | 0353 | 0653 | 0953 | 3053 | 3353 | 3653 | 3953 | 27 | J | | |
| CKR22CG270K_ | 0054 | 0354 | 0654 | 0954 | 3054 | 3354 | 3654 | 3954 | 27 | K | | |
| CKR22CG330D_ | 0055 | 0355 | 0655 | 0955 | 3055 | 3355 | 3655 | 3955 | 33 | D | | |
| CKR22CG330J_ | 0056 | 0356 | 0656 | 0956 | 3056 | 3356 | 3656 | 3956 | 33 | J | | |
| CKR22CG330K_ | 0057 | 0357 | 0657 | 0957 | 3057 | 3357 | 3657 | 3957 | 33 | K | | |
| CKR22CG390D_ | 0058 | 0358 | 0658 | 0958 | 3058 | 3358 | 3658 | 3958 | 39 | D | | |
| CKR22CG390J_ | 0059 | 0359 | 0659 | 0959 | 3059 | 3359 | 3659 | 3959 | 39 | J | | |
| CKR22CG390K_ | 0060 | 0360 | 0660 | 0960 | 3060 | 3360 | 3660 | 3960 | 39 | K | | |
| CKR22CG470D_ | 0061 | 0361 | 0661 | 0961 | 3061 | 3361 | 3661 | 3961 | 47 | D | | |
| CKR22CG470J_ | 0062 | 0362 | 0662 | 0962 | 3062 | 3362 | 3662 | 3962 | 47 | J | | |
| CKR22CG470K_ | 0063 | 0363 | 0663 | 0963 | 3063 | 3363 | 3663 | 3963 | 47 | K | | |
| CKR22CG560D_ | 0064 | 0364 | 0664 | 0964 | 3064 | 3364 | 3664 | 3964 | 56 | D | | |
| CKR22CG560J_ | 0065 | 0365 | 0665 | 0965 | 3065 | 3365 | 3665 | 3965 | 56 | J | | |
| CKR22CG560K_ | 0066 | 0366 | 0666 | 0966 | 3066 | 3366 | 3666 | 3966 | 56 | K | | |
| CKR22CG680F_ | 0067 | 0367 | 0667 | 0967 | 3067 | 3367 | 3667 | 3967 | 68 | F | | |
| CKR22CG680J_ | 0068 | 0368 | 0668 | 0968 | 3068 | 3368 | 3668 | 3968 | 68 | J | | |
| CKR22CG680K_ | 0069 | 0369 | 0669 | 0969 | 3069 | 3369 | 3669 | 3969 | 68 | K | | |
| CKR22CG820F_ | 0070 | 0370 | 0670 | 0970 | 3070 | 3370 | 3670 | 3970 | 82 | F | | |
| CKR22CG820J_ | 0071 | 0371 | 0671 | 0971 | 3071 | 3371 | 3671 | 3971 | 82 | J | | |
| CKR22CG820K_ | 0072 | 0372 | 0672 | 0972 | 3072 | 3372 | 3672 | 3972 | 82 | K | | |
| CKR22CG101F_ | 0073 | 0373 | 0673 | 0973 | 3073 | 3373 | 3673 | 3973 | 100 | F | | |
| CKR22CG101J_ | 0074 | 0374 | 0674 | 0974 | 3074 | 3374 | 3674 | 3974 | 100 | J | | |
| CKR22CG101K_ | 0075 | 0375 | 0675 | 0975 | 3075 | 3375 | 3675 | 3975 | 100 | K | | |
| CKR22CG121F_ | 0076 | 0376 | 0676 | 0976 | 3076 | 3376 | 3676 | 3976 | 120 | F | | |
| CKR22CG121J_ | 0077 | 0377 | 0677 | 0977 | 3077 | 3377 | 3677 | 3977 | 120 | J | | |
| CKR22CG121K_ | 0078 | 0378 | 0678 | 0978 | 3078 | 3378 | 3678 | 3978 | 120 | K | | |
| CKR22CG151F_ | 0079 | 0379 | 0679 | 0979 | 3079 | 3379 | 3679 | 3979 | 150 | F | | |
| CKR22CG151J_ | 0080 | 0380 | 0680 | 0980 | 3080 | 3380 | 3680 | 3980 | 150 | J | | |
| CKR22CG151K_ | 0081 | 0381 | 0681 | 0981 | 3081 | 3381 | 3681 | 3981 | 150 | K | | |
| CKR22CG181F_ | 0082 | 0382 | 0682 | 0982 | 3082 | 3382 | 3682 | 3982 | 180 | F | | |
| CKR22CG181J_ | 0083 | 0383 | 0683 | 0983 | 3083 | 3383 | 3683 | 3983 | 180 | J | | |
| CKR22CG181K_ | 0084 | 0384 | 0684 | 0984 | 3084 | 3384 | 3684 | 3984 | 180 | K | | |
| CKR22CG221F_ | 0085 | 0385 | 0685 | 0985 | 3085 | 3385 | 3685 | 3985 | 220 | F | | |
| CKR22CG221J_ | 0086 | 0386 | 0686 | 0986 | 3086 | 3386 | 3686 | 3986 | 220 | J | | |
| CKR22CG221K_ | 0087 | 0387 | 0687 | 0987 | 3087 | 3387 | 3687 | 3987 | 220 | K | | |
| CKR22CG271F_ | 0088 | 0388 | 0688 | 0988 | 3088 | 3388 | 3688 | 3988 | 270 | F | | |
| CKR22CG271J_ | 0089 | 0389 | 0689 | 0989 | 3089 | 3389 | 3689 | 3989 | 270 | J | | |

— Add appropriate failure rate level letter (M, P, R or S)

MILITARY DASH NUMBER IDENTIFICATION CKR22 TO MIL-PRF-39014/22 (Dash Number From Table)

| Military Type Designation | Failure Rate Level (%/1,000 Hours) | | | | | | | | Capacitance (pF) | Capacitance Tolerance | WVDC |
|--|------------------------------------|---------|----------|-----------|-----------------------------|---------|----------|-----------|------------------|-----------------------|--|
| | Standard Lead Length | | | | Optional Longer Lead Length | | | | | | |
| | 1.0 (M) | 0.1 (P) | 0.01 (R) | 0.001 (S) | 1.0 (M) | 0.1 (P) | 0.01 (R) | 0.001 (S) | | | |
| Style CKR22, Voltage-temperature limits of ± 30 ppm/ $^{\circ}$ C, (continued) | | | | | | | | | | | |
| CKR22CG271K_ | 0090 | 0390 | 0690 | 0990 | 3090 | 3390 | 3690 | 3990 | 270 | K | 200 ↓ 200 ↓ 100 ↓ 100 ↓ 50 ↓ 100 ↓ 50 ↓ 100 ↓ 50 ↓ 100 ↓ 50 ↓ 100 ↓ 50 |
| CKR22CG331F_ | 0091 | 0391 | 0691 | 0991 | 3091 | 3391 | 3691 | 3991 | 330 | F | |
| CKR22CG331J_ | 0092 | 0392 | 0692 | 0992 | 3092 | 3392 | 3692 | 3992 | 330 | J | |
| CKR22CG331K_ | 0093 | 0393 | 0693 | 0993 | 3093 | 3393 | 3693 | 3993 | 330 | K | |
| CKR22CG391F_ | 0094 | 0394 | 0694 | 0994 | 3094 | 3394 | 3694 | 3994 | 390 | F | |
| CKR22CG391J_ | 0095 | 0395 | 0695 | 0995 | 3095 | 3395 | 3695 | 3995 | 390 | J | |
| CKR22CG391K_ | 0096 | 0396 | 0696 | 0996 | 3096 | 3396 | 3696 | 3996 | 390 | K | |
| CKR22CG471F_ | 0097 | 0397 | 0697 | 0997 | 3097 | 3397 | 3697 | 3997 | 470 | F | |
| CKR22CG471J_ | 0098 | 0398 | 0698 | 0998 | 3098 | 3398 | 3698 | 3998 | 470 | J | |
| CKR22CG471K_ | 0099 | 0399 | 0699 | 0999 | 3099 | 3399 | 3699 | 3999 | 470 | K | |
| CKR22CG561F_ | 0100 | 0400 | 0700 | 1000 | 3100 | 3400 | 3700 | 4000 | 560 | F | |
| CKR22CG561J_ | 0101 | 0401 | 0701 | 1001 | 3101 | 3401 | 3701 | 4001 | 560 | J | |
| CKR22CG561K_ | 0102 | 0402 | 0702 | 1002 | 3102 | 3402 | 3702 | 4002 | 560 | K | |
| CKR22CG681F_ | 0103 | 0403 | 0703 | 1003 | 3103 | 3403 | 3703 | 4003 | 680 | F | |
| CKR22CG681J_ | 0104 | 0404 | 0704 | 1004 | 3104 | 3404 | 3704 | 4004 | 680 | J | |
| CKR22CG681K_ | 0105 | 0405 | 0705 | 1005 | 3105 | 3405 | 3705 | 4005 | 680 | K | |
| CKR22CG821F_ | 0106 | 0406 | 0706 | 1006 | 3106 | 3406 | 3706 | 4006 | 820 | F | |
| CKR22CG821J_ | 0107 | 0407 | 0707 | 1007 | 3107 | 3407 | 3707 | 4007 | 820 | J | |
| CKR22CG821K_ | 0108 | 0408 | 0708 | 1008 | 3108 | 3408 | 3708 | 4008 | 820 | K | |
| CKR22CG102F_ | 0109 | 0409 | 0709 | 1009 | 3109 | 3409 | 3709 | 4009 | 1000 | F | |
| CKR22CG102J_ | 0110 | 0410 | 0710 | 1010 | 3110 | 3410 | 3710 | 4010 | 1000 | J | |
| CKR22CG102K_ | 0111 | 0411 | 0711 | 1011 | 3111 | 3411 | 3711 | 4011 | 1000 | K | |
| CKR22CG122F_ | 0112 | 0412 | 0712 | 1012 | 3112 | 3412 | 3712 | 4012 | 1200 | F | |
| CKR22CG122J_ | 0113 | 0413 | 0713 | 1013 | 3113 | 3413 | 3713 | 4013 | 1200 | J | |
| CKR22CG122K_ | 0114 | 0414 | 0714 | 1014 | 3114 | 3414 | 3714 | 4014 | 1200 | K | |
| CKR22CG152F_ | 0115 | 0415 | 0715 | 1015 | 3115 | 3415 | 3715 | 4015 | 1500 | F | |
| CKR22CG152J_ | 0116 | 0416 | 0716 | 1016 | 3116 | 3416 | 3716 | 4016 | 1500 | J | |
| CKR22CG152K_ | 0117 | 0417 | 0717 | 1017 | 3117 | 3417 | 3717 | 4017 | 1500 | K | |
| CKR22CG182F_ | 0118 | 0418 | 0718 | 1018 | 3118 | 3418 | 3718 | 4018 | 1800 | F | |
| CKR22CG182J_ | 0119 | 0419 | 0719 | 1019 | 3119 | 3419 | 3719 | 4019 | 1800 | J | |
| CKR22CG182K_ | 0120 | 0420 | 0720 | 1020 | 3120 | 3420 | 3720 | 4020 | 1800 | K | |
| CKR22CG222F_ | 0121 | 0421 | 0721 | 1021 | 3121 | 3421 | 3721 | 4021 | 2200 | F | |
| CKR22CG222J_ | 0122 | 0422 | 0722 | 1022 | 3122 | 3422 | 3722 | 4022 | 2200 | J | |
| CKR22CG222K_ | 0123 | 0423 | 0723 | 1023 | 3123 | 3423 | 3723 | 4023 | 2200 | K | |
| CKR22CG272F_ | 0124 | 0424 | 0724 | 1024 | 3124 | 3424 | 3724 | 4024 | 2700 | F | |
| CKR22CG272J_ | 0125 | 0425 | 0725 | 1025 | 3125 | 3425 | 3725 | 4025 | 2700 | J | |
| CKR22CG272K_ | 0126 | 0426 | 0726 | 1026 | 3126 | 3426 | 3726 | 4026 | 2700 | K | |
| CKR22CG332F_ | 0127 | 0427 | 0727 | 1027 | 3127 | 3427 | 3727 | 4027 | 3300 | F | |
| CKR22CG332J_ | 0128 | 0428 | 0728 | 1028 | 3128 | 3428 | 3728 | 4028 | 3300 | J | |
| CKR22CG332K_ | 0129 | 0429 | 0729 | 1029 | 3129 | 3429 | 3729 | 4029 | 3300 | K | |
| CKR22CG392F_ | 0130 | 0430 | 0730 | 1030 | 3130 | 3430 | 3730 | 4030 | 3900 | F | |
| CKR22CG392J_ | 0131 | 0431 | 0731 | 1031 | 3131 | 3431 | 3731 | 4031 | 3900 | J | |
| CKR22CG392K_ | 0132 | 0432 | 0732 | 1032 | 3132 | 3432 | 3732 | 4032 | 3900 | K | |
| CKR22CG472F_ | 0133 | 0433 | 0733 | 1033 | 3133 | 3433 | 3733 | 4033 | 4700 | F | |
| CKR22CG472J_ | 0134 | 0434 | 0734 | 1034 | 3134 | 3434 | 3734 | 4034 | 4700 | J | |
| CKR22CG472K_ | 0135 | 0435 | 0735 | 1035 | 3135 | 3435 | 3735 | 4035 | 4700 | K | |
| CKR22CG562F_ | 0136 | 0436 | 0736 | 1036 | 3136 | 3436 | 3736 | 4036 | 5600 | F | |
| CKR22CG562J_ | 0137 | 0437 | 0737 | 1037 | 3137 | 3437 | 3737 | 4037 | 5600 | J | |
| CKR22CG562K_ | 0138 | 0438 | 0738 | 1038 | 3138 | 3438 | 3738 | 4038 | 5600 | K | |
| CKR22CG682F_ | 0139 | 0439 | 0739 | 1039 | 3139 | 3439 | 3739 | 4039 | 6800 | F | |
| CKR22CG682J_ | 0140 | 0440 | 0740 | 1040 | 3140 | 3440 | 3740 | 4040 | 6800 | J | |
| CKR22CG682K_ | 0141 | 0441 | 0741 | 1041 | 3141 | 3441 | 3741 | 4041 | 6800 | K | |
| CKR22CG822F_ | 0142 | 0442 | 0742 | 1042 | 3142 | 3442 | 3742 | 4042 | 8200 | F | |
| CKR22CG822J_ | 0143 | 0443 | 0743 | 1043 | 3143 | 3443 | 3743 | 4043 | 8200 | J | |
| CKR22CG822K_ | 0144 | 0444 | 0744 | 1044 | 3144 | 3444 | 3744 | 4044 | 8200 | K | |
| CKR22CG103F_ | 0145 | 0445 | 0745 | 1045 | 3145 | 3445 | 3745 | 4045 | 10,000 | F | |
| CKR22CG103J_ | 0146 | 0446 | 0746 | 1046 | 3146 | 3446 | 3746 | 4046 | 10,000 | J | |
| CKR22CG103K_ | 0147 | 0447 | 0747 | 1047 | 3147 | 3447 | 3747 | 4047 | 10,000 | K | |

— Add appropriate failure rate level letter (M, P, R or S)

MILITARY DASH NUMBER IDENTIFICATION CKR22 TO MIL-PRF-39014/22 (Dash Number From Table)

| Military Type Designation | Failure Rate Level (%/1,000 Hours) | | | | | | | | Capacitance (pF) | Capacitance Tolerance | WVDC |
|---|------------------------------------|---------|----------|-----------|-----------------------------|---------|----------|-----------|------------------|-----------------------|----------|
| | Standard Lead Length | | | | Optional Longer Lead Length | | | | | | |
| | 1.0 (M) | 0.1 (P) | 0.01 (R) | 0.001 (S) | 1.0 (M) | 0.1 (P) | 0.01 (R) | 0.001 (S) | | | |
| Style CKR22, Voltage-temperature limits of ±15% (+15%, -25% for Rated Voltage) | | | | | | | | | | | |
| CKR22BX271K_ | 0148 | 0448 | 0748 | 1048 | 3148 | 3448 | 3748 | 4048 | 270 | K | 200 ↓ |
| CKR22BX331K_ | 0149 | 0449 | 0749 | 1049 | 3149 | 3449 | 3749 | 4049 | 330 | K | |
| CKR22BX331M_ | 0150 | 0450 | 0750 | 1050 | 3150 | 3450 | 3750 | 4050 | 330 | M | |
| CKR22BX391K_ | 0151 | 0451 | 0751 | 1051 | 3151 | 3451 | 3751 | 4051 | 390 | K | |
| CKR22BX471K_ | 0152 | 0452 | 0752 | 1052 | 3152 | 3452 | 3752 | 4052 | 470 | K | |
| CKR22BX471M_ | 0153 | 0453 | 0753 | 1053 | 3153 | 3453 | 3753 | 4053 | 470 | M | |
| CKR22BX561K_ | 0154 | 0454 | 0754 | 1054 | 3154 | 3454 | 3754 | 4054 | 560 | K | |
| CKR22BX681K_ | 0155 | 0455 | 0755 | 1055 | 3155 | 3455 | 3755 | 4055 | 680 | K | |
| CKR22BX681M_ | 0156 | 0456 | 0756 | 1056 | 3156 | 3456 | 3756 | 4056 | 680 | M | |
| CKR22BX821K_ | 0157 | 0457 | 0757 | 1057 | 3157 | 3457 | 3757 | 4057 | 820 | K | |
| CKR22BX102K_ | 0158 | 0458 | 0758 | 1058 | 3158 | 3458 | 3758 | 4058 | 1,000 | K | |
| CKR22BX102M_ | 0159 | 0459 | 0759 | 1059 | 3159 | 3459 | 3759 | 4059 | 1,000 | M | |
| CKR22BX122K_ | 0160 | 0460 | 0760 | 1060 | 3160 | 3460 | 3760 | 4060 | 1,200 | K | |
| CKR22BX152K_ | 0161 | 0461 | 0761 | 1061 | 3161 | 3461 | 3761 | 4061 | 1,500 | K | |
| CKR22BX152M_ | 0162 | 0462 | 0762 | 1062 | 3162 | 3462 | 3762 | 4062 | 1,500 | M | |
| CKR22BX182K_ | 0163 | 0463 | 0763 | 1063 | 3163 | 3463 | 3763 | 4063 | 1,800 | K | |
| CKR22BX222K_ | 0164 | 0464 | 0764 | 1064 | 3164 | 3464 | 3764 | 4064 | 2,200 | K | |
| CKR22BX222M_ | 0165 | 0465 | 0765 | 1065 | 3165 | 3465 | 3765 | 4065 | 2,200 | M | |
| CKR22BX272K_ | 0166 | 0466 | 0766 | 1066 | 3166 | 3466 | 3766 | 4066 | 2,700 | K | |
| CKR22BX332K_ | 0167 | 0467 | 0767 | 1067 | 3167 | 3467 | 3767 | 4067 | 3,300 | K | |
| CKR22BX332M_ | 0168 | 0468 | 0768 | 1068 | 3168 | 3468 | 3768 | 4068 | 3,300 | M | |
| CKR22BX392K_ | 0169 | 0469 | 0769 | 1069 | 3169 | 3469 | 3769 | 4069 | 3,900 | K | |
| CKR22BX472K_ | 0170 | 0470 | 0770 | 1070 | 3170 | 3470 | 3770 | 4070 | 4,700 | K | |
| CKR22BX472M_ | 0171 | 0471 | 0771 | 1071 | 3171 | 3471 | 3771 | 4071 | 4,700 | M | |
| CKR22BX562K_ | 0172 | 0472 | 0772 | 1072 | 3172 | 3472 | 3772 | 4072 | 5,600 | K | |
| CKR22BX682K_ | 0173 | 0473 | 0773 | 1073 | 3173 | 3473 | 3773 | 4073 | 6,800 | K | |
| CKR22BX682M_ | 0174 | 0474 | 0774 | 1074 | 3174 | 3474 | 3774 | 4074 | 6,800 | M | |
| CKR22BX822K_ | 0175 | 0475 | 0775 | 1075 | 3175 | 3475 | 3775 | 4075 | 8,200 | K | |
| CKR22BX103K_ | 0176 | 0476 | 0776 | 1076 | 3176 | 3476 | 3776 | 4076 | 10,000 | K | |
| CKR22BX103M_ | 0177 | 0477 | 0777 | 1077 | 3177 | 3477 | 3777 | 4077 | 10,000 | M | |
| CKR22BX123K_ | 0178 | 0478 | 0778 | 1078 | 3178 | 3478 | 3778 | 4078 | 12,000 | K | |
| CKR22BX153K_ | 0179 | 0479 | 0779 | 1079 | 3179 | 3479 | 3779 | 4079 | 15,000 | K | |
| CKR22BX153M_ | 0180 | 0480 | 0780 | 1080 | 3180 | 3480 | 3780 | 4080 | 15,000 | M | |
| CKR22BX183K_ | 0181 | 0481 | 0781 | 1081 | 3181 | 3481 | 3781 | 4081 | 18,000 | K | |
| CKR22BX223K_ | 0182 | 0482 | 0782 | 1082 | 3182 | 3482 | 3782 | 4082 | 22,000 | K | |
| CKR22BX223M_ | 0183 | 0483 | 0783 | 1083 | 3183 | 3483 | 3783 | 4083 | 22,000 | M | |
| CKR22BX273K_ | 0184 | 0484 | 0784 | 1084 | 3184 | 3484 | 3784 | 4084 | 27,000 | K | |
| CKR22BX333K_ | 0185 | 0485 | 0785 | 1085 | 3185 | 3485 | 3785 | 4085 | 33,000 | K | |
| CKR22BX333M_ | 0186 | 0486 | 0786 | 1086 | 3186 | 3486 | 3786 | 4086 | 33,000 | M | |
| CKR22BX393K_ | 0187 | 0487 | 0787 | 1087 | 3187 | 3487 | 3787 | 4087 | 39,000 | K | |
| CKR22BX473K_ | 0188 | 0488 | 0788 | 1088 | 3188 | 3488 | 3788 | 4088 | 47,000 | K | |
| CKR22BX473M_ | 0189 | 0489 | 0789 | 1089 | 3189 | 3489 | 3789 | 4089 | 47,000 | M | |
| CKR22BX563K_ | 0190 | 0490 | 0790 | 1090 | 3190 | 3490 | 3790 | 4090 | 56,000 | K | |
| CKR22BX683K_ | 0191 | 0491 | 0791 | 1091 | 3191 | 3491 | 3791 | 4091 | 68,000 | K | |
| CKR22BX683M_ | 0192 | 0492 | 0792 | 1092 | 3192 | 3492 | 3792 | 4092 | 68,000 | M | |
| CKR22BX823K_ | 0193 | 0493 | 0793 | 1093 | 3193 | 3493 | 3793 | 4093 | 82,000 | K | |
| CKR22BX104K_ | 0194 | 0494 | 0794 | 1094 | 3194 | 3494 | 3794 | 4094 | 100,000 | K | |
| CKR22BX104M_ | 0195 | 0495 | 0795 | 1095 | 3195 | 3495 | 3795 | 4095 | 100,000 | M | |

— Add appropriate failure rate level letter (M, P, R or S)

MILITARY DASH NUMBER IDENTIFICATION CKR23 TO MIL-PRF-39014/22 (Dash Number From Table)

| Military Type Designation | Failure Rate Level (%/1,000 Hours) | | | | | | | | Capacitance (pF) | Capacitance Tolerance | WVDC |
|---|------------------------------------|---------|----------|-----------|-----------------------------|---------|----------|-----------|------------------|-----------------------|------|
| | Standard Lead Length | | | | Optional Longer Lead Length | | | | | | |
| | 1.0 (M) | 0.1 (P) | 0.01 (R) | 0.001 (S) | 1.0 (M) | 0.1 (P) | 0.01 (R) | 0.001 (S) | | | |
| Style CKR23, Voltage-temperature limits of 0 ± 60 ppm/°C | | | | | | | | | | | |
| CKR23CG561F | 0258 | 0558 | 0858 | 1158 | 3258 | 3558 | 3858 | 4158 | 560 | F | 200 |
| CKR23CG561J | 0259 | 0559 | 0859 | 1159 | 3259 | 3559 | 3859 | 4159 | 560 | J | |
| CKR23CG561K | 0260 | 0560 | 0860 | 1160 | 3260 | 3560 | 3860 | 4160 | 560 | K | |
| CKR23CG681F | 0261 | 0561 | 0861 | 1161 | 3261 | 3561 | 3861 | 4161 | 680 | F | |
| CKR23CG681J | 0262 | 0562 | 0862 | 1162 | 3262 | 3562 | 3862 | 4162 | 680 | J | |
| CKR23CG681K | 0263 | 0563 | 0863 | 1163 | 3263 | 3563 | 3863 | 4163 | 680 | K | |
| CKR23CG821F | 0264 | 0564 | 0864 | 1164 | 3264 | 3564 | 3864 | 4164 | 820 | F | |
| CKR23CG821J | 0265 | 0565 | 0865 | 1165 | 3265 | 3565 | 3865 | 4165 | 820 | J | |
| CKR23CG821K | 0266 | 0566 | 0866 | 1166 | 3266 | 3566 | 3866 | 4166 | 820 | K | |
| CKR23CG102F | 0267 | 0567 | 0867 | 1167 | 3267 | 3567 | 3867 | 4167 | 1,000 | F | |
| CKR23CG102J | 0268 | 0568 | 0868 | 1168 | 3268 | 3568 | 3868 | 4168 | 1,000 | J | |
| CKR23CG102K | 0269 | 0569 | 0869 | 1169 | 3269 | 3569 | 3869 | 4169 | 1,000 | K | |
| CKR23CG122F | 0270 | 0570 | 0870 | 1170 | 3270 | 3570 | 3870 | 4170 | 1,200 | F | |
| CKR23CG122J | 0271 | 0571 | 0871 | 1171 | 3271 | 3571 | 3871 | 4171 | 1,200 | J | |
| CKR23CG122K | 0272 | 0572 | 0872 | 1172 | 3272 | 3572 | 3872 | 4172 | 1,200 | K | |
| CKR23CG272F | 0273 | 0573 | 0873 | 1173 | 3273 | 3573 | 3873 | 4173 | 2,700 | F | |
| CKR23CG272J | 0274 | 0574 | 0874 | 1174 | 3274 | 3574 | 3874 | 4174 | 2,700 | J | |
| CKR23CG272K | 0275 | 0575 | 0875 | 1175 | 3275 | 3575 | 3875 | 4175 | 2,700 | K | |
| CKR23CG332F | 0276 | 0576 | 0876 | 1176 | 3276 | 3576 | 3876 | 4176 | 3,300 | F | |
| CKR23CG332J | 0277 | 0577 | 0877 | 1177 | 3277 | 3577 | 3877 | 4177 | 3,300 | J | |
| CKR23CG332K | 0278 | 0578 | 0878 | 1178 | 3278 | 3578 | 3878 | 4178 | 3,300 | K | |
| CKR23CG472F | 0279 | 0579 | 0879 | 1179 | 3279 | 3579 | 3879 | 4179 | 4,700 | F | |
| CKR23CG472J | 0280 | 0580 | 0880 | 1180 | 3280 | 3580 | 3880 | 4180 | 4,700 | J | |
| CKR23CG472K | 0281 | 0581 | 0881 | 1181 | 3281 | 3581 | 3881 | 4181 | 4,700 | K | |
| CKR23CG562F | 0282 | 0582 | 0882 | 1182 | 3282 | 3582 | 3882 | 4182 | 5,600 | F | |
| CKR23CG562J | 0283 | 0583 | 0883 | 1183 | 3283 | 3583 | 3883 | 4183 | 5,600 | J | |
| CKR23CG562K | 0284 | 0584 | 0884 | 1184 | 3284 | 3584 | 3884 | 4184 | 5,600 | K | |
| CKR23CG682F | 0285 | 0585 | 0885 | 1185 | 3285 | 3585 | 3885 | 4185 | 6,800 | F | |
| CKR23CG682J | 0286 | 0586 | 0886 | 1186 | 3286 | 3586 | 3886 | 4186 | 6,800 | J | |
| CKR23CG682K | 0287 | 0587 | 0887 | 1187 | 3287 | 3587 | 3887 | 4187 | 6,800 | K | |
| CKR23CG822F | 0288 | 0588 | 0888 | 1188 | 3288 | 3588 | 3888 | 4188 | 8,200 | F | |
| CKR23CG822J | 0289 | 0589 | 0889 | 1189 | 3289 | 3589 | 3889 | 4189 | 8,200 | J | |
| CKR23CG822K | 0290 | 0590 | 0890 | 1190 | 3290 | 3590 | 3890 | 4190 | 8,200 | K | |
| CKR23CG103F | 0291 | 0591 | 0891 | 1191 | 3291 | 3591 | 3891 | 4191 | 10,000 | F | |
| CKR23CG103J | 0292 | 0592 | 0892 | 1192 | 3292 | 3592 | 3892 | 4192 | 10,000 | J | |
| CKR23CG103K | 0293 | 0593 | 0893 | 1193 | 3293 | 3593 | 3893 | 4193 | 10,000 | K | |
| Style CKR23, voltage-temperature limits of ±15% (+15%, -25% for Rated Voltage) | | | | | | | | | | | |
| CKR23BX102K | 0196 | 0496 | 0796 | 1096 | 3196 | 3496 | 3796 | 4096 | 1,000 | K | 200 |
| CKR23BX102M | 0197 | 0497 | 0797 | 1097 | 3197 | 3497 | 3797 | 4097 | 1,000 | M | |
| CKR23BX122K | 0198 | 0498 | 0798 | 1098 | 3198 | 3498 | 3798 | 4098 | 1,200 | K | |
| CKR23BX152K | 0199 | 0499 | 0799 | 1099 | 3199 | 3499 | 3799 | 4099 | 1,500 | K | |
| CKR23BX152M | 0200 | 0500 | 0800 | 1100 | 3200 | 3500 | 3800 | 4100 | 1,500 | M | |
| CKR23BX182K | 0201 | 0501 | 0801 | 1101 | 3201 | 3501 | 3801 | 4101 | 1,800 | K | |
| CKR23BX222K | 0202 | 0502 | 0802 | 1102 | 3202 | 3502 | 3802 | 4102 | 2,200 | K | |
| CKR23BX222M | 0203 | 0503 | 0803 | 1103 | 3203 | 3503 | 3803 | 4103 | 2,200 | M | |
| CKR23BX272K | 0204 | 0504 | 0804 | 1104 | 3204 | 3504 | 3804 | 4104 | 2,700 | K | |
| CKR23BX332K | 0205 | 0505 | 0805 | 1105 | 3205 | 3505 | 3805 | 4105 | 3,300 | K | |
| CKR23BX332M | 0206 | 0506 | 0806 | 1106 | 3206 | 3506 | 3806 | 4106 | 3,300 | M | |
| CKR23BX392K | 0207 | 0507 | 0807 | 1107 | 3207 | 3507 | 3807 | 4107 | 3,900 | K | |
| CKR23BX472K | 0208 | 0508 | 0808 | 1108 | 3208 | 3508 | 3808 | 4108 | 4,700 | K | |
| CKR23BX472M | 0209 | 0509 | 0809 | 1109 | 3209 | 3509 | 3809 | 4109 | 4,700 | M | |
| CKR23BX562K | 0210 | 0510 | 0810 | 1110 | 3210 | 3510 | 3810 | 4110 | 5,600 | K | |
| CKR23BX682K | 0211 | 0511 | 0811 | 1111 | 3211 | 3511 | 3811 | 4111 | 6,800 | K | |
| CKR23BX682M | 0212 | 0512 | 0812 | 1112 | 3212 | 3512 | 3812 | 4112 | 6,800 | M | |
| CKR23BX822K | 0213 | 0513 | 0813 | 1113 | 3213 | 3513 | 3813 | 4113 | 8,200 | K | |
| CKR23BX103K | 0214 | 0514 | 0814 | 1114 | 3214 | 3514 | 3814 | 4114 | 10,000 | K | |
| CKR23BX103M | 0215 | 0515 | 0815 | 1115 | 3215 | 3515 | 3815 | 4115 | 10,000 | M | |
| CKR23BX123K | 0216 | 0516 | 0816 | 1116 | 3216 | 3516 | 3816 | 4116 | 12,000 | K | |
| CKR23BX153K | 0217 | 0517 | 0817 | 1117 | 3217 | 3517 | 3817 | 4117 | 15,000 | K | |
| CKR23BX153M | 0218 | 0518 | 0818 | 1118 | 3218 | 3518 | 3818 | 4118 | 15,000 | M | |
| CKR23BX183K | 0219 | 0519 | 0819 | 1119 | 3219 | 3519 | 3819 | 4119 | 18,000 | K | |
| CKR23BX223K | 0220 | 0520 | 0820 | 1120 | 3220 | 3520 | 3820 | 4120 | 22,000 | K | |
| CKR23BX223M | 0221 | 0521 | 0821 | 1121 | 3221 | 3521 | 3821 | 4121 | 22,000 | M | |
| CKR23BX273K | 0222 | 0522 | 0822 | 1122 | 3222 | 3522 | 3822 | 4122 | 27,000 | K | |
| CKR23BX333K | 0223 | 0523 | 0823 | 1123 | 3223 | 3523 | 3823 | 4123 | 33,000 | K | |
| CKR23BX333M | 0224 | 0524 | 0824 | 1124 | 3224 | 3524 | 3824 | 4124 | 33,000 | M | |
| CKR23BX393K | 0225 | 0525 | 0825 | 1125 | 3225 | 3525 | 3825 | 4125 | 39,000 | K | |
| CKR23BX473K | 0226 | 0526 | 0826 | 1126 | 3226 | 3526 | 3826 | 4126 | 47,000 | K | |
| CKR23BX473M | 0227 | 0527 | 0827 | 1127 | 3227 | 3527 | 3827 | 4127 | 47,000 | M | |
| CKR23BX563K | 0228 | 0528 | 0828 | 1128 | 3228 | 3528 | 3828 | 4128 | 56,000 | K | |
| CKR23BX683K | 0229 | 0529 | 0829 | 1129 | 3229 | 3529 | 3829 | 4129 | 68,000 | K | |
| CKR23BX683M | 0230 | 0530 | 0830 | 1130 | 3230 | 3530 | 3830 | 4130 | 68,000 | M | |
| CKR23BX823K | 0231 | 0531 | 0831 | 1131 | 3231 | 3531 | 3831 | 4131 | 82,000 | K | |
| CKR23BX104K | 0232 | 0532 | 0832 | 1132 | 3232 | 3532 | 3832 | 4132 | 100,000 | K | |
| CKR23BX104M | 0233 | 0533 | 0833 | 1133 | 3233 | 3533 | 3833 | 4133 | 100,000 | M | |
| CKR23BX124K | 0234 | 0534 | 0834 | 1134 | 3234 | 3534 | 3834 | 4134 | 120,000 | K | |
| CKR23BX154K | 0235 | 0535 | 0835 | 1135 | 3235 | 3535 | 3835 | 4135 | 150,000 | K | |
| CKR23BX154M | 0236 | 0536 | 0836 | 1136 | 3236 | 3536 | 3836 | 4136 | 150,000 | M | |
| CKR23BX184K | 0237 | 0537 | 0837 | 1137 | 3237 | 3537 | 3837 | 4137 | 180,000 | K | |
| CKR23BX224K | 0238 | 0538 | 0838 | 1138 | 3238 | 3538 | 3838 | 4138 | 220,000 | K | |
| CKR23BX224M | 0239 | 0539 | 0839 | 1139 | 3239 | 3539 | 3839 | 4139 | 220,000 | M | |

— Add appropriate failure rate level letter (M, P, R or S)

MILITARY DASH NUMBER IDENTIFICATION CKR24 TO MIL-PRF-39014/22 (Dash Number From Table)

| Military Type Designation | Failure Rate Level (%/1,000 Hours) | | | | | | | | Capacitance (pF) | Capacitance Tolerance | WVDC |
|--|------------------------------------|---------|----------|-----------|-----------------------------|---------|----------|-----------|------------------|-----------------------|---------|
| | Standard Lead Length | | | | Optional Longer Lead Length | | | | | | |
| | 1.0 (M) | 0.1 (P) | 0.01 (R) | 0.001 (S) | 1.0 (M) | 0.1 (P) | 0.01 (R) | 0.001 (S) | | | |
| Style CKR24, Voltage-temperature limits of $\pm 15\%$ (+15%, -40% for Rated Voltage) | | | | | | | | | | | |
| CKR24BR124K_ | 0240 | 0540 | 0840 | 1140 | 3240 | 3540 | 3840 | 4140 | 120,000 | K | 100 |
| CKR24BR154K_ | 0241 | 0541 | 0841 | 1141 | 3241 | 3541 | 3841 | 4141 | 150,000 | K | 100 |
| CKR24BR154M_ | 0242 | 0542 | 0842 | 1142 | 3242 | 3542 | 3842 | 4142 | 150,000 | M | 100 |
| CKR24BR184K_ | 0243 | 0543 | 0843 | 1143 | 3243 | 3543 | 3843 | 4143 | 180,000 | K | 50 |
| CKR24BR224K_ | 0244 | 0544 | 0844 | 1144 | 3244 | 3544 | 3844 | 4144 | 220,000 | K | ↓ 50 |
| CKR24BR224M_ | 0245 | 0545 | 0845 | 1145 | 3245 | 3545 | 3845 | 4145 | 220,000 | M | |
| CKR24BR274K_ | 0246 | 0546 | 0846 | 1146 | 3246 | 3546 | 3846 | 4146 | 270,000 | K | |
| CKR24BR334K_ | 0247 | 0547 | 0847 | 1147 | 3247 | 3547 | 3847 | 4147 | 330,000 | K | |
| CKR24BR334M_ | 0248 | 0548 | 0848 | 1148 | 3248 | 3548 | 3848 | 4148 | 330,000 | M | |
| CKR24BR394K_ | 0249 | 0549 | 0849 | 1149 | 3249 | 3549 | 3849 | 4149 | 390,000 | K | |
| CKR24BR474K_ | 0250 | 0550 | 0850 | 1150 | 3250 | 3550 | 3850 | 4150 | 470,000 | K | |
| CKR24BR474M_ | 0251 | 0551 | 0851 | 1151 | 3251 | 3551 | 3851 | 4151 | 470,000 | M | |
| CKR24BR564K_ | 0252 | 0552 | 0852 | 1152 | 3252 | 3552 | 3852 | 4152 | 560,000 | K | |
| CKR24BR684K_ | 0253 | 0553 | 0853 | 1153 | 3253 | 3553 | 3853 | 4153 | 680,000 | K | |
| CKR24BR684M_ | 0254 | 0554 | 0854 | 1154 | 3254 | 3554 | 3854 | 4154 | 680,000 | M | |
| CKR24BR824K_ | 0255 | 0555 | 0855 | 1155 | 3255 | 3555 | 3855 | 4155 | 820,000 | K | |
| CKR24BR105K_ | 0256 | 0556 | 0856 | 1156 | 3256 | 3556 | 3856 | 4156 | 1,000,000 | K | |
| CKR24BR105M_ | 0257 | 0557 | 0857 | 1157 | 3257 | 3557 | 3857 | 4157 | 1,000,000 | M | |

└── Add appropriate failure rate level letter (M, P, R or S)

MARKING

