

FL MC 10/100BASE-T/FO G1300 SM

Order No.: 2708177



<http://eshop.phoenixcontact.de/phoenix/treeViewClick.do?UID=2708177>


FO converter, for converting 10/100 BASE-T(X) to singlemode glass fiber, (1300 nm), SC duplex FO connection, rail-mountable, supply 24 V DC



Ethernet



Commercial data

GTIN (EAN)	 4 017918 952723
sales group	H650
Pack	1 pcs.
Customs tariff	85176200
Catalog page information	Page 529 (IF-2009)

Product notes

WEEE/RoHS-compliant since:
01/31/2007



<http://www.download.phoenixcontact.com>
Please note that the data given here has been taken from the online catalog. For comprehensive information and data, please refer to the user documentation. The General Terms and Conditions of Use apply to Internet downloads.

Technical data

Serial interface

Interface 1	Ethernet interface, 10/100BASE-T(X) in acc. with IEEE 802.3u
Transmission length	100 m (twisted pair, shielded)
Connection method	RJ45 female connector, shielded

Auto-negotiation modes	Optionally transparent via TP and FO (default) or locally on TP
Link through	Link down is automatically forwarded to the second connection
MDI-/MDI-X switchover	Built-in switch for line (1:1) and crossover connection
Signal LEDs	Activity (yellow), Link status (green), 100 Mbps (green)
Serial transmission speed	10/100 Mbps

Optical interface FO

Wavelength	1300 nm
Transmission length incl. 3 dB system reserve	36 km (With F-E 9/125 0.36 dB/km)
	32 km (With F-E 9/125 0.4 dB/km)
	26 km (With F-E 9/125 0.5 dB/km)
Connection method	SC duplex

Power supply

Nominal supply voltage	24 V DC $\pm 20\%$ (via pluggable COMBICON screw terminal block)
	24 V DC $\pm 5\%$ (as an alternative or redundant, via backplane bus contact and system current supply)
Typical current consumption	≤ 95 mA (24 V DC)
Protective circuit	Protection against polarity reversal
Connection method	COMBICON plug-in screw terminal block

General data

Width	22.5 mm
Height	99 mm
Depth	114.5 mm
Ambient temperature (operation)	0 °C ... 55 °C
Electrical isolation	(VCC // Ethernet)
Test voltage data interface/power supply	1500 V
	1.5 kV _{rms} (50 Hz, 1 min.)
Electromagnetic compatibility	Conformance with EMC directive 89/336/EC
Noise emission	EN 50081-2
Noise immunity	EN 61000-6-2:2005
Degree of protection	IP20
Net weight	120 g
Housing material	PA V0, color green
Color	green

MTBF	321 Years (Telcordia standard, 25°C temperature, 21% operating cycle (5 days a week, 8 hours a day))
	78 Years (Telcordia standard, 40°C temperature, 34.25% operating cycle (5 days a week, 12 hours a day))
ATEX	Ex II 3 G Ex nAC IIC T4 X
UL, USA / Canada	cUL 508 Recognized

Certificates / Approvals



Certification

CUL, UL

Accessories

Item	Designation	Description
Cable/conductor		
2744830	FL CAT5 FLEX	CAT5-SF/UTP cable (J-LI02YS(ST)C H 2 x 2 x 26 AWG), light-duty, flexible installation cable 2 x 2 x 0.14 mm ² , stranded, shielded, outer sheath: 5.75 mm ± 0.15 mm diameter
2744814	FL CAT5 HEAVY	CAT5-SF/UTP cable (J-02YS(ST)C HP 2 x 2 x 24 AWG), heavy-duty installation cable, 2 x 2 x 0.22 mm ² , solid conductor, shielded, outer sheath: 7.8 mm diameter, inner sheath: 5.75 mm ± 0.15 mm diameter
2989190	FL SM PATCH 1,0 LC-SC	Assembled fiber optic cable, break-out cable, glass fiber single mode 9/125 µm, connector: LC/SC duplex, degree of protection: IP20, for installation in cable ducts or control cabinets, length: 1 meter
2901829	FL SM PATCH 1,0 SC-SC	Assembled FO cable, break out cable, single-mode glass fiber 9/125 µm, connector: SC Duplex / SC-Duplex, protection type: IP20, for installation in cable ducts or control cabinets, length: 1 meter
2901832	FL SM PATCH 1,0 SC-ST	Assembled FO cable, break out cable, single-mode glass fiber 9/125 µm, connector: SC Duplex / B-FOC (ST), protection type: IP20, for installation in cable ducts or control cabinets, length: 1 meter
2989297	FL SM PATCH 2,0 LC-SC	Assembled fiber optic cable, break-out cable, glass fiber single mode 9/125 µm, connector: LC/SC duplex, degree of protection: IP20, for installation in cable ducts or control cabinets, length: 2 meters

2901830	FL SM PATCH 2,0 SC-SC	Assembled FO cable, break out cable, single-mode glass fiber 9/125 µm, connector: SC Duplex / SC-Duplex, protection type: IP20, for installation in cable ducts or control cabinets, length: 2 meters
2901833	FL SM PATCH 2,0 SC-ST	Assembled FO cable, break out cable, single-mode glass fiber 9/125 µm, connector: SC Duplex / B-FOC (ST), protection type: IP20, for installation in cable ducts or control cabinets, length: 2 meters
2901827	FL SM PATCH 5,0 LC-SC	Assembled FO cable, break out cable, single-mode glass fiber 9/125 µm, connector: LC / SC Duplex, protection type: IP20, for installation in cable ducts or control cabinets, length: 5 meters
2901831	FL SM PATCH 5,0 SC-SC	Assembled FO cable, break out cable, single-mode glass fiber 9/125 µm, connector: SC Duplex / SC-Duplex protection type: IP20, for installation in cable ducts or control cabinets, length: 5 meters
2901834	FL SM PATCH 5,0 SC-ST	Assembled FO cable, break out cable, single-mode glass fiber 9/125 µm, connector: SC Duplex / B-FOC (ST), protection type: IP20, for installation in cable ducts or control cabinets, length: 5 meters

General

2707437	ME 22,5 TBUS 1,5/ 5-ST-3,81 GN	DIN rail connector for current transducers, gold-plated contacts, for DIN rail mounting, 5-pos.
2866983	MINI-SYS-PS-100-240AC/24DC/1.5	DIN rail power supply unit, primary-switched mode, slim design, output: 24 V DC / 1.5 A

Plug/Adapter

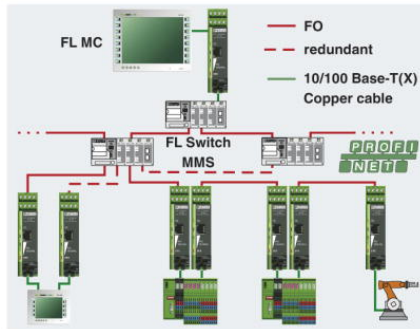
2744571	FL PLUG RJ45 GN/2	RJ45 connector, shielded, with bend protection sleeve, 2 pieces, green for crossed cables, for assembly on site. For connections that are crossed, it is recommended that the connector set with green bend protection sleeves is used.
2744856	FL PLUG RJ45 GR/2	RJ45 connector, shielded, with bend protection sleeve, 2 pieces, gray for straight cables, for assembly on site. For connections that are not crossed, it is recommended that you use the connector set with gray bend protection sleeve.

Tools

2744869	FL CRIMPTOOL	Crimping pliers, for assembling the RJ45 connectors FL PLUG RJ45..., for assembly on site
---------	--------------	---

Diagrams/Drawings

Functional drawing



Star, linear, and redundant ring structure in combination with modular switches

Address

PHOENIX CONTACT Inc., USA
586 Fulling Mill Road
Middletown, PA 17057, USA
Phone (800) 888-7388
Fax (717) 944-1625
<http://www.phoenixcon.com>



© 2011 Phoenix Contact
Technical modifications reserved;