

PSM-ME-RS485/RS485-P


Order No.: 2744429



<http://eshop.phoenixcontact.de/phoenix/treeViewClick.do?UID=2744429>


Repeater, for potential separation and range increase in RS-485 2-wire bus systems, 3-way isolation, rail-mountable



Commercial data	
GTIN (EAN)	
sales group	H611
Pack	1 pcs.
Customs tariff	85176200
Catalog page information	Page 493 (IF-2009)

Product notes

WEEE/RoHS-compliant since:
07/14/2006



<http://www.download.phoenixcontact.com>
Please note that the data given here has been taken from the online catalog. For comprehensive information and data, please refer to the user documentation. The General Terms and Conditions of Use apply to Internet downloads.

Technical data	
Serial interface	
Interface 1	RS-485 interface, in acc. with EIA/TIA-485, DIN 66259-4/RS-485 2-wire
Operating mode	Semi-duplex
File format/coding	UART (11/10 bit switchable; NRZ)

Data direction switching	Automatic control, min. station response time 1 bits
Termination resistor	220 Ω can be connected; pull up/down 390 Ω
Transmission medium	2-wire twisted pair, shielded
Transmission length	max. 1200 m (depends on transmission speed, bus system and cable type)
Cascadability	9 (4,8 - 93,75 kbps)
	7 (115.2 - 136 kbps)
Connection method	Pluggable screw connection
Conductor cross section stranded min.	0.2 mm ²
Conductor cross section stranded max.	2.5 mm ²
Conductor cross section AWG/kcmil min.	24
Conductor cross section AWG/kcmil max	14
Serial transmission speed	4.8/ 9.6/ 19.2/ 38.4/ 57.6/ 75/ 93.75/ 115.2/ 136/ 187.5/ 375/ 500/ 1500 kbps
Interface 2	RS-485 interface, in acc. with EIA/TIA-485, DIN 66259-4/RS-485 2-wire
Operating mode	Semi-duplex
File format/coding	UART (11/10 bit switchable; NRZ)
Data direction switching	Automatic control, min. station response time 1 bits
Transmission medium	2-wire twisted pair, shielded
Transmission length	1200 m (depends on transmission speed, bus system and cable type)
Cascadability	9 (4,8 - 93,75 kbps)
Conductor cross section stranded min.	0.2 mm ²
Conductor cross section stranded max.	2.5 mm ²
Conductor cross section AWG/kcmil min.	24
Conductor cross section AWG/kcmil max	14
Serial transmission speed	4.8/ 9.6/ 19.2/ 38.4/ 57.6/ 75/ 93.75/ 115.2/ 136/ 187.5/ 375/ 500/ 1500 kbps

Power supply

Nominal supply voltage	24 V AC/DC ±20 %
Typical current consumption	90 mA (24 V DC)

General data

Transmission channels	2 (1/1), TD, RD, half duplex
Bit delay	< 200 ns
Bit distortion	< 1.5 %

Bit distortion, input	Max. ± 35 %
Bit distortion, output	< 3.6 %
Width	22.5 mm
Height	99 mm
Depth	114.5 mm
Ambient temperature (storage/transport)	-20 °C ... 85 °C
Ambient temperature (operation)	0 °C ... 55 °C
Electrical isolation	(VCC // RS-485 (A) // RS-485 (B))
Test voltage data interfaces	2 kV AC
Test voltage data interface/power supply	2 kV AC
	2 kV
Electromagnetic compatibility	Conformance with EMC Directive 2004/108/EC
Noise emission	EN 50 081-1
Noise immunity	EN 61000-6-2:2005
Net weight	130 g
Housing material	PA
Color	green
MTBF	1849 Years (Telcordia standard, 25°C temperature, 21% operating cycle (5 days a week, 8 hours a day))
	385 Years (Telcordia standard, 40°C temperature, 34.25% operating cycle (5 days a week, 12 hours a day))
UL, USA / Canada	Class I, Div. 2, Groups A, B, C, D

Certificates / Approvals



Certification CUL, DNV, GOST, UL

Certification Ex: CUL-EX, UL-EX

Accessories

Item	Designation	Description
------	-------------	-------------

Assembly

2853899	ME-SAS	Shield connection clamp for printed circuit terminal block
---------	--------	--

General

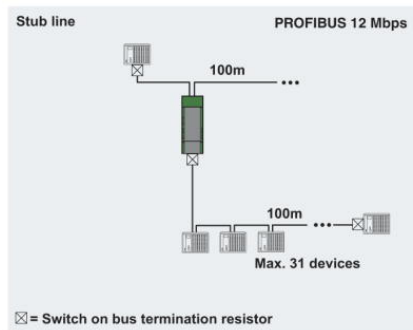
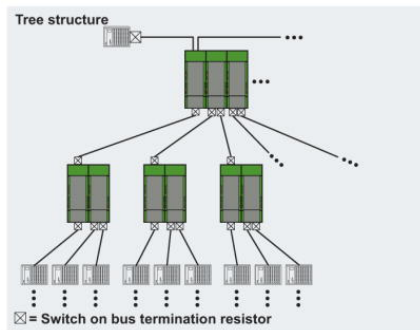
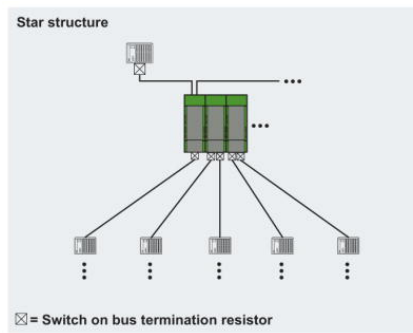
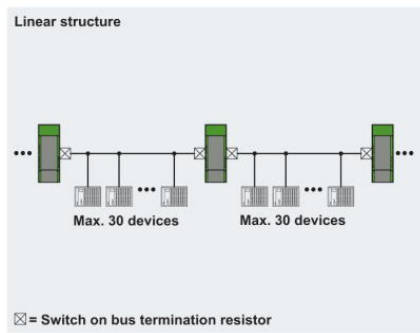
2313944	PSI-TERMINATOR-PB	Active termination resistor with redundant voltage supply for PROFIBUS and RS-485 bus systems. Compact design. Electrical isolation between supply and data interface. Bus termination can be switched. Integrated programming interface.
---------	-------------------	---

Tools

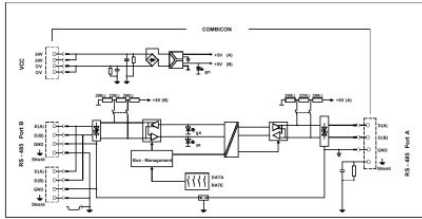
1204517	SZF 1-0,6X3,5	Actuation tool, for ST terminal blocks, also suitable for use as a bladed screwdriver, size: 0.6 x 3.5 x 100 mm, 2-component grip, with non-slip grip
---------	---------------	---

Diagrams/Drawings

Application drawing



Circuit diagram



Address

PHOENIX CONTACT Inc., USA
586 Fulling Mill Road
Middletown, PA 17057, USA
Phone (800) 888-7388
Fax (717) 944-1625
<http://www.phoenixcon.com>



© 2011 Phoenix Contact
Technical modifications reserved;