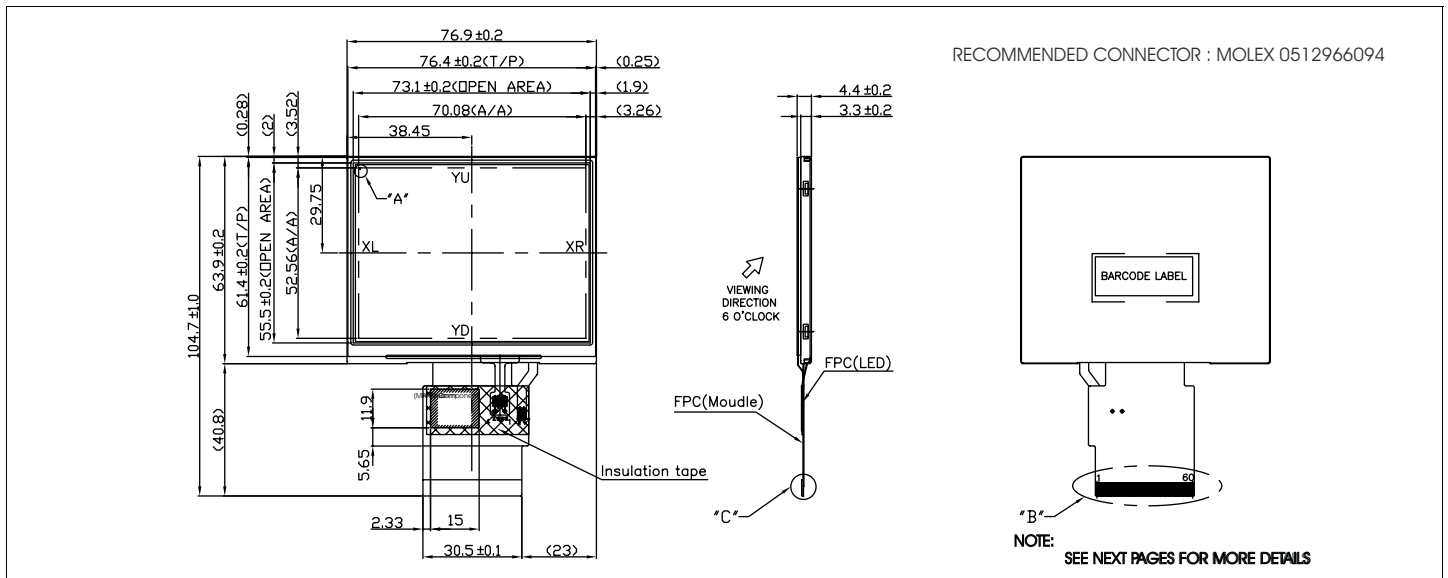


# HDA351T-LV

## Dimensional Drawing

3.5", QVGA (TFT) Color Graphics , Landscape , White LED Backlight



### Features

Viewing Angle(horizontal)..... 140 degrees  
 High Contrast.....350  
 Fast Response Time.....50 msec  
 Built-in Controller.....none  
 Touch Screen.....four wire, analog

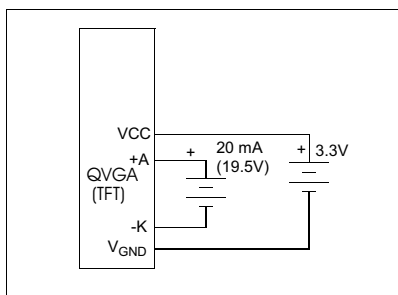
### Physical Data

Module Size.....76.9W x63.9H x4.4T mm  
 Active Area Size.....70.08W x52.56 H mm  
 Dot Pitch.....0.073W x 0.219H mm  
 Weight.....41.5g

### Electrical Characteristics (V<sub>DD</sub>=3.3±0.125V 25°C)

PARAMETER	SYM	CONDITION	MIN	TYP	MAX	UNIT
OPERATING VOLTAGE	V <sub>CC</sub>	-	2.5	3.3	3.6	V
OPERATING VOLTAGE	V <sub>LED</sub>	I = 20 mA	-	19.5	-	V
INPUT HIGH VOLTAGE	V <sub>IH</sub>	-	0.8*V <sub>DD</sub>	-	V <sub>DD</sub>	V
INPUT LOW VOLTAGE	V <sub>IL</sub>	-	0	-	0.2*V <sub>DD</sub>	V
OPERATING CURRENT	I <sub>CC</sub>	V <sub>CC</sub> = 3.3 V	-	15.6	22.0	mA
OPERATING CURRENT LED	I <sub>LED</sub>	-	-	20	-	mA
POWER CONSUMPTION	P <sub>CC</sub>	-	-	442	-	mW
BRIGHTNESS	L	Average	260	285	-	Cd/m <sup>2</sup>

### Power Supply



### Absolute Maximum Ratings

PARAMETER	SYMBOL	MIN	MAX	UNIT
SUPPLY VOLTAGE	V <sub>CC</sub>	-0.3	6.0	V
BACKLIGHT CURRENT(White LED)	I <sub>LED</sub>	-	30	mA
INPUT VOLTAGE	V <sub>I</sub>	-0.3	V <sub>DD</sub> + 0.3	V
OPERATING TEMPERATURE	T <sub>OP</sub>	-20	+70	°C
STORAGE TEMPERATURE	T <sub>STG</sub>	-30	+80	°C

### Pin Connections

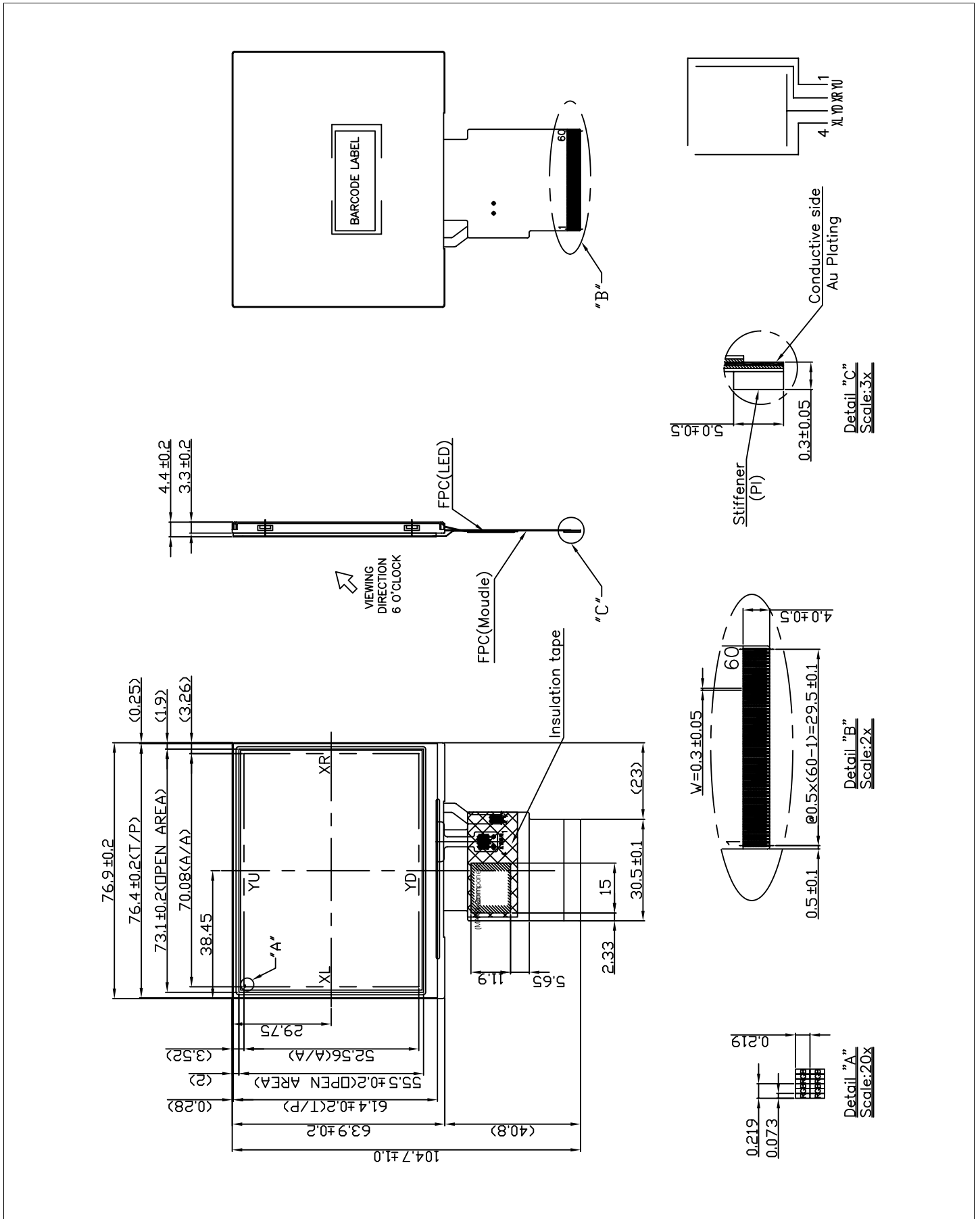
PIN NO.	SYMBOL	FUNCTION
1	LED-K	Backlight LED (-)
2	LED-K	Backlight LED (-)
3	LED-A	Backlight LED (+)
4	LED-A	Backlight LED (+)
5	GND	Ground
6	X1	X Right
7	Y1	Y Bottom
8	X2	X Left
9	Y2	Y Up
10	GND	Ground
11	NC	No Connection
12	NC	No Connection
13	NC	No Connection
14	RESET	Reset Input
15	CSB	Chip Select
16	SCL	Serial Clock
17	SDI	Serial Data
18-25	D20-D27	Blue Data Inputs
26-33	D10-D17	Green Data Inputs
34-41	D00-D07	Red Data Inputs
42	HSYNC	Horizontal Sync Input
43	VSYNC	Vertical Sync Input
44	DOTCLK	Data Clock Input
45	NC	No Connection
46	NC	No Connection
47	VCC	Power (+3.3V)
48	VCC	Power (+3.3V)
49-58	NC	No Connection
59	GND	Ground Pin
60	GND	Ground Pin



# HDA351T-LV

Dimensional Drawing

3.5" , QVGA (TFT) Color Graphics , Landscape , White LED Backlight



**HANTRONIX**