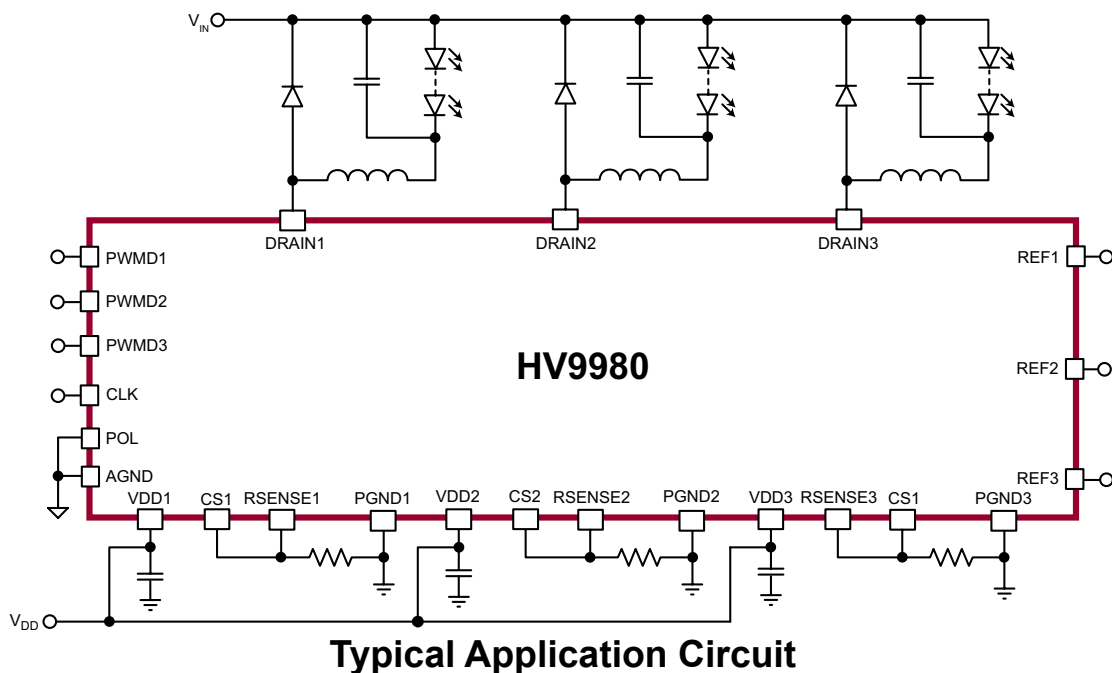


## Product Summary Sheet

### 3-Channel LED Array Driver IC

#### Applications:

- ▶ LCD panel backlighting
- ▶ DLP TV controller
- ▶ RGB decorative lighting



24-Lead SOW (WG)

#### Product Overview:

The HV9980 is a fully integrated, 3-channel, peak-current PWM controller for driving buck converters in constant output current mode. It is optimized for use with a large array of LED strings, where multiple HV9980 ICs share a common clock and the voltage reference is external to the HV9980 for improved output current accuracy and uniform illumination.

The HV9980 has three built-in 160V, 25Ω switching MOSFETs that save board space and overall system cost. The three output currents can be individually dimmed using either linear or PWM dimming. In addition, the fast transient response of the IC's current mode control supports local dimming and scanning mode capability, ideal for backlighting large screen LCD TVs. Each CS input is also equipped with a reset switch that can be used for an optional external slope compensation circuit to achieve a duty cycle greater than 50%. The output signal polarity select pin (POL) is included for inverse polarity of the output signal.

Additional features of the HV9980 include output short-circuit and over-temperature protection. The HV9980 delivers excellent performance while providing the most cost-effective solution for LED-backlit systems.

Features:	Benefits:
Three integrated 160V, 25Ω (typ.) MOSFETs	Highly integrated LED driving solution
Leading edge blanking	Prevents false triggering of current sense comparators
Peak current mode control	Simple control mode and fast transient response
Dedicated PWM dimming inputs	For precise dimming of individual LED strings
Short-circuit and over-temperature protection	Prevents destructive failures



**Supertex inc.**

## 3-Channel LED Array Driver IC

### Ordering Information / Availability

<u>Part Number</u>	<u>Package Option</u>	<u>Samples</u>	<u>Lead Time</u>
HV9980WG-G	24-Lead SOW (Wide Body) (Green)	Now	2-4 Weeks ARO

-G indicates the part is RoHS compliant (Green).



### Product Contact

For any questions regarding the HV9980 please contact your local area Supertex sales office, or contact the main office in the US at:

Telephone: 800-222-8888  
 Fax: 408-222-4895  
 EMail: [mktg@supertex.com](mailto:mktg@supertex.com)  
 Website: [www.supertex.com](http://www.supertex.com)

***Supertex inc.***

1235 Bordeaux Drive, Sunnyvale, CA 94089