

Aluminum Capacitors Axial Long-Life, DIN-Based

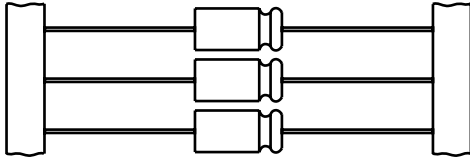
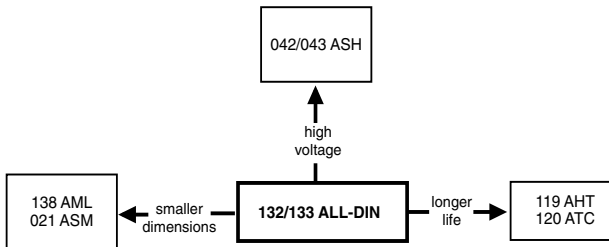


Fig.1 Component outlines



RoHS
COMPLIANT

FEATURES

- Polarized aluminum electrolytic capacitors, non-solid electrolyte
- Axial leads, cylindrical aluminum case, insulated with a blue sleeve
- Mounting ring version not available in insulated form
- Taped versions up to case Ø 15 mm x 30 mm available for automatic insertion
- Charge and discharge proof
- Long useful life: up to 10 000 hours to 15 000 hours at 85 °C, high reliability
- Compliant to RoHS directive 2002/95/EC

APPLICATIONS

- General industrial, power supplies, telecommunication, EDP
- Coupling, decoupling, timing; smoothing, filtering and buffering in SMPS
- For use where low mounting height is important
- Vibration and shock resistant

MARKING

The capacitors are marked (where possible) with the following information:

- Rated capacitance (in µF)
- Tolerance on rated capacitance, code letter in accordance with IEC 60062 (T for - 10 to + 50 %)
- Rated voltage (in V)
- Upper category temperature (85 °C)
- Date code, in accordance with IEC 60062
- Code for factory of origin
- Name of manufacturer
- Band to indicate the negative terminal
- '+' sign to identify the positive terminal
- Series number (132 or 133)

| QUICK REFERENCE DATA | | | |
|--|----------------------|---------------------|--------------------|
| DESCRIPTION | VALUE | | |
| Nominal case sizes (Ø D x L in mm) | 6.5 x 18 and 8 x 18 | 10 x 18 and 10 x 25 | 10 x 30 to 21 x 38 |
| Rated capacitance range, C _R | 1 µF to 4700 µF | | |
| Tolerance on C _R | - 10 % to + 50 % | | |
| Rated voltage range, U _R | 10 V to 250 V | | |
| Category temperature range | - 40 °C to + 85 °C | | |
| Endurance test at 105 °C | 2000 hours | 2000 hours | - |
| Endurance test at 85 °C | 6000 hours | 8000 hours | 8000 hours |
| Useful life at 105 °C | 3000 hours | 3000 hours | - |
| Useful life at 85 °C | 10 000 hours | 15 000 hours | 15 000 hours |
| Useful life at 40 °C, 1.8 x I _R applied | 160 000 hours | 240 000 hours | 240 000 hours |
| Shelf life at 0 V, 85 °C | 500 hours | | |
| Based on sectional specification | IEC 60384-4/EN130300 | | |
| Climatic category IEC 60068 | 40/085/56 | | |

| SELECTION CHART FOR C _R , U _R AND RELEVANT NOMINAL CASE SIZES (Ø D x L in mm) | | | | | | | | | |
|---|--------------------|----|----------|----|----------|----------|------------------------|--------------------------|--------------------------|
| C _R (µF) | U _R (V) | | | | | | | | |
| | 10 | 16 | 25 | 40 | 63 | 100 | 160 | 250 | |
| 1.0 | - | - | - | - | - | 6.5 x 18 | - | - | - |
| 2.2 | - | - | - | - | - | 6.5 x 18 | 6.5 x 18 | 8 x 18 | 8 x 18 |
| 4.7 | - | - | - | - | 6.5 x 18 | 6.5 x 18 | 8 x 18 | 10 x 18 | 10 x 18 |
| 10 | - | - | - | - | 6.5 x 18 | 8 x 18 | 10 x 18 | 10 x 25 | 10 x 25 |
| | - | - | - | - | - | - | - | 10 x 30 ⁽¹⁾ | 10 x 30 ⁽¹⁾ |
| 22 | - | - | 6.5 x 18 | - | 8 x 18 | 10 x 18 | 10 x 25 | 12.5 x 30 ⁽¹⁾ | 12.5 x 30 ⁽¹⁾ |
| | - | - | - | - | - | - | 10 x 30 ⁽¹⁾ | - | - |

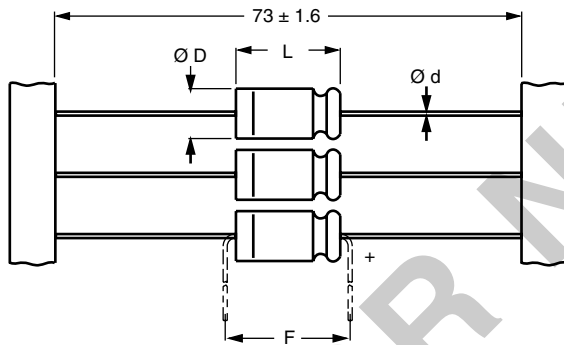
Note

⁽¹⁾ For these CV-values see datasheet 041 - 043 ASH.

| SELECTION CHART FOR C_R , U_R AND RELEVANT NOMINAL CASE SIZES ($\varnothing D \times L$ in mm) | | | | | | | | |
|---|-----------|----------|-----------|-----------|---------|---------|------------------------|------------------------|
| C_R (μF) | U_R (V) | | | | | | | |
| | 10 | 16 | 25 | 40 | 63 | 100 | 160 | 250 |
| 47 | - | 6.5 x 18 | - | 8 x 18 | 10 x 18 | 10 x 25 | 15 x 30 ⁽¹⁾ | 18 x 30 ⁽¹⁾ |
| 68 | - | - | - | - | - | 10 x 30 | 12.5 x 30 | 15 x 30 ⁽¹⁾ |
| 100 | - | 8 x 18 | - | 10 x 18 | 10 x 30 | 15 x 30 | 18 x 30 ⁽¹⁾ | 21 x 38 ⁽¹⁾ |
| 150 | - | - | - | 12.5 x 30 | 15 x 30 | 18 x 30 | 18 x 38 ⁽¹⁾ | - |
| 220 | 8 x 18 | 10 x 18 | 10 x 25 | 12.5 x 30 | 15 x 30 | 18 x 38 | 21 x 38 ⁽¹⁾ | - |
| 330 | - | 10 x 25 | 12.5 x 30 | 15 x 30 | 18 x 30 | 18 x 38 | - | - |
| 470 | 12.5 x 30 | 10 x 25 | 12.5 x 30 | 15 x 30 | 18 x 38 | 21 x 38 | - | - |
| 680 | 12.5 x 30 | 15 x 30 | 18 x 30 | 18 x 30 | 21 x 38 | - | - | - |
| 1000 | 15 x 30 | 15 x 30 | 18 x 30 | 18 x 38 | 21 x 38 | - | - | - |
| 1500 | 18 x 30 | 18 x 30 | 18 x 38 | 21 x 38 | - | - | - | - |
| 2200 | 18 x 30 | 18 x 38 | 21 x 38 | 21 x 38 | - | - | - | - |
| 3300 | 18 x 38 | 21 x 38 | - | - | - | - | - | - |
| 4700 | 21 x 38 | 21 x 38 | - | - | - | - | - | - |

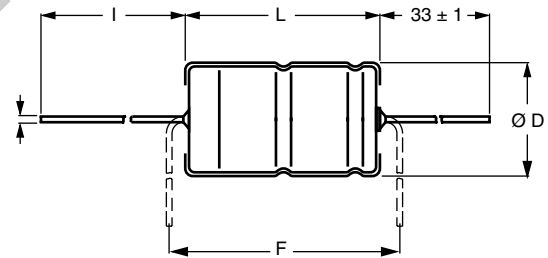
Note

(1) For these CV-values see datasheet 041 - 043 ASH.

DIMENSIONS IN MILLIMETERS AND AVAILABLE FORMS


Form BR: Taped on reel
 case $\varnothing D \times L = 6.5 \text{ mm} \times 18 \text{ mm}$ to $15 \text{ mm} \times 30 \text{ mm}$
Form BA: Taped in box (ammopack)
 case $\varnothing D \times L = 6.5 \text{ mm} \times 18 \text{ mm}$ to $10 \text{ mm} \times 25 \text{ mm}$

Fig.3 Forms BA and BR



Form AA: Axial in box
 case $\varnothing D \times L = 10 \text{ mm} \times 30 \text{ mm}$ to $21 \text{ mm} \times 38 \text{ mm}$

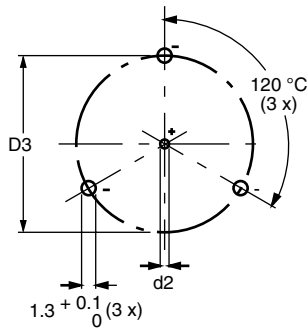
Fig.3 Form AA

Table 1

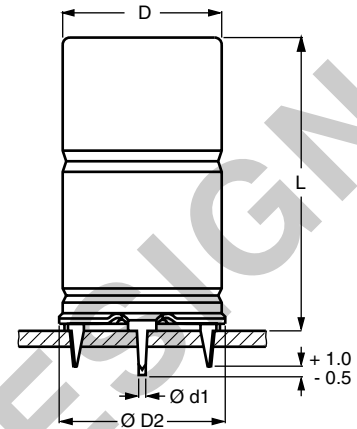
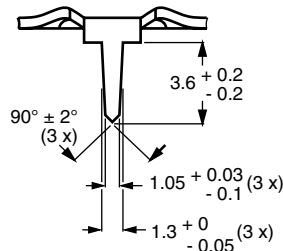
| AXIAL; DIMENSIONS in millimeters, MASS AND PACKAGING QUANTITIES | | | | | | | | | | |
|---|-----------|---------------------------|--------|------------------------|------------|------------|----------|----------------------|---------|---------|
| NOMINAL CASE SIZE $\varnothing D \times L$ | CASE CODE | AXIAL FORM AA, BA, and BR | | | | | MASS (g) | PACKAGING QUANTITIES | | |
| | | $\varnothing d$ | l | $\varnothing D_{max.}$ | $L_{max.}$ | $F_{min.}$ | | FORM AA | FORM BA | FORM BR |
| 6.5 x 18 | 4 | 0.8 | - | 6.9 | 18.5 | 25 | ≈ 1.3 | - | 1000 | 1000 |
| 8 x 18 | 5 | 0.8 | - | 8.5 | 18.5 | 25 | ≈ 1.7 | - | 500 | 500 |
| 10 x 18 | 6 | 0.8 | - | 10.5 | 18.5 | 25 | ≈ 2.5 | - | 500 | 500 |
| 10 x 25 | 7 | 0.8 | - | 10.5 | 25.5 | 30 | ≈ 3.3 | - | 500 | 500 |
| 10 x 30 | 00 | 0.8 | 55 ± 1 | 10.5 | 30.5 | 35 | ≈ 4.8 | 340 | - | 500 |
| 12.5 x 30 | 01 | 0.8 | 55 ± 1 | 13.0 | 30.5 | 35 | ≈ 7.4 | 260 | - | 400 |
| 15 x 30 | 02 | 0.8 | 55 ± 1 | 15.5 | 30.5 | 35 | ≈ 11.7 | 200 | - | 250 |
| 18 x 30 | 03 | 0.8 | 55 ± 1 | 18.5 | 30.5 | 35 | ≈ 12.9 | 120 | - | - |
| 18 x 38 | 04 | 0.8 | 34 ± 1 | 18.5 | 39.5 | 44 | ≈ 19.0 | 125 | - | - |
| 21 x 38 | 05 | 0.8 | 34 ± 1 | 21.5 | 39.5 | 44 | ≈ 24.0 | 100 | - | - |

Note

• Detailed tape dimensions see section 'PACKAGING'.



Mounting holes



Case $\varnothing D \times L = 15 \text{ mm} \times 30 \text{ mm}$ to $21 \text{ mm} \times 38 \text{ mm}$

Case not insulated (insulation on request)

Especially for applications with severe shocks and vibrations

Fig.5 Mounting hole diagram and outline; **Form MR:** With mounting ring and pins

Table 2

| MOUNTING RING; DIMENSIONS in millimeters, MASS AND PACKAGING QUANTITIES | | | | | | | | | |
|---|-----------|------------------------|------------------|------------------------|-------------------------|------------|-------------------|----------|----------------------|
| NOMINAL CASE SIZE $\varnothing D \times L$ | CASE CODE | MOUNTING RING: FORM MR | | | | | | MASS (g) | PACKAGING QUANTITIES |
| | | $\varnothing d1$ | $\varnothing d2$ | $\varnothing D_{max.}$ | $\varnothing D2_{max.}$ | D3 | L _{max.} | | |
| 15 x 30 | 02 | 0.8 | 1.0 + 0.4 | 15.5 | 17.5 | 16.5 ± 0.2 | 33 | ≈ 11.7 | 200 |
| 18 x 30 | 03 | 0.8 | 1.0 + 0.4 | 18.5 | 19.5 | 18.5 ± 0.2 | 33 | ≈ 12.9 | 240 |
| 18 x 38 | 04 | 0.8 | 1.0 + 0.4 | 18.5 | 19.5 | 18.5 ± 0.2 | 42 | ≈ 19.0 | 100 |
| 21 x 38 | 05 | 0.8 | 1.0 + 0.4 | 21.5 | 22.5 | 21.5 ± 0.2 | 42 | ≈ 24.0 | 100 |

| ELECTRICAL DATA | |
|-----------------|--|
| SYMBOL | DESCRIPTION |
| C_R | rated capacitance at 100 Hz, tolerance - 10 %/+ 50 % |
| I_R | rated RMS ripple current at 100 Hz, 85 °C |
| I_{L5} | max. leakage current after 5 minutes at U_R |
| $\tan \delta$ | max. dissipation factor at 100 Hz |
| ESR | equivalent series resistance at 100 Hz (calculated from $\tan \delta_{max.}$ and C_R) |
| Z | max. impedance at 10 kHz |

Note

Unless otherwise specified, all electrical values in Table 3 apply at $T_{amb} = 20 \text{ °C}$, $P = 86 \text{ kPa}$ to 106 kPa , $RH = 45 \text{ \%}$ to 75 \% .

ORDERING EXAMPLE

Electrolytic capacitor 132 series

100 $\mu\text{F}/40 \text{ V}$; - 10 %/+ 50 %

Nominal case size: $\varnothing 10 \text{ mm} \times 18 \text{ mm}$; Form BR

Ordering code: MAL213227101E3

Former 12NC: 2222 132 27101



Table 3

| ELECTRICAL DATA AND ORDERING INFORMATION | | | | | | | | | | | | | |
|--|----------------------------------|---|---|----------------------------------|-----------------|----------------------|--------------------|---------------------|-------------------------|-----------------------------|----------------------------|-----------------------------|---|
| U _R (V) | C _R 100 Hz (μF) | NOMINAL CASE SIZE Ø D x L (mm) | I _R 100 Hz 85 °C (mA) | I _{L5} 5 min (μA) | tan δ 100 Hz | ESR 100 Hz (Ω) | Z 10 kHz (Ω) | Z 100 kHz (Ω) | ORDERING CODE MAL2..... | | | | |
| | | | | | | | | | IN BOX FORM AA | TAPED ON REEL FORM BR | TAPED IN BOX FORM BA | MOUNTING RING FORM MR | |
| 10 | 220 | 8 x 18 | 190 | 8.4 | 0.18 | 1.3 | 0.73 | 0.70 | - | 13224221E3 | 13234221E3 | - | - |
| | 470 | 12.5 x 30 | 350 | 9.4 | 0.18 | 0.61 | 0.26 | 0.60 | 13214471E3 | 13224471E3 | - | - | |
| | 680 | 12.5 x 30 | 460 | 13.6 | 0.18 | 0.42 | 0.20 | 0.40 | 13214681E3 | 13224681E3 | - | - | |
| | 1000 | 15 x 30 | 640 | 20 | 0.18 | 0.28 | 0.12 | - | 13214102E3 | 13224102E3 | - | 13244102E3 | |
| | 1500 | 18 x 30 | 800 | 30 | 0.22 | 0.23 | 0.10 | - | 13214152E3 | - | - | 13244152E3 | |
| | 2200 | 18 x 30 | 1100 | 44 | 0.22 | 0.16 | 0.09 | - | 13214222E3 | - | - | 13244222E3 | |
| | 3300 | 18 x 38 | 1300 | 66 | 0.27 | 0.13 | 0.05 | - | 13214332E3 | - | - | 13244332E3 | |
| | 4700 | 21 x 38 | 1800 | 94 | 0.27 | 0.09 | 0.05 | - | 13214472E3 | - | - | 13244472E3 | |
| 16 | 47 | 6.5 x 18 | 95 | 5.5 | 0.14 | 4.7 | 2.6 | 2.2 | - | 13225479E3 | 13235479E3 | - | - |
| | 100 | 8 x 18 | 150 | 7.2 | 0.14 | 2.2 | 1.2 | 1.1 | - | 13225101E3 | 13235101E3 | - | - |
| | 220 | 10 x 18 | 250 | 11 | 0.14 | 1.0 | 0.55 | 0.55 | - | 13225221E3 | 13235221E3 | - | - |
| | 330 | 10 x 25 | 320 | 14.6 | 0.14 | 0.67 | 0.36 | 0.36 | - | 13290508E3 | 13290509E3 | - | - |
| | 330 | 12.5 x 30 | 320 | 10.6 | 0.14 | 0.67 | 0.36 | 0.60 | 13215331E3 | 13225331E3 | - | - | |
| | 470 | 10 x 25 | 450 | 19 | 0.14 | 0.47 | 0.26 | 0.26 | - | 13290507E3 | 13290502E3 | - | - |
| | 470 | 12.5 x 30 | 450 | 15 | 0.14 | 0.47 | 0.26 | 0.40 | 13215471E3 | 13225471E3 | - | - | |
| | 680 | 15 x 30 | 550 | 22 | 0.14 | 0.33 | 0.14 | - | 13215681E3 | 13225681E3 | - | 13245681E3 | |
| | 1000 | 15 x 30 | 780 | 32 | 0.14 | 0.22 | 0.12 | - | 13215102E3 | 13225102E3 | - | 13245102E3 | |
| | 1500 | 18 x 30 | 950 | 48 | 0.15 | 0.16 | 0.10 | - | 13215152E3 | - | - | 13245152E3 | |
| | 2200 | 18 x 38 | 1300 | 70 | 0.15 | 0.11 | 0.06 | - | 13215222E3 | - | - | 13245222E3 | |
| | 3300 | 21 x 38 | 1600 | 110 | 0.15 | 0.07 | 0.05 | - | 13215332E3 | - | - | 13245332E3 | |
| 4700 | 21 x 38 | 2300 | 150 | 0.15 | 0.05 | 0.05 | - | 13215472E3 | - | - | 13245472E3 | | |
| 25 | 22 | 6.5 x 18 | 60 | 5.1 | 0.11 | 8.0 | 4.1 | 2.9 | - | 13226229E3 | 13236229E3 | - | - |
| | 220 | 10 x 25 | 340 | 15 | 0.11 | 0.8 | 0.40 | 0.40 | - | 13290503E3 | 13290504E3 | - | - |
| | 220 | 12.5 x 30 | 340 | 11 | 0.11 | 0.8 | 0.40 | 0.60 | 13216221E3 | 13226221E3 | - | - | |
| | 330 | 12.5 x 30 | 410 | 16.5 | 0.11 | 0.53 | 0.30 | 0.40 | 13216331E3 | 13226331E3 | - | - | |
| | 470 | 12.5 x 30 | 560 | 24 | 0.11 | 0.37 | 0.20 | - | 13216471E3 | 13226471E3 | - | - | |
| | 680 | 18 x 30 | 700 | 34 | 0.11 | 0.26 | 0.10 | - | 13216681E3 | - | - | 13246681E3 | |
| | 1000 | 18 x 30 | 1000 | 50 | 0.11 | 0.17 | 0.10 | - | 13216102E3 | - | - | 13246102E3 | |
| | 1500 | 18 x 38 | 1100 | 75 | 0.12 | 0.13 | 0.06 | - | 13216152E3 | - | - | 13246152E3 | |
| 2200 | 21 x 38 | 1850 | 110 | 0.13 | 0.09 | 0.05 | - | 13216222E3 | - | - | 13246222E3 | | |
| 40 | 47 | 8 x 18 | 120 | 7.8 | 0.09 | 3.0 | 1.6 | 1.4 | - | 13227479E3 | 13237479E3 | - | - |
| | 100 | 10 x 18 | 210 | 12 | 0.09 | 1.4 | 0.75 | 0.75 | - | 13227101E3 | 13237101E3 | - | - |
| | 150 | 10 x 25 | 310 | 16 | 0.09 | 0.95 | 0.50 | 0.50 | - | 13290511E3 | 13290512E3 | - | - |
| | 150 | 12.5 x 30 | 310 | 12 | 0.09 | 0.95 | 0.50 | 0.60 | 13217151E3 | 13227151E3 | - | - | |
| | 220 | 12.5 x 30 | 410 | 17.5 | 0.09 | 0.65 | 0.34 | 0.40 | 13217221E3 | 13227221E3 | - | - | |
| | 330 | 15 x 30 | 550 | 26 | 0.09 | 0.43 | 0.20 | - | 13217331E3 | 13227331E3 | - | 13247331E3 | |
| | 470 | 15 x 30 | 700 | 38 | 0.09 | 0.30 | 0.16 | - | 13217471E3 | 13227471E3 | - | 13247471E3 | |
| | 680 | 18 x 30 | 900 | 54 | 0.09 | 0.21 | 0.10 | - | 13217681E3 | - | - | 13247681E3 | |
| | 1000 | 18 x 38 | 1200 | 80 | 0.09 | 0.14 | 0.08 | - | 13217102E3 | - | - | 13247102E3 | |
| | 1500 | 21 x 38 | 1500 | 120 | 0.10 | 0.10 | 0.06 | - | 13217152E3 | - | - | 13247152E3 | |
| 2200 | 21 x 38 | 1900 | 180 | 0.10 | 0.07 | 0.05 | - | 13217222E3 | - | - | 13247222E3 | | |
| 63 | 4.7 | 6.5 x 18 | 38 | 4.6 | 0.07 | 24 | 12 | 5 | - | 13228478E3 | 13238478E3 | - | - |
| | 10 | 6.5 x 18 | 64 | 5.3 | 0.07 | 11 | 5.5 | 3.3 | - | 13228109E3 | 13238109E3 | - | - |
| | 22 | 8 x 18 | 100 | 6.8 | 0.07 | 5.1 | 2.5 | 2.1 | - | 13228229E3 | 13238229E3 | - | - |
| | 47 | 10 x 18 | 170 | 9.9 | 0.07 | 2.4 | 1.2 | 1.2 | - | 13228479E3 | 13238479E3 | - | - |
| | 68 | 10 x 25 | 210 | 12.6 | 0.07 | 1.6 | 0.81 | 0.60 | - | 13290513E3 | 13290514E3 | - | - |
| | 68 | 10 x 30 | 210 | 8.6 | 0.07 | 1.6 | 0.80 | 0.60 | 13218689E3 | 13228689E3 | - | - | |
| | 100 | 10 x 30 | 300 | 12.6 | 0.07 | 1.1 | 0.60 | 0.40 | 13218101E3 | 13228101E3 | - | - | |
| | 150 | 15 x 30 | 350 | 19 | 0.07 | 0.74 | 0.37 | - | 13218151E3 | 13228151E3 | - | 13248151E3 | |
| | 220 | 15 x 30 | 520 | 28 | 0.07 | 0.50 | 0.25 | - | 13218221E3 | 13228221E3 | - | 13248221E3 | |
| | 330 | 18 x 30 | 600 | 42 | 0.07 | 0.34 | 0.15 | - | 13218331E3 | - | - | 13248331E3 | |
| | 470 | 18 x 38 | 970 | 59 | 0.07 | 0.24 | 0.12 | - | 13218471E3 | - | - | 13248471E3 | |
| | 680 | 21 x 38 | 1000 | 86 | 0.07 | 0.16 | 0.08 | - | 13218681E3 | - | - | 13248681E3 | |
| 1000 | 21 x 38 | 1600 | 130 | 0.07 | 0.11 | 0.06 | - | 13218102E3 | - | - | 13248102E3 | | |

| ELECTRICAL DATA AND ORDERING INFORMATION | | | | | | | | | | | | | |
|--|----------------------------------|---|---|----------------------------------|-----------------|----------------------|--------------------|---------------------|-------------------------|-----------------------------|----------------------------|-----------------------------|------------|
| U _R (V) | C _R 100 Hz (μF) | NOMINAL CASE SIZE Ø D x L (mm) | I _R 100 Hz 85 °C (mA) | I _{L5} 5 min (μA) | tan δ 100 Hz | ESR 100 Hz (Ω) | Z 10 kHz (Ω) | Z 100 kHz (Ω) | ORDERING CODE MAL2..... | | | | |
| | | | | | | | | | IN BOX FORM AA | TAPED ON REEL FORM BR | TAPED IN BOX FORM BA | MOUNTING RING FORM MR | |
| 100 | 1 | 6.5 x 18 | 20 | 4.0 | 0.06 | 95 | 45 | 6 | - | 13229108E3 | 13239108E3 | - | - |
| | 2.2 | 6.5 x 18 | 30 | 4.4 | 0.06 | 43 | 20 | 5 | - | 13229228E3 | 13239228E3 | - | - |
| | 4.7 | 6.5 x 18 | 48 | 4.9 | 0.06 | 20 | 9.6 | 4 | - | 13229478E3 | 13239478E3 | - | - |
| | 10 | 8 x 18 | 73 | 6 | 0.06 | 9.5 | 4.5 | 2.8 | - | 13229109E3 | 13239109E3 | - | - |
| | 22 | 10 x 18 | 130 | 8.4 | 0.06 | 4.3 | 2 | 1.3 | - | 13229229E3 | 13239229E3 | - | - |
| | 47 | 10 x 25 | 220 | 13.4 | 0.06 | 2.0 | 1 | 0.90 | - | 13290505E3 | 13290506E3 | - | - |
| | 47 | 10 x 30 | 220 | 9.4 | 0.06 | 2.0 | 1 | 0.90 | 13219479E3 | 13229479E3 | - | - | - |
| | 68 | 12.5 x 30 | 250 | 13.5 | 0.06 | 1.4 | 0.80 | - | 13219689E3 | 13229689E3 | - | - | - |
| | 100 | 15 x 30 | 380 | 20 | 0.06 | 0.95 | 0.50 | - | 13219101E3 | 13229101E3 | - | - | 13249101E3 |
| | 150 | 18 x 30 | 400 | 30 | 0.06 | 0.64 | 0.35 | - | 13219151E3 | - | - | - | 13249151E3 |
| | 220 | 18 x 38 | 660 | 44 | 0.06 | 0.43 | 0.20 | - | 13219221E3 | - | - | - | 13249221E3 |
| | 330 | 18 x 38 | 700 | 66 | 0.06 | 0.29 | 0.15 | - | 13219331E3 | - | - | - | 13249331E3 |
| 470 | 21 x 38 | 1200 | 94 | 0.06 | 0.20 | 0.10 | - | 13219471E3 | - | - | - | 13249471E3 | |
| 160 | 2.2 | 6.5 x 18 | 22 | 20 | 0.10 | 72 | 55 | 30 | - | 13321228E3 | 13331228E3 | - | - |
| | 4.7 | 8 x 18 | 37 | 20 | 0.10 | 34 | 26 | 20 | - | 13321478E3 | 13331478E3 | - | - |
| | 10 | 10 x 18 | 61 | 20 | 0.10 | 16 | 12 | 10 | - | 13321109E3 | 13331109E3 | - | - |
| | 22 | 10 x 25 | 120 | 20 | 0.10 | 7.2 | 5.5 | 2.5 | - | 13390502E3 | 13390503E3 | - | - |
| 250 | 2.2 | 8 x 18 | 25 | 20 | 0.10 | 72 | 50 | 30 | - | 13323228E3 | 13333228E3 | - | - |
| | 4.7 | 10 x 18 | 37 | 20 | 0.10 | 34 | 23 | 16 | - | 13323478E3 | 13333478E3 | - | - |
| | 10 | 10 x 25 | 66 | 20 | 0.10 | 16 | 11 | 9 | - | 13323109E3 | 13333109E3 | - | - |

| ADDITIONAL ELECTRICAL DATA | | | |
|--|--|---|---------------|
| PARAMETER | CONDITIONS | VALUE | |
| | | AXIAL | MOUNTING RING |
| Voltage | | | |
| Surge voltage | U _R = 10 V to 250 V | U _s ≤ 1.15 x U _R | |
| Reverse voltage | | U _{rev} ≤ 1 V | |
| Current | | | |
| Leakage current | After 1 minute: | | |
| | Case Ø D x L = 6.5 mm x 18 mm to 10 mm x 25 mm: | | |
| | U _R = 10 V to 100 V | I _{L1} ≤ 0.01 C _R x U _R + 3 | |
| | U _R = 160 V to 250 V | I _{L1} ≤ 50 μA | |
| | Case Ø D x L = 10 mm x 30 mm to 21 mm x 38 mm: | | |
| | U _R = 10 V to 100 V | I _{L1} ≤ 0.006 C _R x U _R + 3 | |
| | After 5 minutes: | | |
| | Case Ø D x L = 6.5 mm x 18 mm to 10 mm x 25 mm: | | |
| | U _R = 10 V to 100 V | I _{L5} ≤ 0.002 C _R x U _R + 4 | |
| | U _R = 160 V to 250 V | I _{L5} ≤ 20 μA | |
| Case Ø D x L = 10 mm x 30 mm to 21 mm x 38 mm: | | | |
| U _R = 10 V to 100 V | I _{L5} ≤ 0.002 C _R x U _R + 4 μA | | |
| Inductance | | | |
| Equivalent series inductance (ESL) | Case Ø D x L mm: | | |
| | 6.5 x 18 | typ. 15 nH | - |
| | 8 x 18 | typ. 35 nH | - |
| | 10 x 18 | typ. 69 nH | - |
| | 10 x 25 | typ. 38 nH | - |
| | 10 x 30 | typ. 38 nH | - |
| | 12.5 x 30 | typ. 46 nH | - |
| | 15 x 30 | typ. 48 nH | typ. 39 nH |
| | 18 x 30 | typ. 50 nH | typ. 39 nH |
| | 18 x 38 | typ. 54 nH | typ. 39 nH |
| 21 x 38 | typ. 59 nH | typ. 39 nH | |

CAPACITANCE (C)

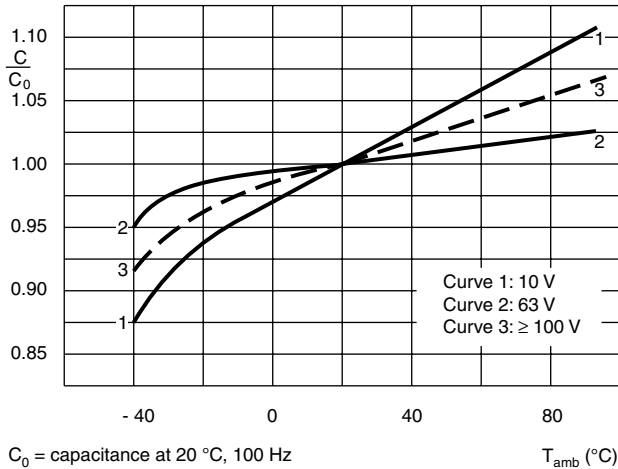


Fig.5 Typical multiplier of capacitance as a function of ambient temperature at 10 kHz

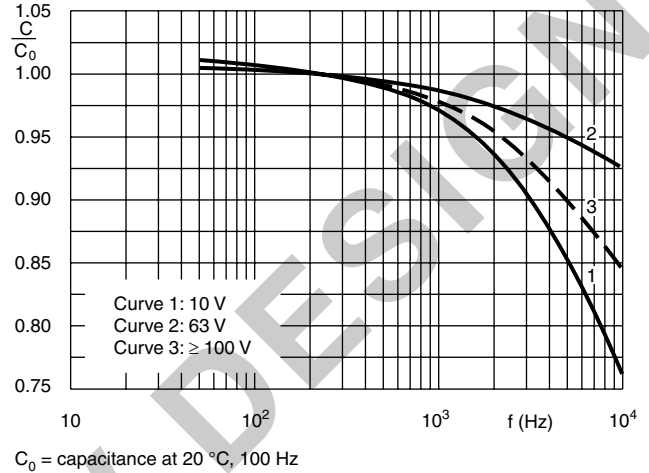


Fig.6 Typical multiplier of capacitance as a function of frequency

DISSIPATION FACTOR (tan δ)

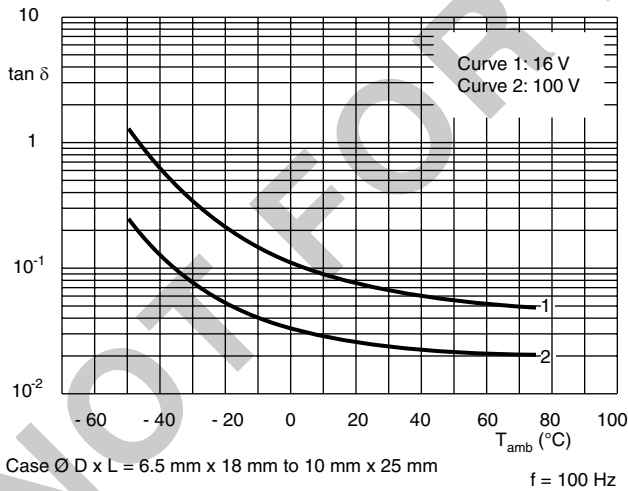


Fig.7 Typical tan δ as a function of ambient temperature

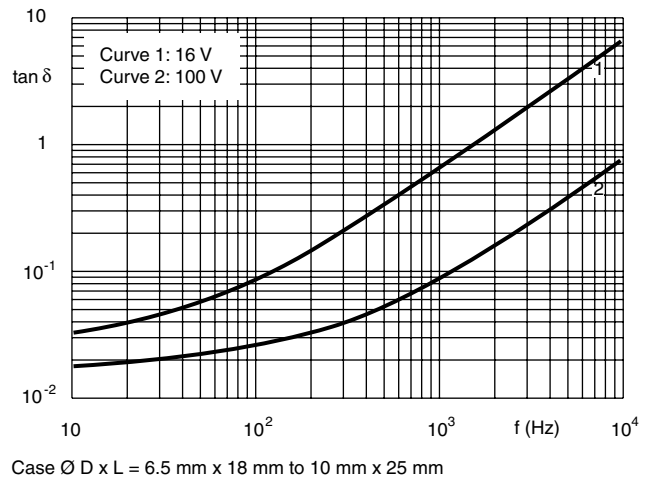


Fig.8 Typical tan δ as a function of frequency

IMPEDANCE (Z)

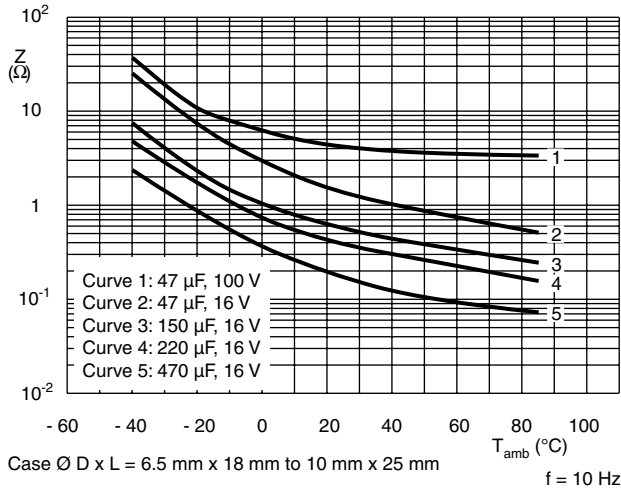


Fig.9 Typical impedance as a function of ambient temperature

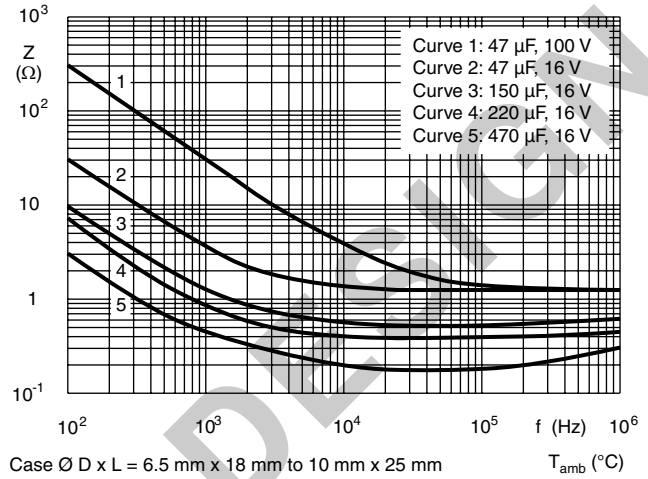
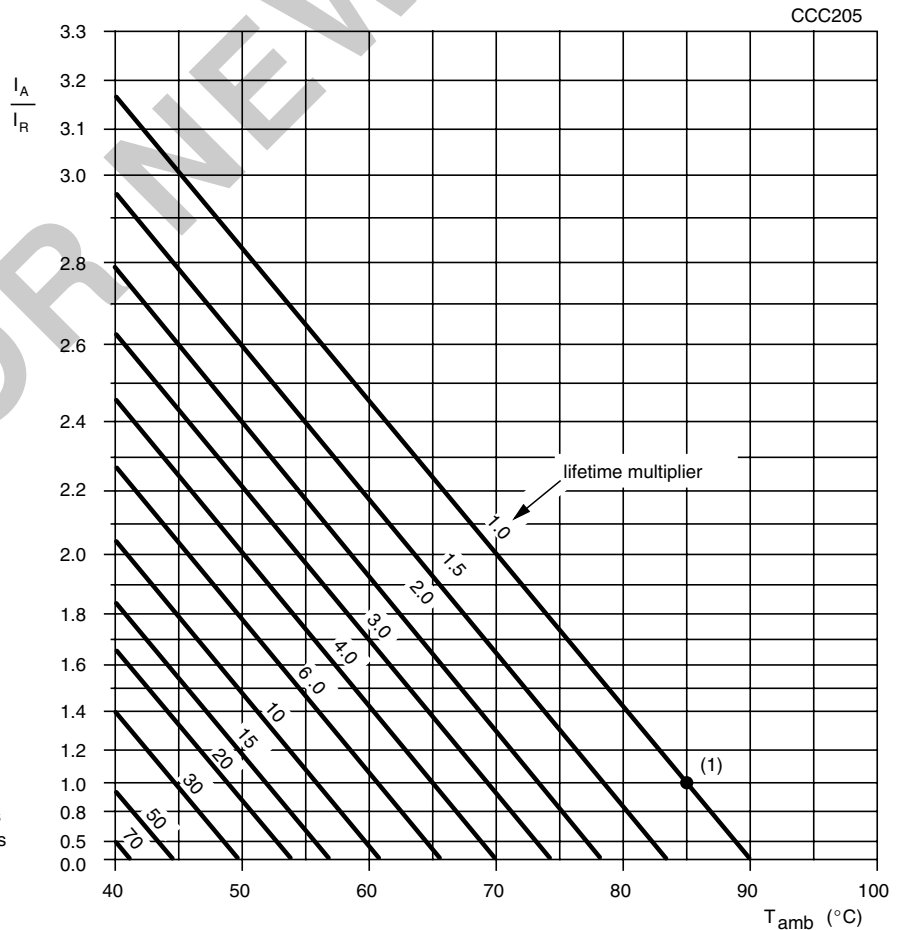


Fig.10 Typical impedance as a function of frequency

RIPPLE CURRENT AND USEFUL LIFE



I_A = actual ripple current at 100 Hz
 I_R = rated ripple current at 100 Hz, 85 $^{\circ}C$
 (1) Useful life at 85 $^{\circ}C$ and I_R applied:
 case $\varnothing D \times L = 6.5 \times 18$ to $8 \times 18 \text{ mm}$: 10 000 hours
 case $\varnothing D \times L = 10 \times 18$ to $21 \times 38 \text{ mm}$: 15 000 hours

Fig.11 Multiplier of useful life as a function of ambient temperature and ripple current load

Table 4

| MULTIPLIER OF RIPPLE CURRENT (I_R) AS A FUNCTION OF FREQUENCY | | | |
|---|-------------------------------------|-------------------------------------|--------------------------------------|
| FREQUENCY (Hz) | I_R MULTIPLIER | | |
| | $U_R = 10\text{ V and }16\text{ V}$ | $U_R = 25\text{ V and }63\text{ V}$ | $U_R = 100\text{ V to }250\text{ V}$ |
| 50 | 0.95 | 0.90 | 0.85 |
| 100 | 1.00 | 1.00 | 1.00 |
| 300 | 1.07 | 1.12 | 1.20 |
| 1000 | 1.12 | 1.20 | 1.30 |
| 3000 | 1.15 | 1.25 | 1.35 |
| $\geq 10\ 000$ | 1.20 | 1.30 | 1.40 |

Table 5

| TEST PROCEDURES AND REQUIREMENTS | | | |
|--|--|--|---|
| TEST | | PROCEDURE (quick reference) | REQUIREMENTS |
| NAME OF TEST | REFERENCE | | |
| Endurance | IEC 60384-4/ EN130300 subclause 4.13 | $T_{amb} = 85\text{ }^\circ\text{C}$; U_R applied; Case $\varnothing D \times L = 6.5\text{ mm} \times 18\text{ mm}$ to $8\text{ mm} \times 18\text{ mm}$: 6000 hours; Case $\varnothing D \times L = 10\text{ mm} \times 18\text{ mm}$ to $21\text{ mm} \times 38\text{ mm}$: 8000 hours | $U_R = 10\text{ V to }160\text{ V}$; $\Delta C/C$: $\pm 15\%$ $U_R = 250\text{ V}$; $\Delta C/C$: $\pm 10\%$ $\tan \delta \leq 1.3 \times \text{spec. limit}$ $Z \leq 2 \times \text{spec. limit}$ $I_{L5} \leq \text{spec. limit}$ |
| Useful life | CECC 30301 subclause 1.8.1 | $T_{amb} = 85\text{ }^\circ\text{C}$; U_R and I_R applied; Case $\varnothing D \times L = 6.5\text{ mm} \times 18\text{ mm}$ to $8\text{ mm} \times 18\text{ mm}$: 10 000 hours; Case $\varnothing D \times L = 10\text{ mm} \times 18\text{ mm}$ to $21\text{ mm} \times 38\text{ mm}$: 15 000 hours | $U_R = 10\text{ V to }160\text{ V}$; $\Delta C/C$: $\pm 45\%$ $U_R = 250\text{ V}$; $\Delta C/C$: $\pm 30\%$ $\tan \delta \leq 3 \times \text{spec. limit}$ $Z \leq 3 \times \text{spec. limit}$ $I_{L5} \leq \text{spec. limit}$ no short or open circuit total failure percentage: $\leq 1\%$ |
| Shelf life (storage at high temperature) | IEC 60384-4/ EN130300 subclause 4.17 | $T_{amb} = 85\text{ }^\circ\text{C}$; no voltage applied; 500 hours; After test: U_R to be applied for 30 minutes, 24 hours to 48 hours before measurement | $\Delta C/C$, $\tan \delta$, Z : for requirements see 'Endurance test' above $I_{L5} \leq 2 \times \text{spec. limit}$ |



Disclaimer

All product specifications and data are subject to change without notice.

Vishay Intertechnology, Inc., its affiliates, agents, and employees, and all persons acting on its or their behalf (collectively, "Vishay"), disclaim any and all liability for any errors, inaccuracies or incompleteness contained herein or in any other disclosure relating to any product.

Vishay disclaims any and all liability arising out of the use or application of any product described herein or of any information provided herein to the maximum extent permitted by law. The product specifications do not expand or otherwise modify Vishay's terms and conditions of purchase, including but not limited to the warranty expressed therein, which apply to these products.

No license, express or implied, by estoppel or otherwise, to any intellectual property rights is granted by this document or by any conduct of Vishay.

The products shown herein are not designed for use in medical, life-saving, or life-sustaining applications unless otherwise expressly indicated. Customers using or selling Vishay products not expressly indicated for use in such applications do so entirely at their own risk and agree to fully indemnify Vishay for any damages arising or resulting from such use or sale. Please contact authorized Vishay personnel to obtain written terms and conditions regarding products designed for such applications.

Product names and markings noted herein may be trademarks of their respective owners.