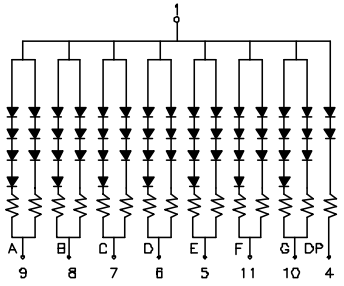
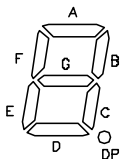
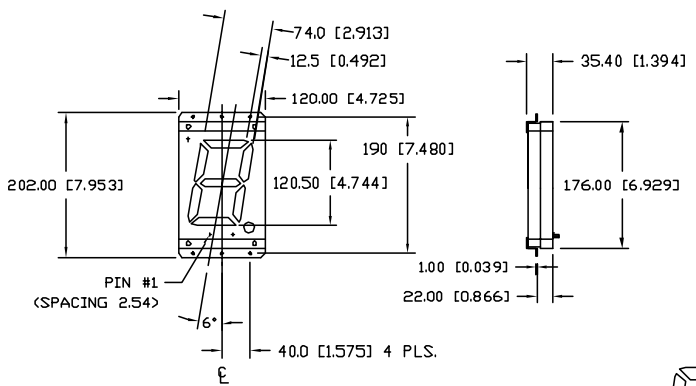
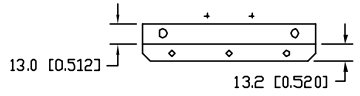


DATE	REVISIONS	REV
------	-----------	-----

DRAWING NUMBER LDS-CA476RE	REV
-------------------------------	-----



2, 3, 12 & 13 NO CONNECT
COMMON ANODE



MOUNTING TAB DETAIL

ELECTRO-OPTICAL CHARACTERISTICS $T_A = 25^\circ\text{C}$ $I_f = 20\text{mA}$

PARAMETER	MIN	TYP	MAX	UNITS	TEST COND
PEAK WAVELENGTH		660 (RED)		nm	
FORWARD VOLTAGE		12.0	15.0	V_f	
REVERSE VOLTAGE	5.0			V_r	$I_f = 100\mu\text{A}$
AXIAL INTENSITY		10,000		mcad	$I_f = 20\text{mA}$
EMITTED COLOR	RED				
EPOXY LENS FINISH	RED				
FONT COLOR	BLACK				

LIMITS OF SAFE OPERATION PER CHIP AT 25°C

PARAMETER	MAX	UNITS
PEAK FORWARD CURRENT*	150	mA
STEADY CURRENT	30	mA
POWER DISSIPATION	100	mW
DERATE FROM 25°C	-1.6	mW/ $^\circ\text{C}$
OPERATING, STORAGE TEMP	-40 TO +85	$^\circ\text{C}$
LEAD SOLDERING TEMP	+260	$^\circ\text{C}$
2.0mm FROM BDDY		3 SEC. MAX

* $t < 10\mu\text{s}$



292 E. HELLEN ROAD
PALATINE, ILLINOIS 60067
(708) 359-2790

CONFIDENTIAL INFORMATION
THE INFORMATION CONTAINED IN THIS DOCUMENT IS THE PROPERTY OF LUMEX OPTO/COMPONENTS, INC. EXCEPT AS SPECIFICALLY AUTHORIZED IN WRITING BY LUMEX OPTO/COMPONENTS, INC., THE HOLDER OF THIS DOCUMENT SHALL KEEP ALL INFORMATION CONTAINED HEREIN CONFIDENTIAL AND SHALL PROTECT SAME IN WHOLE OR IN PART FROM DISCLOSURE AND DISSEMINATION TO ALL THIRD PARTIES.

DATE: 11-21-95	DWN:	CHK'D:	APPD:
SCALE: N/A			

4.7" SEVEN SEGMENT DISPLAY, RED
BLACK/RED, COMMON ANODE

PAGE 1 OF 1	DRAWING NUMBER LDS-CA476RE	REV
-------------	-------------------------------	-----