

Poly-carbonmonofluoride Lithium Batteries (BR series)

TAB CONFIGURATIONS

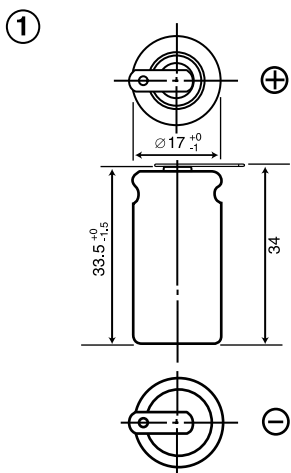
Bare Cell Model No.	Tab Type	Description	Configuration Diagram No.	Nominal	
				Voltage (V)	Capacity (mAh)
BR-2/3A	BR-2/3AT2SP	12 mm tabs for adding lead wires	1	3	1200
BR-2/3AG	BR-2/3AGT2SP*				1450
BR-2/3A	BR-2/3AE5SP	Tabs for PCB mounting. 1 Pin Positive 1 Pin Negative	2	3	1200
BR-2/3AG	BR-2/3AGE5SP*				1450
BR-2/3A	BR-2/3AE2SP	Tabs for PCB mounting. 2 Pins Positive 1 Pin Negative	3	3	1200
BR-2/3AG	BR-2/3AGE2SP*				1450
BR-1/2AA	BR-1/2AAE5P	Tabs for PCB mounting. 1 Pin Positive 1 Pin Negative	4	3	1000
BR-1/2AA	BR-1/2AAE2P	Tabs for PCB mounting. 2 Pins Positive 1 Pin Negative	5	3	1000
BR-A	BR-AT2P	12 mm tabs for adding lead wires	6	3	1800
BR-AG	BR-AGT2P*				2200
BR-A	BR-AE2P	Tabs for PCB mounting. 1 Pin Positive 1 Pin Negative	7	3	1800
BR-AG	BR-AGE2P*				2200
BR-C	BR-CT2P	12 mm tabs for adding lead wires	8	3	5000

* Please contact Panasonic for availability on optional items. Optional items may be subject to minimum order quantities.

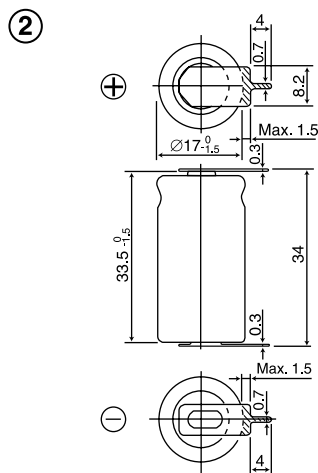
BR Series Cylindrical Cell Tab Configurations

DIMENSIONS / MM

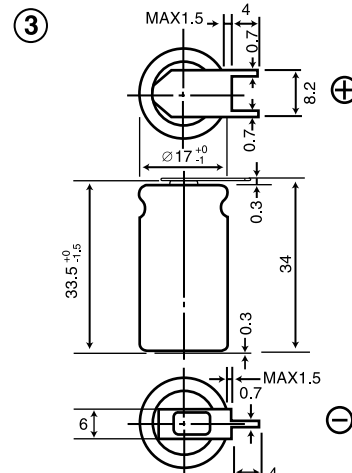
Dimensions/mm



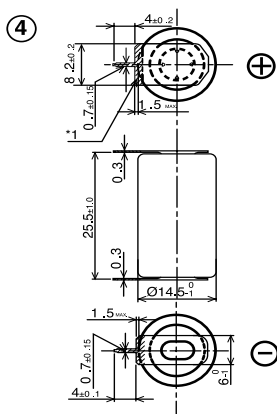
BR-2/3AT2SP
BR-2/3AGT2SP*



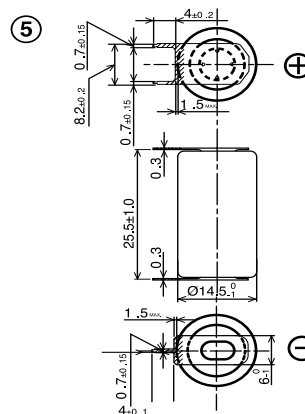
BR-2/3AE5SP
BR-2/3AGE5SP*



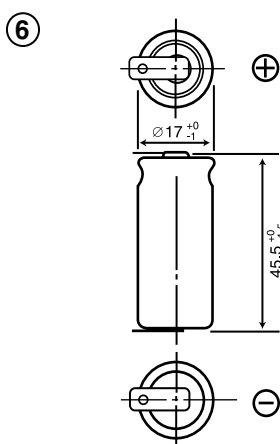
BR-2/3AE2SP
BR-2/3AGE2SP*



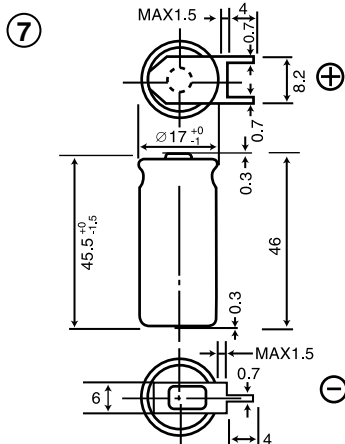
BR-1/2AAE5P



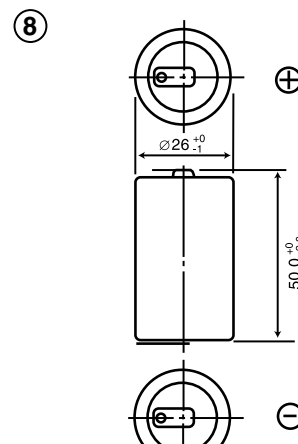
BR-1/2AAE2P



BR-AT2P
BR-2/3AGT2P*



BR-AE2P
BR-AGE2P*



BR-CT2P

* Please contact Panasonic for availability on optional items. Optional items may be subject to minimum order quantities.