

# INDIVIDUAL DATA SHEETS

## LC-P127R2P / LC-P127R2P1 (Faston 187) (Faston 250 with hole)



### Specifications

Nominal voltage		12V
Rated capacity (20 hour rate)		7.2Ah
Dimensions	Length	151 mm
	Width	64.5 mm
	Height	94 mm
Total Height		100 mm
Approx. mass		2.5 kg

\* The total height of #250 terminal is 101.5mm.

### Characteristics

Capacity (note) (25°C)	20 hour rate (360mA)	7.2Ah	
	10 hour rate (680mA)	6.8Ah	
	5 hour rate (1260mA)	6.3Ah	
	1 hour rate (4900mA)	4.9Ah	
	1.5 hour rate discharge Cut-off voltage 10.5 V	3.5A	
Internal resistance	Fully charged battery (25°C)	Approx. 40mΩ	
Temperature dependency of capacity (20 hour rate)	40°C	102%	
	25°C	100%	
	0°C	85%	
	-15°C	65%	
Self discharge (25°C)	Residual capacity after standing 3 months	91%	
	Residual capacity after standing 6 months	82%	
	Residual capacity after standing 12 months	64%	
Charge Method (Constant Voltage)	Trickle use	Initial current	1.08 A or smaller
		Control voltage	13.6V to 13.8V (per 12V cell 25°C)

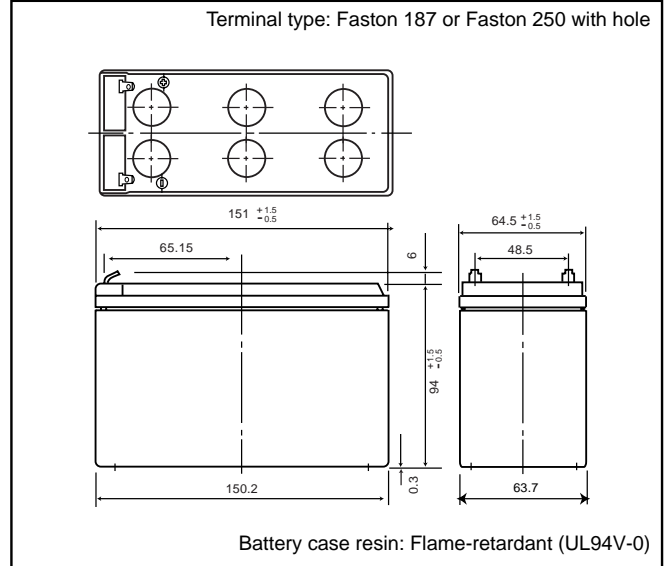
(Note) The above characteristics data are average values obtained within three charge/discharge cycles, not the minimum values.

(Note) For cycle use of the battery, please contact us in advance.

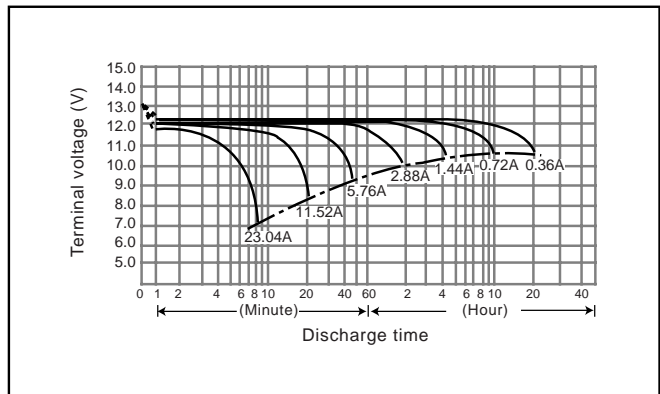
For standby power supplies.

Expected trickle life: Approx. 6 years at 25°C.

### Dimensions (mm)



### Discharge characteristics (25°C) (Note)



### Duration of discharge vs. Discharge current (Note)

