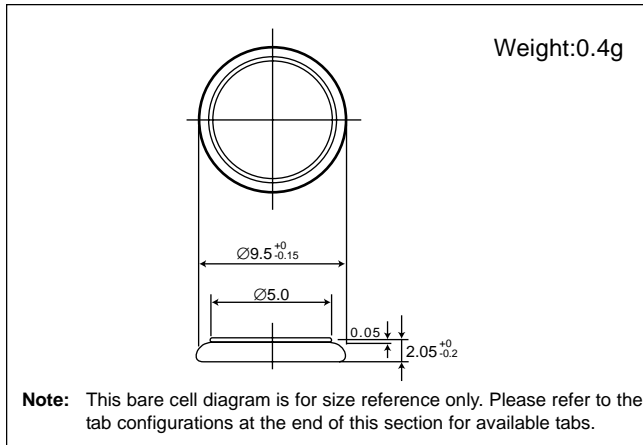


# Manganese Lithium Coin Batteries (ML series): Individual Specifications

## ML920S

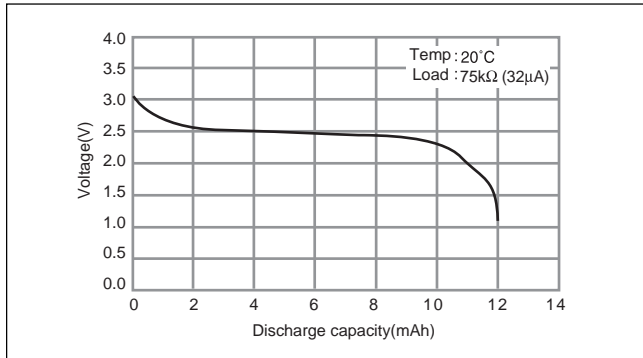
### ■ Dimensions(mm)



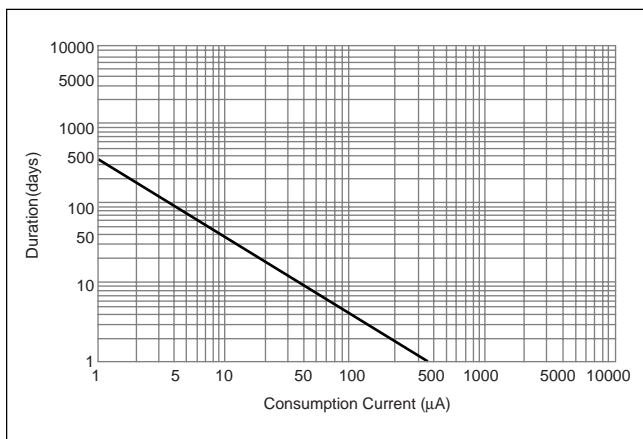
### ■ Specification

Nominal voltage (V)	3
Nominal capacity (mAh)	11.0
Continuous standard load (mA)	0.03
Operating temperature (C)	-20 ~ +60

### ■ Discharge characteristics

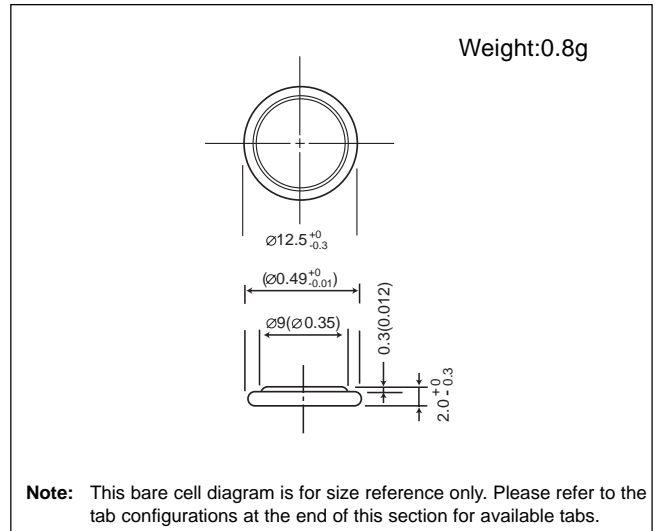


### ■ Consumption current vs. Duration time



## ML1220

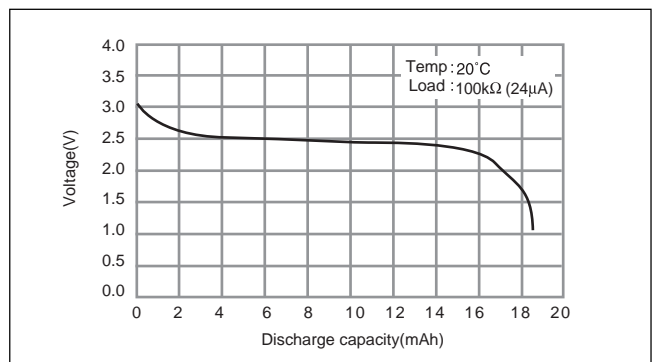
### ■ Dimensions(mm)



### ■ Specification

Nominal voltage (V)	3
Nominal capacity (mAh)	17.0
Continuous standard load (mA)	0.03
Operating temperature (C)	-20 ~ +60

### ■ Discharge characteristics



### ■ Consumption current vs. Duration time

