

# IBIS4-14000 14-Megapixel CMOS Image Sensor

## Features

- 3048 x 4560 active pixels
- 8- $\mu$ m 8- $\mu$ m square pixels
- 36-mm x 24-mm focal plane array
- 35 mm optical format
- 3 frames per second (fps) frame rate
- Rolling shutter mode
- On-chip FPN correction
- 4 parallel analog outputs
- Serial peripheral interface (SPI)
- ROI read out and smart sub-sampling
- Dynamic range: 65.4 dB
- Supplies: 3.3 V
- 49-pin PGA package
- <0.760-W power dissipation

## Applications

- Machine Vision (PCB printing)
- Document scanning
- Biometrics (finger printing)
- Digital Photography

## Ordering Information

Marketing Part Number	Description	Package
CYII4SM014KAA-GEC	Mono standard grade with glass	49-pin PGA
CYII4SM014K-EVAL	Mono demo kit	Demo Kit

**Note** Refer to [Ordering Code Definition](#) on page 21 for more information.

## Description

Cypress's IBIS4-14K CMOS image sensor has an image resolution of 3048 by 4560 active pixels. The pixels are 8- $\mu$ m x 8- $\mu$ m in size and consist of high sensitivity 3T rolling shutter capability.

The IBIS4-14K is available with 14 Megapixels resolution at 3 fps which makes this product ideal for document scanning, biometrics and low speed machine vision applications.

The IBIS4-14K is housed in a 49-pin ceramic PGA package. Contact your local Cypress representative for more information.

**Figure 1. IBIS4-14K Photo**



**Contents**

<b>Features</b> .....	<b>1</b>	<b>Package Information</b> .....	<b>15</b>
<b>Applications</b> .....	<b>1</b>	Pin Configuration.....	15
<b>Description</b> .....	<b>1</b>	Geometry and Mechanical .....	17
<b>Ordering Information</b> .....	<b>1</b>	Pin Number Assignment.....	18
<b>Content</b> .....	<b>2</b>	Package Diagram .....	19
<b>Specifications</b> .....	<b>3</b>	Die Placement Dimensions and Accuracy .....	19
General Specifications .....	3	Glass Lid .....	20
Electro-Optical Specifications .....	3	<b>Handling Precautions</b> .....	<b>21</b>
Electrical Specifications .....	3	<b>Limited Warranty</b> .....	<b>21</b>
<b>Architecture and Operation</b> .....	<b>5</b>	Return Material Authorization (RMA) .....	21
Floor Plan .....	5	<b>Acceptance Criteria Specification</b> .....	<b>21</b>
Pixel Specifications .....	6	<b>Ordering Code Definition</b> .....	<b>21</b>
Readout and Subsampling Modes .....	8	<b>Acronyms</b> .....	<b>22</b>
<b>Sensor Read Out Timing Diagrams</b> .....	<b>9</b>	<b>Glossary</b> .....	<b>23</b>
<b>SPI Register</b> .....	<b>13</b>	<b>Document History Page</b> .....	<b>25</b>
SPI Interface Architecture .....	13	<b>Sales, Solutions, and Legal Information</b> .....	<b>25</b>
SPI Register Definition .....	13	Worldwide Sales and Design Support .....	25

## Specifications

All parameters are measured using the default settings (see recommended operating conditions) unless otherwise specified.

### General Specifications

Parameter	Value
Pixel architecture	3T pixel
Technology	CMOS
Pixel size	8- $\mu$ m x 8- $\mu$ m
Resolution	3048 x 4560
Power supply	3.3 V
Shutter type	Electronic rolling shutter
Pixel rate	15 MHz nominal
Frame rate at full resolution	3.25 frames/s
Power dissipation	176 mW/53 mA
Dynamic range	65.4 dB
Packaging	49-pins PGA

### Electro-Optical Specifications

Parameter	Value
Effective conversion gain <sup>[1]</sup>	18.5 V/e-
Spectral response x fill factor	0.22 A/W (peak)
Peak quantum efficiency (QE) x fill factor	45% between 500-700 nm range
Full Well Charge <sup>[1]</sup>	65000 electrons
Linear range	90% of full well charge
Temporal noise (kTC noise limited)	35 electrons
Sensitivity (at 650 nm)	1256 V.m <sup>2</sup> /W.s
Dynamic range <sup>[1]</sup>	1857:1 (65.4 dB)
Linear dynamic range <sup>[1]</sup>	1671:1 (64.5 dB)
Average dark current @ 24 °C	55 pA/cm <sup>2</sup>
Dark current signal @ 24 °C	223 electrons/s, 4.13 mV/s
MTF at Nyquist @ 600 nm	0.55 in X, 0.57 in Y
Fixed pattern noise (local 32 x 32 pixel window)	0.11% V <sub>sat</sub> RMS
Fixed pattern noise (global)	0.15% V <sub>sat</sub> RMS
Photo response nonuniformity (PRNU)	<1% RMS of signal
Anti-blooming	10 <sup>5</sup>

### Electrical Specifications

*Absolute Maximum Ratings*<sup>[3]</sup>

Parameter	Description	Value	Unit
V <sub>DC</sub>	DC supply voltage	-0.5 to +4.5	V
V <sub>IN</sub>	DC input voltage	-0.5 to V <sub>DC</sub> + 0.5	V
V <sub>OUT</sub>	DC output voltage	-0.5 to V <sub>DC</sub> + 0.5	V
I	DC current per pin; any single input or output	±50	mA
T <sub>S</sub> <sup>[5]</sup>	ABS Storage temperature range	0	150
	ABS Storage humidity range	5	90
ESD <sup>[5]</sup>	Electro Static Discharge: HBM	Jedec Rating: Class 0	
	Electro Static Discharge: CDM	Jedec Rating: Class I	

#### Note

- Settings: VDD = 3.3V, VDDR = 4V and VDD\_ARRAY = 3V.

*Recommended Operating Conditions*<sup>[4]</sup>

Parameter	Description	Min	Typ	Max	Unit
T <sub>J</sub> <sup>[4]</sup>	Operating temperature range	0		70	°C
T <sub>S</sub> <sup>[5]</sup>	Storage temperature range	20		40	°C
	Storage humidity range	30		60	%RH
VDD	Nominal power supply	–	3.3	3.6	V
VDDRL VDDRR	Reset power supply level	–	4	–	V
VDD_ARRAY	Pixel supply level	–	3	–	V
DARKREF	Dark reference offset level	1.7	2.65	3	V
GNDAB	Anti-blooming ground level	0	0	1	V
V <sub>OUT</sub>	Analog output level	0.5	–	3	V
V <sub>IH</sub>	Logic input high level	2.5	–	3.3	V
V <sub>IL</sub>	Logic input low level	0	–	1	V

*Biasing Currents*<sup>[4]</sup>

Pin Number	Pin Name	Connection	Input Current	Pin Voltage
1	OBIAS	10 k to V <sub>DD</sub>	179 μA	1.51 V
36	CBIAS	22 k to V <sub>DD</sub>	91 μA	1.29 V
37	PCBIAS	22 k to V <sub>DD</sub>	91 μA	1.29 V
48	XBIAS	10 k to V <sub>DD</sub>	181 μA	1.49 V
49	ABIAS	or 10 M to V <sub>DD</sub>	–	0.8 V

**Notes:**

2. Tolerance on bias reference voltages: ±150 mV due to process variances.
3. Absolute maximum ratings are limits beyond which damage may occur.
4. Operating ratings are conditions in which operation of the device is intended to be functional.
5. Cypress recommends that customers become familiar with, and follow the procedures in JEDEC Standard JESD625-A. Refer to Application Note [AN52561](#).

## Architecture and Operation

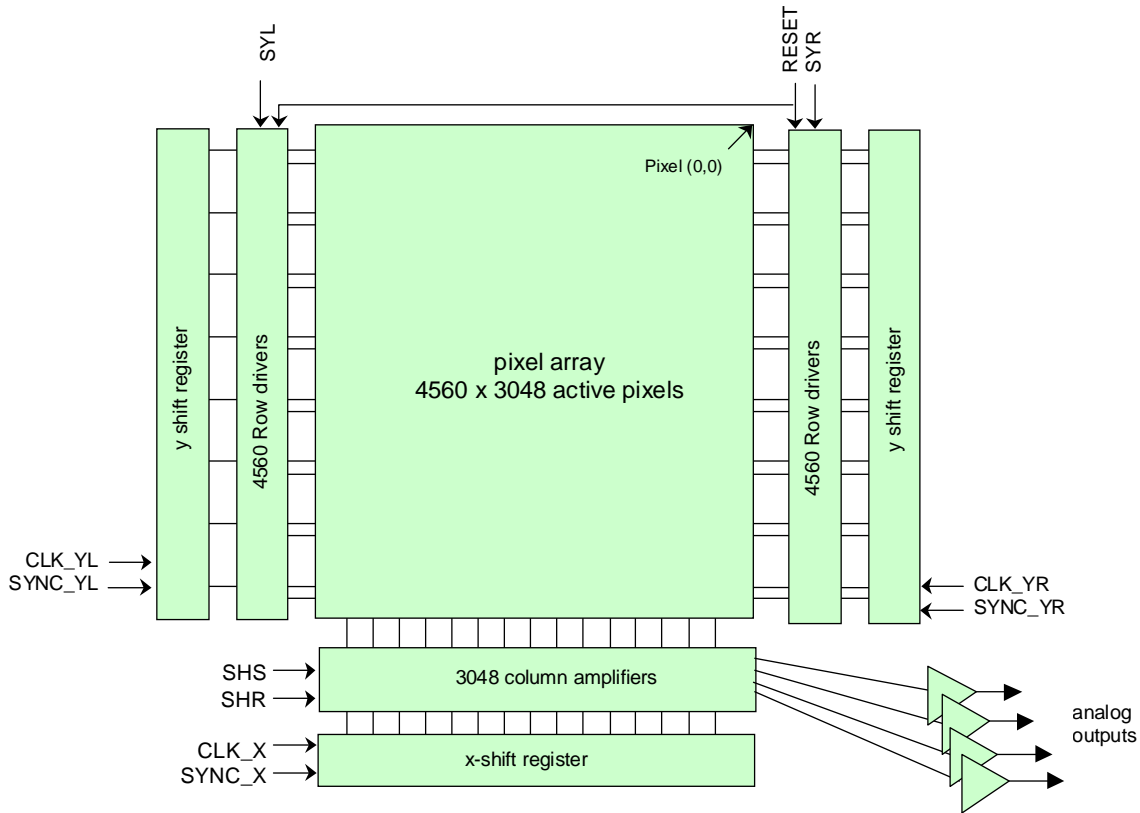
### Floor Plan

The architecture of the sensor is shown in the [Figure 2](#). The Y-shift registers point at a row of imager arrays. The imager arrays row is selected by the row drivers or reset by them. There are two Y-shift registers, one points to the row that is read out and the other points to the row to be reset. The second pointer may lead the first pointer by a specific number of rows. In that case, the time difference between both pointers is the integration time. Alternatively, both shift registers can point at the same row for reset and readout for a faster reset sequence. When the row is read out, it is also reset. This is to do double sampling for FPN reduction.

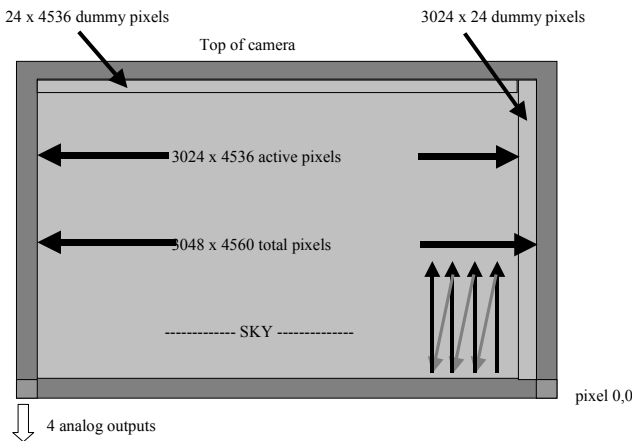
The pixel array of the IBIS4-14000 consists of 4536 × 3024 active pixels and 24 additional columns and rows which can be addressed (see [Figure 3](#)). The column amplifiers read out the pixel information and perform the double sampling operation. They also multiplex the signals on the readout buses, which are buffered by the output amplifiers.

The shift registers can be configured for various subsampling modes. The output amplifiers can be individually powered down and some other additional functions are available. These options are configurable using a serial input port.

Figure 2. IBIS4-14K Block Diagram



**Figure 3. Location of 24 Additional Columns and Rows, Scan Direction of the Array**



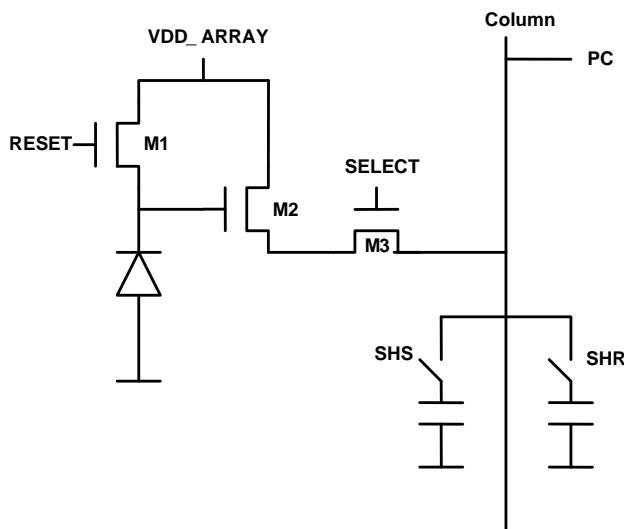
**Pixel Specifications**

The pixel is a classic three transistor active pixel. The photodiode is a high-fill-factor n-well/p-substrate diode. The chip has separate power supplies for the following:

- General power supply for the analog image core (VDD)
- Power supply for the reset line drivers (VDDR)

Separate power supply for the pixel itself (VDDARRAY).

**Figure 4. Pixel and Column Structure Schematic**



*FPN and PRNU*

FPN correction is done on-chip using the double sampling technique. The pixel is read out and this voltage value is sampled on the capacitor SHS. After readout, the pixel is reset again and this value is sampled by SHR. Both sample and reset values of each pixel are subtracted in the column amplifiers to subtract FPN. Raw images taken by the sensor typically feature a residual (local) FPN of 0.11% RMS of the saturation voltage.

The photo response nonuniformity (PRNU), caused by mismatch of photodiode node capacitances, is not corrected on-chip. Measurements indicate that the typical PRNU is less than 1% RMS of the signal level.

*Output Stage*

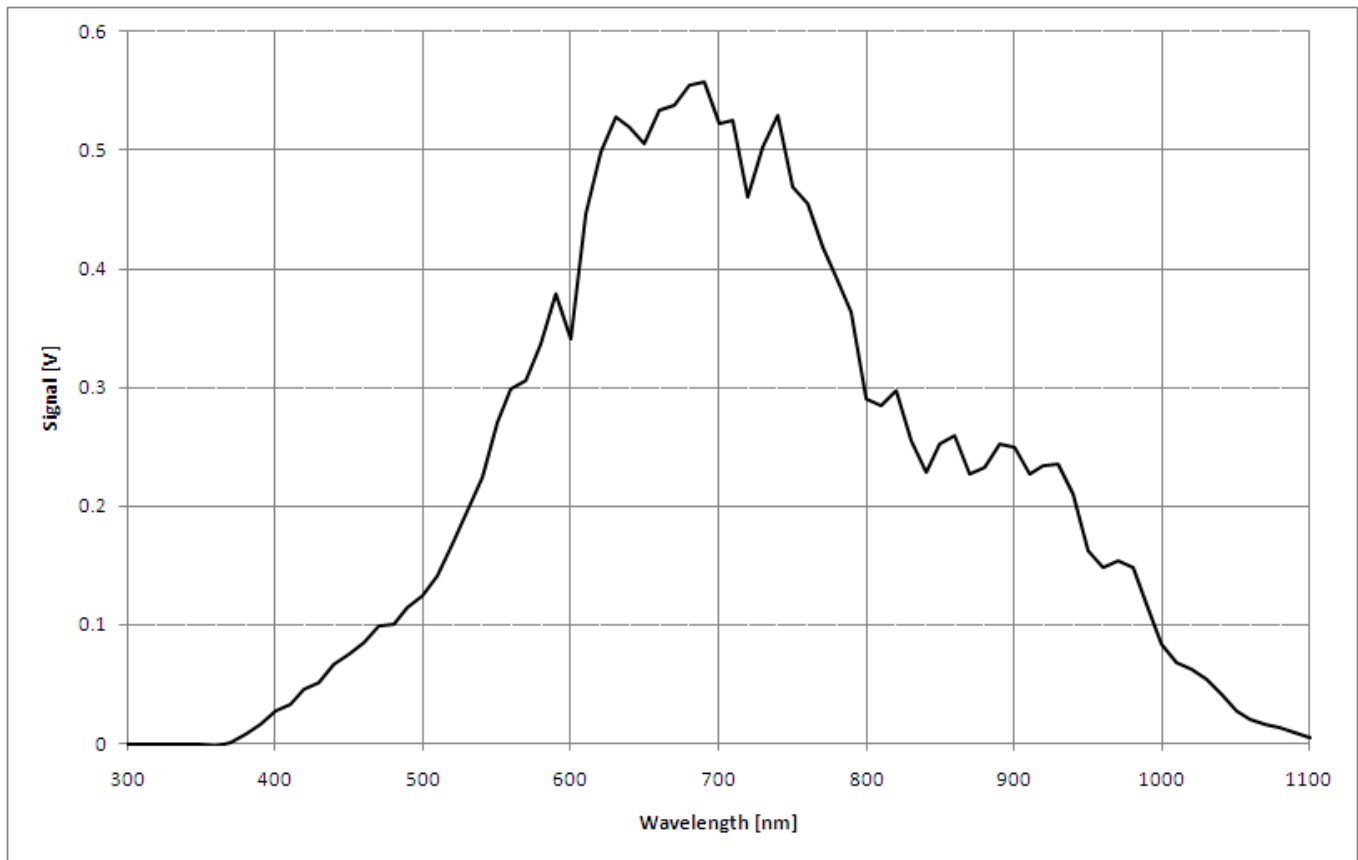
Unity gain buffers are implemented as output amplifiers. These amplifiers can be directly DC-coupled to the analog-digital converter or coupled to an external programmable gain amplifier (PGA).

The dark reference offset of the output signal is adjustable between 1.7 V and 3 V. The amplifier output signal is negative going with increasing light levels, with a maximum amplitude of 1.2 V (at 4 V reset voltage, in hard reset mode). The output signal range of the output amplifiers is between 0.5 V and 3 V.

Notes on analog video signal and output amplifier specifications:

- Video polarity: the video signal is negative going with increasing light level.
- Signal offset: the analog offset of the video signal can be set by an external DC bias (pin 12 DARKREF). The settable range is between 1.7 V and 3 V, with 2.65 V being the nominal expected set point. Hence, the output range (including 1.2 V video signal) is between 3 V and 0.5 V.
- Power control: the output amplifiers can be switched between an 'operating' mode and a 'standby' mode via the serial port of the imager (see [SPI Register](#) on page 13 for the configuration).
- Coupling: the IBIS4-14000 can be DC- or AC-coupled to the AD converter.

Figure 5. Spectral Response Curve

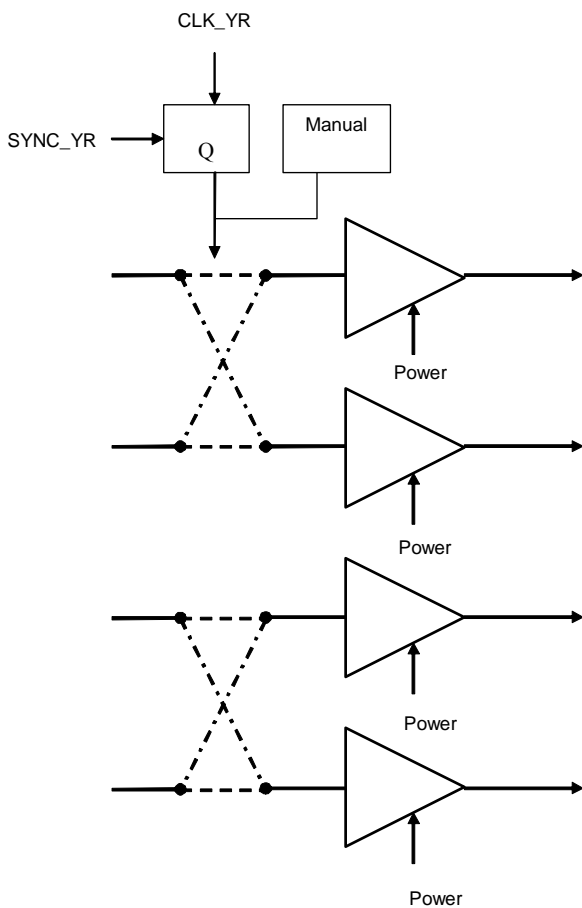


Output Amplifier Crossbar Switch (multiplexer)

A crossbar switch is available that routes the green pixels always to the same output. The switch can be controlled automatically (with a toggle on every CLK\_Y rising edge) or manually (through the SPI register).

A pulse on SYNC\_Y resets the crossbar switch. The initial state after reset of the switchboard is read from the SPI control register. When the automatic toggling of the switchboard is enabled, it toggles on every rising edge of the CLK\_Y clock. Separate pins are used for the SYNC\_Y and CLK\_Y signals on the crossbar logic these pins can be connected to the SYNC\_YL and CLK\_YL pins of the shift register that is used for readout as shown in Figure 6.

Figure 6. Output Amplifier Crossbar Switch



Readout and Subsampling Modes

The subsampling modes available on the IBIS4-14000 are summarized in Table 1.

Table 1. Subsampling Modes

Subsampling Modes Programmed into SPI Register		
X-shift register subsampling settings		
Bit-code	Mode	Use
000	1:1	Full resolution (4 outputs) 4:1 subsampling
001	Full resolution	
010	(all columns)	
011	24:1 Select 4 columns/ skip 20	24:1 subsampling ( 2 outputs)
100	8:1 Select 4 columns / skip 4s	8:1 subsampling (2 outputs)
101	12:1 Select 4 columns / skip 8	12:1 subsampling (2 outputs)
Y-shift register subsampling settings		
Bit-code	Mode	Use
000	4:1	4:1 subsampling
010	Select 2 rows / skip 2	
100		
001	1:1 Full resolution (all rows)	Full resolution
011	6:1 Select 2 rows / skip 4	6:1 subsampling
101	12:1 Select 2 rows / skip 10	12:1 subsampling

Each mode is selected independently for the X-shift and Y-shift registers. The subsampling mode is configured via the serial input port of the chip. The Y-shift and X-shift registers have some difference in subsampling modes because of constraints in the design of the chip.

The baseline full resolution operation mode uses four outputs to read out the entire image. Four consecutive pixels of a row are put in parallel on the four parallel outputs.

Subsampling is implemented by a shift register with hard coded subsample modes. Depending on the selected mode, the shift register skips the required number of pixels when shifting the row or column pointer.

The X-shift register always selects four consecutive columns in parallel. You can subsample in X by activating one of the modes wherein a multiple of four consecutive columns are skipped on a CLK\_X pulse. The Y-shift register selects a single row. It consecutively selects two adjacent rows and then skips a set number of rows (the number of rows to skip is set in the subsample mode).



One output can be used and every second row selected by the Y-shift register can be skipped. This doubles the frame rate. Note that for 2 or 1 channel readout, you can power down the not-used output amplifiers through the SPI shift register.

Rows can also be skipped by extra CLK\_Y pulses. You do not need to apply additional control pulses to rows that are skipped. This is another way to implement extra subsampling schemes.

For example, to support the 24:1 X-shift register mode vertically, set the Y-shift register to the 12:1 mode and given an additional CLK\_Y pulse at the start of each row.

Table 2 lists the frame rates of the IBIS4-14000 in various subsample modes with only one output. The row blanking time (dead time between readout of successive rows) is set to 17.5 s.

**Table 2. Frame Rates and Resolution for Various Subsample Modes**

Ratio	# Outputs	Image Resolution	Frame rate [frames/s]	Frame readout time [s]
1:1	4	3024 x 4536	3.25	0.308
4:1	1	756 x 1134	12.99	0.077
8:1	1	378 x 567	41.30	0.024
12:1	1	252 x 378	77.13	0.013

**Note** The 24 additional columns and rows do not subsample (see Figure 3 on page 6).

## Sensor Read Out Timing Diagrams

### Row Sequencer

The row sequencer controls pulses to be given at the start of each new line. Figure 7 on page 10 shows the timing diagram for this sequence.

The signals to be controlled at each row are:

- CLK\_YL and CLK\_YR: These are the clocks of the YL and YR shift register. They can be driven by the same signals and at a continuous frequency. At every rising edge, a new row is being selected.
- SELECT: This signal connects the pixels of the currently sampled line with the columns. It is important that PC and SELECT are never active together.
- PC: An initialization pulse that needs to be given to precharge the column.
- SHS (Sample & Hold pixel Signal): This signal controls the track and hold circuits in the column amplifiers. It is used to sample the pixel signal in the columns. (0 = track ; 1 = hold).
- RESET: This pulse resets the pixels of the row that is currently being selected. In rolling shutter mode, the RESET signal is pulsed a second time to reset the row selected by the YR shift register. For “reset black” dark reference signals, the reset pulse can be pulsed also during the first PC pulse. Normally, the rising edge of RESET and the falling edge of PC occur at

the same position. The falling edge of RESET lags behind the rising PC edge.

- SHR (Sample & Hold pixel Reset level): This signal controls another track and hold circuit in the column amplifiers. It is used to sample the pixel reset level in the columns (for double sampling). (0 = track ; 1 = hold).
- SYL (Select YL register): Selects the YL shift register to drive the reset line of the pixel array.
- SYR (Select YR register): Selects the YR shift register to drive the reset line of the pixel array. For rolling shutter applications, SYL and SYR are complementary. In full frame readout, both registers may be selected together, only if it is guaranteed that both shift registers point to the same row. This can reduce the row blanking time.
- SYNC\_YR and SYNC\_YL: Synchronization pulse for the YR and YL shift registers. The SYNC\_YR/SYNC\_YL signal is clocked in during a rising edge on CLK\_YR/CLK\_YL and resets the YR/YL shift register to the first row. Both pulses are pulsed only once each frame. The exact pulsing scheme depends on the mode of use (full frame/ rolling shutter). A 200 ns setup time applies. See Table 3 on page 10.
- SYNC\_X: Resets the column pointer to the first row. This has to be done before the end of the first PC pulse in case the previous line has not been read out completely.

Figure 7 shows the basic timing diagram of the IBIS4-14000 image sensor and Table 3 on page 10 shows the timing specifications of the clocking scheme.

Figure 7. Line Read Out Timing

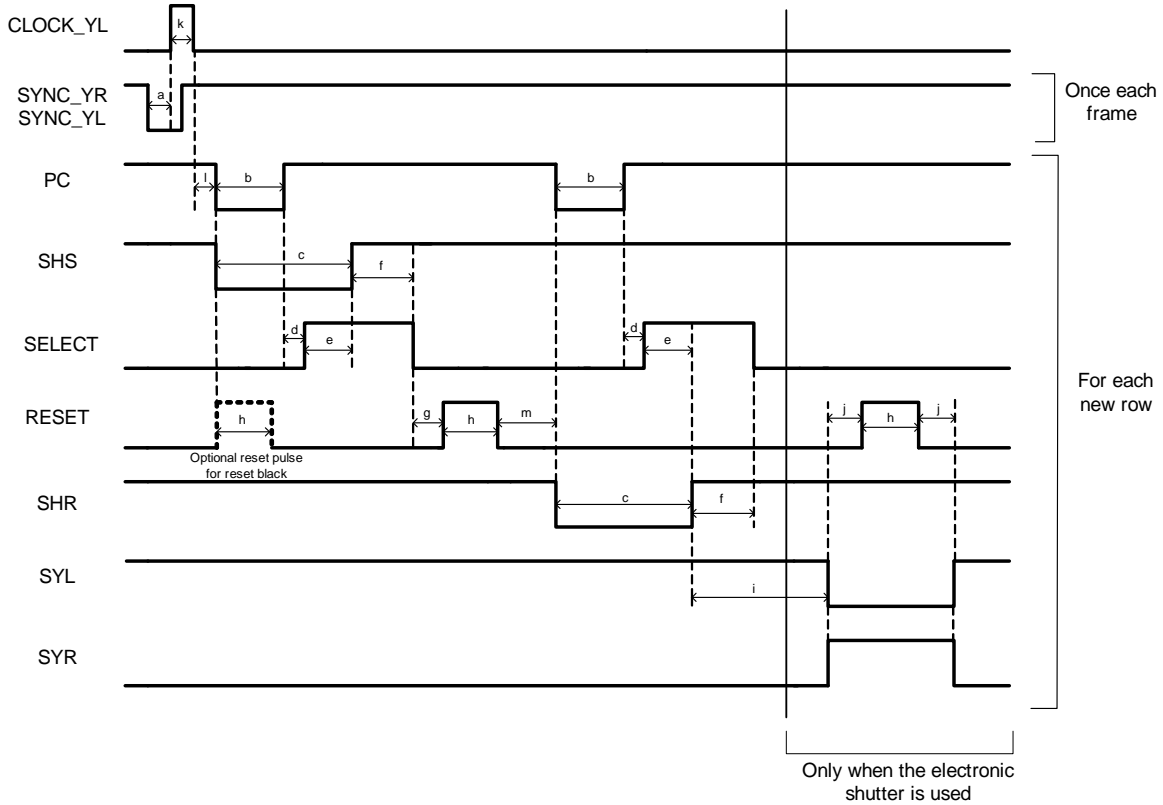


Table 3. Timing Constraints for the Row Sequencer

Symbol	Min	Typ	Units	Description
a	200	600	ns	Min. SYNC set-up times. SYNC_Y is clocked in on rising edge on CLK_Y. SYNC_Y pulse must overlap CLK_Y by one clock period. Setup times of 200 ns apply after SYNC edges. Within this setup time no rising CLK edge may occur.
b	–	2.7	µs	Duration of PC pulse.
c	–	10	µs	Delay between falling edge on PC and rising edge on SHS/SHR. Duration of SHS/SHR pulse.
d	–	1.3	µs	Delay between rising edge on PC and rising edge on SELECT.
e	–	6.5	µs	Delay between rising edge on SELECT and rising edge on SHS/SHR.
f	–	100	ns	Delay between rising edge on SHS and falling edge on SELECT.
g	–	1.4	µs	Delay between falling edge of SELECT and rising edge of RESET.
h	–	5	µs	Duration of RESET pulse.
i	–	1.28	µs	Delay between rising edge on SHR and rising edge on SYR.
j	$h+2*CLK$	500	ns	SYL and SYR pulses must overlap second RESET pulse at both sides by one clock cycle.
k	–	240	ns	Duration of CLOCK_Y pulse.
l	–	3	µs	Delay between falling edge of CLK_Y and Falling edge of PC and SHS.
m	–	500	ns	Delay between falling edge of RESET and falling edge of PC and SHR.

Notes CLK = one clock period of the master clock, shortest system time period available.

In [Figure 7](#) on page 10 timing diagram, the YR shift register is used for the electronic shutter. The CLK\_YR is driven identically as CLK\_YL. The SYNC\_YR pulse leads the SYNC\_YL pulse by a given number of rows. Relative to the row timing, both SYNC pulses are given at the same time position.

SYNC\_YR and SYNC\_YL are only pulsed once each frame, SYNC\_YL is pulsed when the first row is read out and SYNC\_YR is pulsed for the electronic shutter at the appropriate moment.

This timing assumes that the registers that control the subsampling modes have been loaded in advance (through the SPI interface), before the pulse on SYNC\_YL or SYNC\_YR.

The second reset pulse and the pulses on SYL and SYR (all pulses drawn in red) are only applied when the rolling electronic shutter is used. For full frame integration, these pulses are skipped.

The SYNC\_Y pulse is also used to initialize the switchboard (output multiplexer). This is also done by a synchronous reset on the rising edge of CLK\_Y. Normally the switchboard is controlled by the shift register used for readout (this is the YL shift register). This means that pin SYNC\_Y can be connected to SYNC\_YL, and pin CLK\_Y can be connected to CLK\_YL.

The additional RESET BLACK pulse (indicated in dashed lines in [Figure 7](#) on page 10) can be given to make one or more lines black. This is useful to generate a dark reference signal.

*Timing Pulse Pattern for Readout of a Pixel*

[Figure 8](#) shows the timing diagram to preset (sync) the X shift register, read out the image row, and analog-digital conversion. There are 3 tasks:

- Preset the X shift register: Apply a low level to SYNC\_X during a rising edge on CLK\_X at the start of a new row
- Readout of the image row: Pulse CLK\_X
- Analog-digital conversion: Clock the ADC

The SYNC pulses perform a synchronous reset of the shift registers to the first row/column on a rising edge on CLK. This is identical for all shift registers (YR, YL and X).

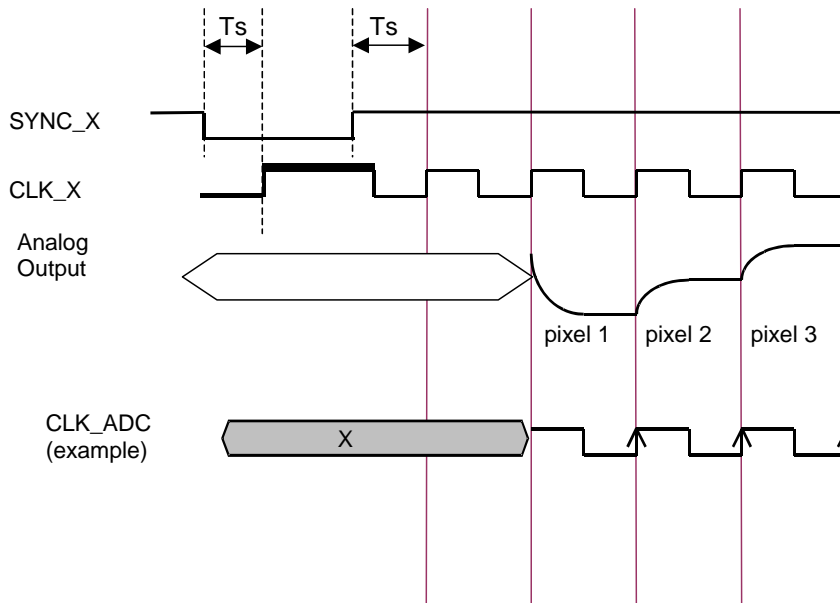
**Note** The SYNC\_X signal has a setup time  $T_s$  of 150 ns. For the YR and YS shift registers, the setup time is 200 ns. CLK\_X must be stable at least during this setup time.

If a partial row readout is performed, 2 CLK\_X pulses (with SYNC\_X = LOW) are required to fully deselect the column where the X pointer is stopped. A single CLK\_X leaves the column partially selected which then has a different response when read out in the next row.

When full row readout is performed, the last column is fully deselected by a single CLK\_X pulse (with SYNC\_X = LOW). The X-register is reset by a single CLK\_X pulse (with SYNC\_X = LOW). In case of partial row readout, give the SYNC\_X pulse before the sample pulses (SHR and SHS) of the process to avoid a different response of the last column of the previous window.

For the X shift register the analog signal is delayed by 2 clock periods before it becomes available at the output (due to internal processing of the signal in the columns and output amplifier). [Figure 8](#) gives an example of an ADC clock for an ADC that samples on the rising edge.

**Figure 8. Row Readout Timing Sequence**



Fast Frame Reset Timing Diagram

Figure 9 shows the reset timing for a fast frame reset.

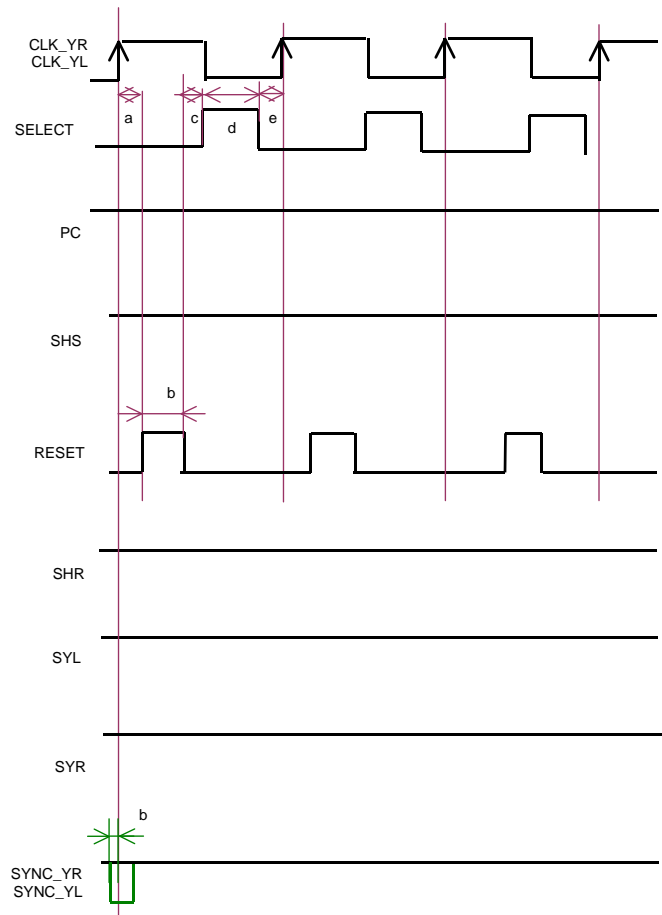
Keep both SYL and SYR high to speed up the reset mechanism and reduce propagation delays. PC, SHS, SHR can be kept high since they do not interact with the pixel reset mechanism.

Table 4 lists the timing specifications for RESET, CLK\_Y and SELECT.

Table 4. Fast Reset Timing Constraints

Symbol	Typical	Description
a	0 $\mu$ s	Delay between rising CLK_Y edge and Reset.
b	4 $\mu$ s	Reset pulse width.
c	0	Reset hold time.
d	1.6 $\mu$ s	Select pulse width.
e	1 $\mu$ s	Setup hold time. CONSTRAINT: $a + e > 1$ us due to propagation delay on pixel select line.

Figure 9. Fast Reset Sequence Timing



## SPI Register

### SPI Interface Architecture

The elementary unit cell of the serial to parallel interface consists of two D-flip-flops. The architecture is shown in Figure 10. 16 of these cells are connected in parallel, having a common /CS and SCLK form the entire uploadable parameter block, where  $D_{in}$  is connected to  $D_{out}$  of the next cell. The uploaded settings are applied to the sensor on the rising edge of signal /CS.

Figure 10. SPI Interface

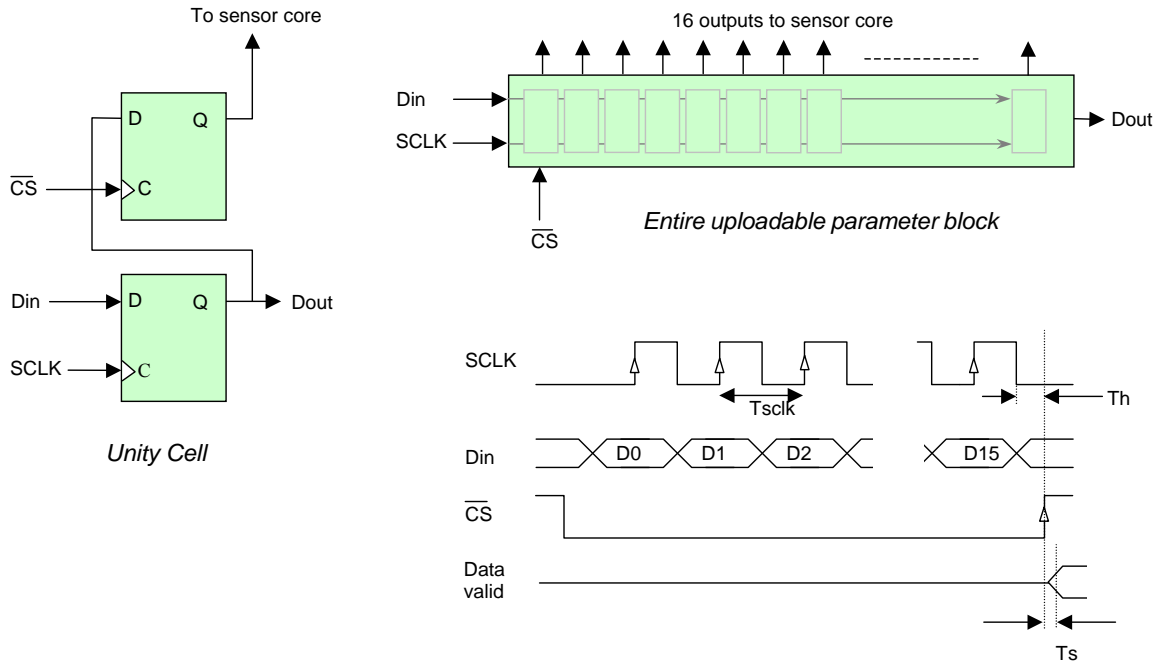


Table 5. Timing Requirements Serial Parallel Interface

Parameter	Value
T <sub>sclk</sub>	100 ns
T <sub>s</sub>	50 ns
T <sub>h</sub>	50 ns

### SPI Register Definition

Sensor parameters can be serially uploaded inside the sensor at the start of a frame. The parameters are:

- Subsampling modes for X and Y-shift registers (3-bit code for six subsampling modes)
- Power control of the output amplifiers, column amps and pixel array. Each amplifier can be individually powered up/down
- Output crossbar switch control bits. The crossbar switch is used to route the green pixels to the same output amplifiers at all times. A first bit controls the crossbar. When a second bit is set, the first bit toggles on every CLK\_Y edge to automatically route the green pixels of the bayer filter pattern.

The code is uploaded serially as a 16-bit word (LSB uploaded first).

Table 6 on page 14 lists the register definition. The default code for a full resolution readout is 33342 (decimal) or 1000 0010 0011 1110.

**Table 6. Serial Sensor Parameters Register Bit Definitions**

BIT	Description'															
0 (LSB)	set to zero (0).															
1	1 = power on sensor array ; 0 = power-down.															
2	1 = power up output amplifier 4; 0 = power-down.															
3	1 = power up output amplifier 3; 0 = power-down.															
4	1 = power up output amplifier 2; 0 = power-down.															
5	1 = power up output amplifier 1; 0 = power-down.															
6	3-bit code for subsampling mode of X shift register:															
7	000 = full resolution                      011 = select 4, skip 20															
8	001 = full resolution                      100 = select 4, skip 4															
	010 = full resolution                      101 = select 4, skip 8															
9	3-bit code for subsampling mode of Y-shift registers:															
10	000 = select 2, skip 2                      011 = select 2, skip 4															
11	001 = full resolution                      100 = select 2, skip 2															
	010 = select 2, skip 2                      101 = select 2, skip 2															
12	<p>Crossbar switch (output multiplexer) control bit initial value.  This initial value is clocked into the crossbar switch at a SYNC_YR rising edge pulse (when the array pointers jump back to row 1).  The crossbar switch control bit selects the correspondence between multiplexer busses and output amplifiers. Bus-to-output correspondence is according to the following table:</p> <table border="1"> <thead> <tr> <th><u>Bus</u></th> <th><u>when bit set to 0</u></th> <th><u>when bit set to 1</u></th> </tr> </thead> <tbody> <tr> <td>1</td> <td>output 1</td> <td>output 2</td> </tr> <tr> <td>2</td> <td>output 2</td> <td>output 1</td> </tr> <tr> <td>3 (4 outputs)</td> <td>output 3</td> <td>output 4</td> </tr> <tr> <td>4 (4 outputs)</td> <td>output 4</td> <td>output 3</td> </tr> </tbody> </table>	<u>Bus</u>	<u>when bit set to 0</u>	<u>when bit set to 1</u>	1	output 1	output 2	2	output 2	output 1	3 (4 outputs)	output 3	output 4	4 (4 outputs)	output 4	output 3
<u>Bus</u>	<u>when bit set to 0</u>	<u>when bit set to 1</u>														
1	output 1	output 2														
2	output 2	output 1														
3 (4 outputs)	output 3	output 4														
4 (4 outputs)	output 4	output 3														
13	1 = Toggle crossbar switch control bit on every odd/even line. In order to let green pixels always use the same output amplifier automatically, this bit must be set to 1. On every CLK_Y rising edge (when a new row is selected), the crossbar switch control bit will toggle. Initial value (after SYNC_Y) is set by bit 12.															
14	Not used.															
15 (MSB)	1 = Power-up sensor array; 0 = Power-down.															

Three pins are used for the serial data interface. This interface converts the serial data into an (internal) parallel data bus (Serial-Parallel Interface or SPI). The control lines are:

- DATA: The data input. LSB is clocked in first.
  - CLK: Clock, on each rising edge, the value of DATA is clocked in
  - CS: Chip select, a rising edge on CS loads the parallelized data into the on-chip register.
- The initial state of the register is undefined. However, no state exists that destroys the device.

## Package Information

### Pin Configuration

Table 7 lists the pin configuration of the IBIS4-14000. Figure 12 on page 18 shows the assignment of pin numbers on the package.

**Table 7. Pinout Configuration**

Pin #	Name	Function	Comment
1	OBIAS	Bias current output amplifiers	Connect with 10 kΩ to V <sub>DD</sub> and decouple with 100 nF to GND
2	GND	Ground for output 3	
3	OUT3	Output 3	
4	GND	Ground for output 4	
5	OUT4	Output 4	
6	VDD	Power supply	Nominal 3.3 V
7	GND	Ground	0 V
8	OUT2	Output 2	
9	GND	Ground for output 2	
10	OUT1	Output 1	
11	GND	Ground for output 1	
12	DARKREF	Offset level of output signal	Typ. 2.6 V. min. 1.7 V max. 3 V
13	TEMP1	Temperature sensor. Located near the output amplifiers (pixel 4536, 0) near the stitch line)	Any voltage above GND forward biases the diode. Connect to GND if not used
14	PHDIODE	Photodiode output. Yields the equivalent photocurrent of 250 x 50 pixels. Diode is located right under the pad	Reverse biased by any voltage above GND Connect to GND if not used.
15	CLK_Y	Y clock for switchboard	Clocks on rising edge Connect to CLK_YL (or drive identically)
16	SYNC_Y	Y SYNC pulse for switchboard	Low active: synchronous sync on rising edge of CLK_Y Connect to SYNC_YL (or drive identically)
17	TEMP2	Temperature sensor Located near pixel (24,0)	Any voltage above GND forward biases the diode Connect to GND if not used
18	GNDAB	Anti-blooming reference level (= pin 33)	Typ. 0 V. Set to 1.5 V for improved anti-blooming
19	GND	Ground	0 V
20	VDD	Power supply	Nominal 3.3 V
21	VDDR	Power supply for reset line drivers	Nominal 4 V Connected on-chip to pin 30
22	CLK_YR	Clock of YR shift register	Shifts on rising edge
23	SYR	Activate YR shift register for driving of reset and select line of pixel array	High active. Exact pulsing pattern see timing diagram. Both SYR = 1 and SYL = 1 is not allowed, except when the same row is selected
24	SYNC_YR	Sets the YR shift register to row 1	Low active. Synchronous sync on rising edge of CLK_YR 200 ns setup time
25	VDDARRAY	Pixel array power supply (= pin 26)	3 V
26	VDDARRAY	Pixel array power supply (= pin 25)	3 V
27	SYNC_YL	Sets the YL shift register to row 1	Low active. Synchronous sync on rising edge of CLK_YL 200 ns setup time
28	SYL	Activate YL shift register for driving of reset and select line of pixel array	High active. Exact pulsing pattern see timing diagram. Both SYR = 1 and SYL = 1 is not allowed, except when the same row is selected

**Table 7. Pinout Configuration**(continued)

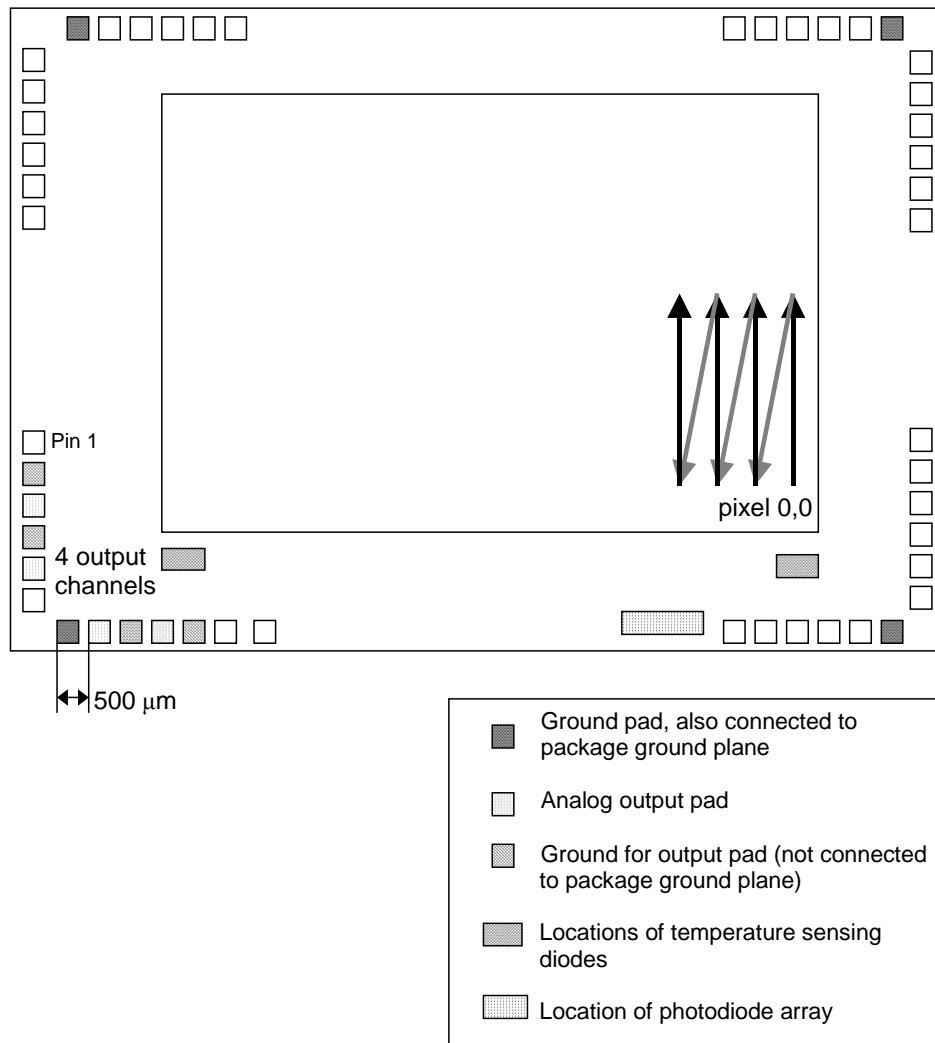
Pin #	Name	Function	Comment
29	CLK_YL	Clock of YL shift register	Shifts on rising edge
30	VDDR	Power supply for reset line drivers	Nominal 4 V Connected on-chip to pin 21
31	VDD	Power supply	Nominal 3.3 V
32	GND	Ground	0 V
33	GNDAB	Anti-blooming reference level (pin 33)	Typ. 0 V. Set to 1 V for improved anti-blooming
34	SELECT	Control select line of pixel array	High active. See timing diagrams
35	RESET	Reset of the selected row of pixels	High active. See timing diagrams
36	CBIAS	Bias current column amplifiers	Connect with 22 k $\Omega$ to V <sub>DD</sub> and decouple with 100 nF to GND
37	PCBIAS	Bias current	Connect with 22 k $\Omega$ to V <sub>DD</sub> and decouple with 100 nF to GND
38	DIN	Serial data input	16-bit word. LSB first
39	SCLK	SPI interface clock	Shifts on rising edge
40	CS	Chip select	Data copied to registers on rising edge
41	PC	Row initialization pulse	See timing diagrams
42	SYNC_X	Sets the X-shift register to row 1	Low active. Synchronous sync on rising edge of CLK_X 150 ns setup time
43	GND	Ground	0 V
44	VDD	Power supply	Nominal 3.3 V
45	CLK_X	Clock of YR shift register	Shifts on rising edge
46	SHR	Row track and hold reset level (1 = hold; 0 = track).	See timing diagram
47	SHS	Row track and hold signal level (1 = hold; 0 = track)	See timing diagram
48	XBIAS	Bias current X multiplexer	Connect with 10 k $\Omega$ to V <sub>DD</sub> and decouple with 100 nF to GND
49	ABIAS	Bias current pixel array	Connect with 10 M $\Omega$ to V <sub>DD</sub> and decouple with 100 nF to GND



**Geometry and Mechanical**

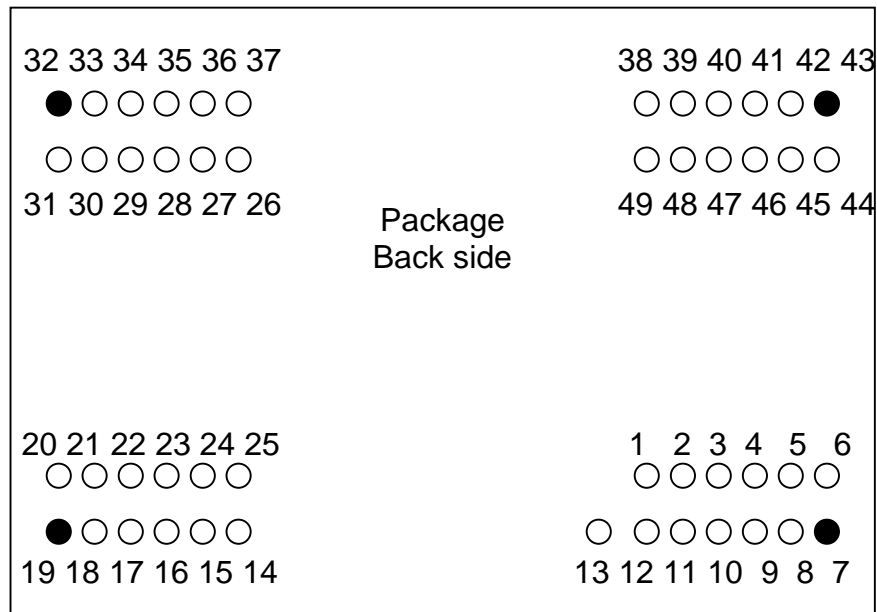
*Die Geometry*

**Figure 11. Die Geometry and Location of Pixel (0,0)**



Pin Number Assignment

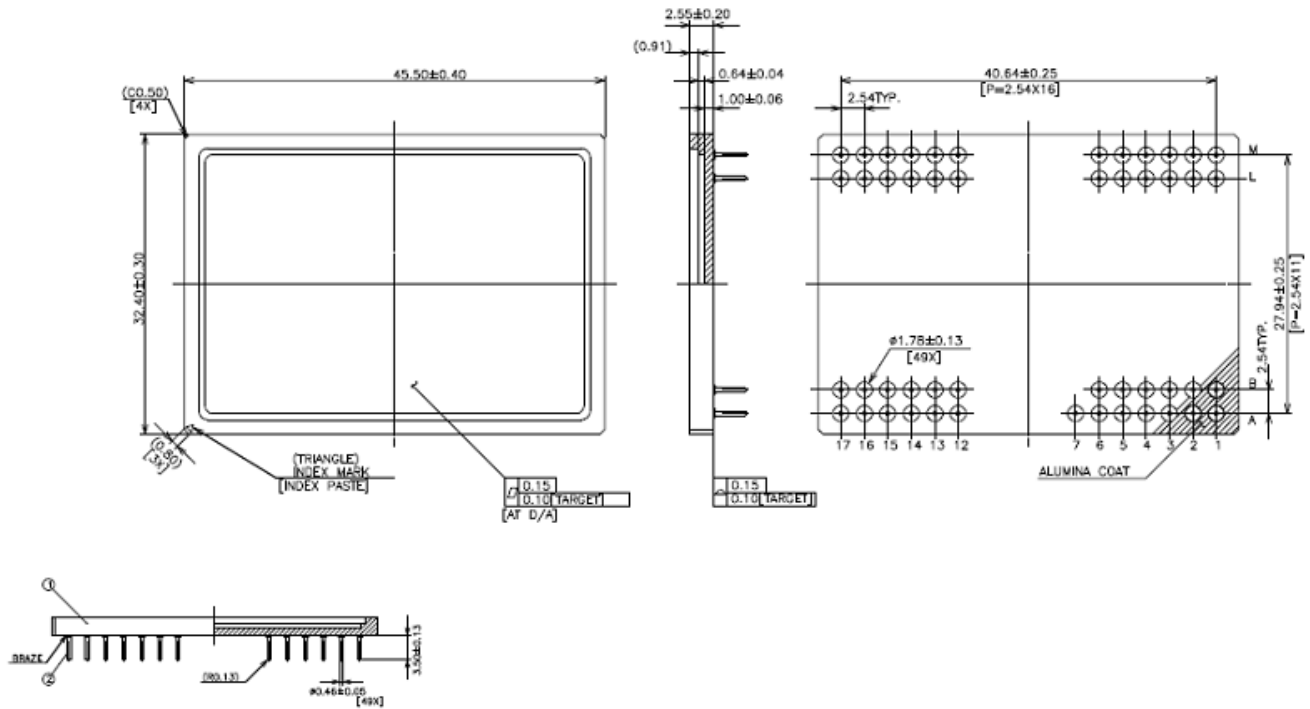
Figure 12. Pin Number Assignment



**Note** Pins in black are connected to die attach area for a proper ground plane.

Package Diagram

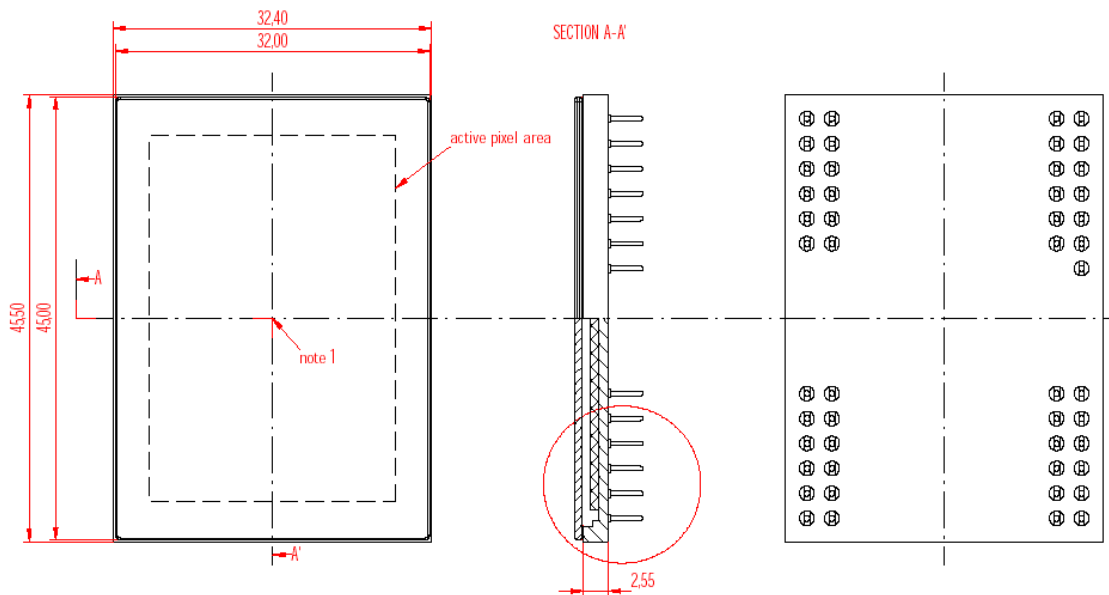
Figure 13. Package Dimensions

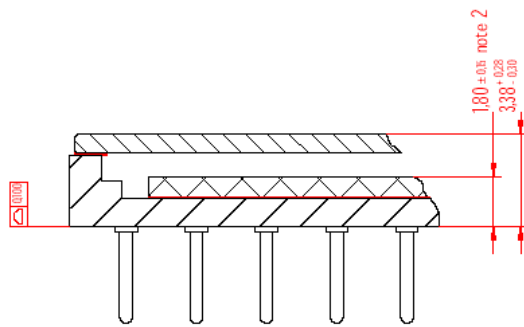


001-07577 \*B

Die Placement Dimensions and Accuracy

Figure 14. Die Placement



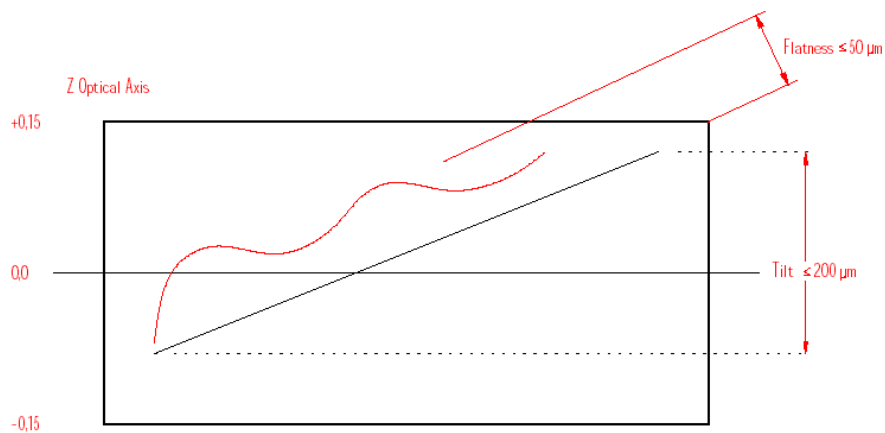


note:

1. CL of the active pixel area to be  $\pm 0,13$  in the X & Y of CL of the package
- CL of the coverglass to be  $\pm 0,30$  in the X & Y of CL of the package
2. Flatness and tilt of die surface (sheet 3)
3. Barcode label 128B, max 100  $\mu\text{m}$  on the bottom of package

all dimensions in mm

Figure 15. Tolerances



### Glass Lid

The CYII4SM014KAA-GEC device uses the glass lid with double sided AR coating.

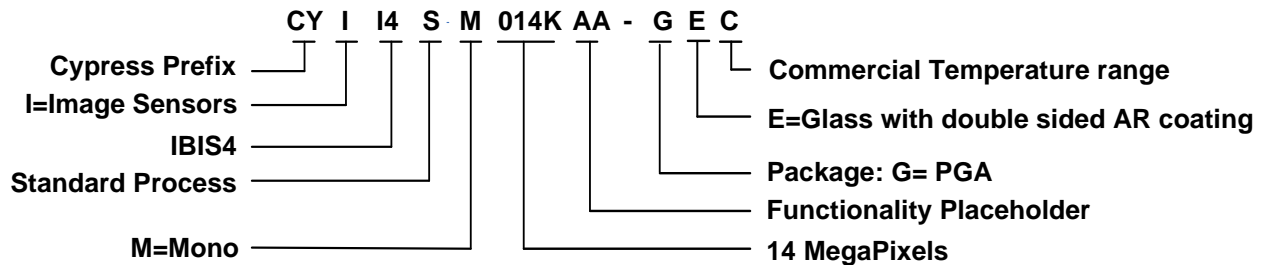
### Handling Precautions

For proper handling and storage conditions, refer to the Cypress application note [AN52561](#), *Image Sensor Handling and Best Practices*, at [www.cypress.com](http://www.cypress.com).

### Limited Warranty

Cypress Image Sensor Business Unit warrants that the image sensor products to be delivered hereunder if properly used and serviced, will conform to Seller's published specifications and will be free from defects in material and workmanship for one (1) year following the date of shipment. If a defect were to manifest itself within 1 (one) year period from the sale date, Cypress will either replace the product or give credit for the product.

### Ordering Code Definition



### Return Material Authorization (RMA)

Cypress packages all of its image sensor products in a clean room environment under strict handling procedures and ships all image sensor products in ESD-safe, clean room-approved shipping containers. Products returned to Cypress for failure analysis should be handled under these same conditions and packed in its original packing materials, or the customer may be liable for the product.

### Acceptance Criteria Specification

The Product Acceptance Criteria is available on request. This document contains the criteria to which the IBIS4-14000 is tested before being shipped. Contact [imagesensors@cypress.com](mailto:imagesensors@cypress.com) for more information.

## Acronyms

Acronym	Description
ADC	analog-to-digital converter
AFE	analog front end
ANSI	American National Standards Institute
BGA	ball grid array
BL	black pixel data
CDM	Charged Device Model
CDS	correlated double sampling
CIS	CMOS image sensor
CMOS	complementary metal oxide semiconductor
CMY	cyan magenta yellow
CRC	cyclic redundancy check
DAC	digital-to-analog converter
DDR	double data rate
DFT	design for test
DNL	differential nonlinearity
DSNU	dark signal nonuniformity
EIA	Electronic Industries Alliance
ESD	electrostatic discharge
FE	frame end
FF	fill factor
FOT	frame overhead time
FPN	fixed pattern noise
FPS	frames per second
FS	frame start
HBM	Human Body Model
HMUX	horizontal multiplexer
I2C	inter-integrated circuit
IEEE	Institute of Electrical and Electronics Engineers
IMG	regular pixel data

Acronym	Description
INL	integral nonlinearity
IP	intellectual property
JTAG	Joint Test Action Group
LE	line end
LS	line start
LSB	least significant bit
LVDS	low-voltage differential signaling
MBS	mixed boundary scan
MSB	most significant bit
MTF	modulation transfer function
NDR	nondestructive readout
NIR	near infrared
PGA	programmable gain amplifier
PLS	parasitic light sensitivity
PRBS	pseudo-random binary sequence
PRNU	pixel random nonuniformity
QE	quantum efficiency
RGB	red green blue
RMS	root mean square
ROI	region of interest
ROT	row overhead time
S/H	sample and hold
SNR	signal-to-noise ratio
SPI	serial peripheral interface
TAP	test access port
TBD	to be determined
TIA	Telecommunications Industry Association
TR	training pattern
uPGA	micro pin grid array

## Glossary

blooming	The leakage of charge from a saturated pixel into neighboring pixels.
camera gain constant	A constant that converts the number of electrons collected by a pixel into digital output (in DN). It can be extracted from photon transfer curves.
column noise	Variation of column mean signal strengths. The human eye is sensitive to line patterns so this noise is analyzed separately.
conversion gain	A constant that converts the number of electrons collected by a pixel into the voltage swing of the pixel. Conversion gain = $q/C$ where $q$ is the charge of an electron ( $1.602E-19$ Coulomb) and $C$ is the capacitance of the photodiode or sense node.
CDS	Correlated double sampling. This is a method for sampling a pixel where the pixel voltage after reset is sampled and subtracted from the voltage after exposure to light.
CFA	Color filter array. The materials deposited on top of pixels that selectively transmit color.
color crosstalk	The leakage of signal from one color channel into another when the imager is NOT saturated. The signal can leak through either optical means, in which a photon enters a pixel of the 'wrong' color, or electrical means, in which a charge carrier generated within one pixel diffuses into a neighboring pixel.
CRA	Chief ray angle. Oblique rays that pass through the center of a lens system aperture stop. Color filter array, metal, and micro lens shifts are determined by the chief ray angle of the optical system. In general, optical systems with smaller CRA are desired to minimize color artifacts
DN	Digital number. The number of bits (8, 12, 14, ...) should also be specified.
DNL	Differential nonlinearity (for ADCs)
DSNU	Dark signal nonuniformity. This parameter characterizes the degree of nonuniformity in dark leakage currents, which can be a major source of fixed pattern noise.
fill-factor	A parameter that characterizes the optically active percentage of a pixel. In theory, it is the ratio of the actual QE of a pixel divided by the QE of a photodiode of equal area. In practice, it is never measured.
grating monochromator	An instrument that produces a monochromatic beam of light. It typically consists of a broadband light source such as a tungsten lamp and a diffraction grating for selecting a particular wavelength.
INL	Integral nonlinearity (for ADCs)
luminance	Light flux per unit area in photometric units (lux)
IR	Infrared. IR light has wavelengths in the approximate range 750 nm to 1 mm.
irradiance	Light flux per unit area in radiometric units ( $W/m^2$ )
Lag	The persistence of signal after pixel reset when the irradiance changes from high to low values. In a video stream, lag appears as 'ghost' images that persist for one or more frames.
Lux	Photometric unit of luminance (at 550 nm, $1\text{lux} = 1\text{ lumen}/m^2 = 1/683\text{ W}/m^2$ )
NIR	Near Infrared. NIR is part of the infrared portion of the spectrum and has wavelengths in the approximate range 750 nm to 1400 nm.
pixel noise	Variation of pixel signals within a region of interest (ROI). The ROI typically is a rectangular portion of the pixel array and may be limited to a single color plane.
photometric units	Units for light measurement that take into account human physiology.
photon transfer	Measurement in which a bare imager (no external lens) is irradiated with uniform light from dark to saturation levels. Typically the source is collimated, monochromatic 550 nm light. Chapter 2 of J. Janesick's book, <i>Scientific Charge Coupled Devices</i> , describes the technique in detail.
PLS	Parasitic light sensitivity. Parasitic discharge of sampled information in pixels that have storage nodes.
PRNU	Photo-response nonuniformity. This parameter characterizes the spread in response of pixels, which is a source of FPN under illumination.
QE	Quantum efficiency. This parameter characterizes the effectiveness of a pixel in capturing photons and converting them into electrons. It is photon wavelength and pixel color dependent.
radiometric units	Units for light measurement based on physics.

read noise	Noise associated with all circuitry that measures and converts the voltage on a sense node or photodiode into an output signal.
reset	The process by which a pixel photodiode or sense node is cleared of electrons. Soft reset occurs when the reset transistor is operated below the threshold. Hard reset occurs when the reset transistor is operated above threshold.
reset noise	Noise due to variation in the reset level of a pixel. In 3T pixel designs, this noise has a component (in units of volts) proportionality constant depending on how the pixel is reset (such as hard and soft). In 4T pixel designs, reset noise can be removed with CDS.
responsivity	The standard measure of photodiode performance (regardless of whether it is in an imager or not). Units are typically A/W and are dependent on the incident light wavelength. Note that responsivity and sensitivity are used interchangeably in image sensor characterization literature so it is best to check the units.
reverse saturation	Phenomenon in which the signal level decreases with increasing light intensity. It typically occurs at irradiance levels much higher than saturation, such as an image taken of the sun.
ROI	Region of interest. The area within a pixel array chosen to characterize noise, signal, crosstalk, and so on. The ROI can be the entire array or a small subsection; it can be confined to a single color plane.
row noise	Variation of row mean signal strengths. The human eye is sensitive to line patterns, so this noise is analyzed separately.
sense node	In 4T pixel designs, a capacitor used to convert charge into voltage. In 3T pixel designs it is the photodiode itself.
sensitivity	A measure of pixel performance that characterizes the rise of the photodiode or sense node signal in Volts upon illumination with light. Units are typically $V/(W/m^2)/sec$ and are dependent on the incident light wavelength. Sensitivity measurements are often taken with 550 nm incident light. At this wavelength, $1\ 683\ lux = 1\ W/m^2$ ; the units of sensitivity are quoted in $V/lux/sec$ . Note that responsivity and sensitivity are used interchangeably in image sensor characterization literature so it is best to check the units.
shot noise	Noise that arises from measurements of discretised quanta (electrons or photons). It follows a Poisson distribution with the strength of the noise increasing as the square root of the signal.
spectral response	The photon wavelength dependence of sensitivity or responsivity.
SNR	Signal-to-noise ratio. This number characterizes the ratio of the fundamental signal to the noise spectrum up to half the Nyquist frequency.
temporal noise	Noise that varies from frame to frame. In a video stream, temporal noise is visible as twinkling pixels.
tint	Integration time.



## Document History Page

Document Title: CYII4SM014KAA IBIS4-14000 14-MegaPixel CMOS Image Sensor Document Number: 38-05709				
Rev.	ECN No.	Orig. of Change	Submission Date	Description of Change
**	310213	SIL	See ECN	Initial Cypress release
*A	428177	FVK	See ECN	Layout converted Figure 8 on page 11 updated Storage and handling section added IBIS4-14000-C added
*B	642656	FPW	See ECN	Ordering information update+package spec label. Moved figure captions to the top of the figures and moved notes to the bottom of the page per new template. Verified all cross-referencing. Moved the specifications towards the back. Corrected all variables on the Master pages.
*C	2220967	FPW	See ECN	Eval kit section is removed. Reference to Defect Spec is added. Defect description for a RCCA added.
*D	2765859	NVEA	09/18/09	Updated Ordering Information table
*E	3007128	NVEA	08/13/10	Updated Ordering Information table. Added Acronyms, Ordering Code Definition, and Glossary sections. Updated package diagram.
*F	3048272	NVEA	10/7/2010	Updated Ordering Information table. Pruned High grade version. Removed reference to color MPN. Edited <a href="#">Spectral Response Curve</a> . Revised section on <a href="#">Glass Lid</a> and <a href="#">Ordering Code Definition</a> .

## Sales, Solutions, and Legal Information

### Worldwide Sales and Design Support

Cypress offers standard and customized CMOS image sensors for consumer as well as industrial and professional applications. Consumer applications include solutions for fast growing high speed machine vision, motion monitoring, medical imaging, intelligent traffic systems, security, and barcode applications. Cypress's customized CMOS image sensors are characterized by very high pixel counts, large area, very high frame rates, large dynamic range, and high sensitivity.

Cypress maintains a worldwide network of offices, solution centers, manufacturer's representatives, and distributors. For more information on image sensors, contact [imagesensors@cypress.com](mailto:imagesensors@cypress.com).

© Cypress Semiconductor Corporation, 2005-2010. The information contained herein is subject to change without notice. Cypress Semiconductor Corporation assumes no responsibility for the use of any circuitry other than circuitry embodied in a Cypress product. Nor does it convey or imply any license under patent or other rights. Cypress products are not warranted nor intended to be used for medical, life support, life saving, critical control or safety applications, unless pursuant to an express written agreement with Cypress. Furthermore, Cypress does not authorize its products for use as critical components in life-support systems where a malfunction or failure may reasonably be expected to result in significant injury to the user. The inclusion of Cypress products in life-support systems application implies that the manufacturer assumes all risk of such use and in doing so indemnifies Cypress against all charges.

Any Source Code (software and/or firmware) is owned by Cypress Semiconductor Corporation (Cypress) and is protected by and subject to worldwide patent protection (United States and foreign), United States copyright laws and international treaty provisions. Cypress hereby grants to licensee a personal, non-exclusive, non-transferable license to copy, use, modify, create derivative works of, and compile the Cypress Source Code and derivative works for the sole purpose of creating custom software and or firmware in support of licensee product to be used only in conjunction with a Cypress integrated circuit as specified in the applicable agreement. Any reproduction, modification, translation, compilation, or representation of this Source Code except as specified above is prohibited without the express written permission of Cypress.

Disclaimer: CYPRESS MAKES NO WARRANTY OF ANY KIND, EXPRESS OR IMPLIED, WITH REGARD TO THIS MATERIAL, INCLUDING, BUT NOT LIMITED TO, THE IMPLIED WARRANTIES OF MERCHANTABILITY AND FITNESS FOR A PARTICULAR PURPOSE. Cypress reserves the right to make changes without further notice to the materials described herein. Cypress does not assume any liability arising out of the application or use of any product or circuit described herein. Cypress does not authorize its products for use as critical components in life-support systems where a malfunction or failure may reasonably be expected to result in significant injury to the user. The inclusion of Cypress' product in a life-support systems application implies that the manufacturer assumes all risk of such use and in doing so indemnifies Cypress against all charges.

Use may be limited by and subject to the applicable Cypress software license agreement.