

# LedEngin, Inc.

High Efficiency lens  
with 23° Narrow Flood Beam  
for 10 Watt emitters  
with holder



## LLNF-1T06-H

This Narrow Flood beam lens combined with LedEngin 10 watt single color emitters provides an efficient and highly uniform smooth light gradient for illumination applications.

Our unique design provides you with maximum luminous output and excellent beam uniformity.

### Key Features

- Smooth light gradient eliminates hot spots and rings for superior illumination.
- Designed specifically for 10 watt single color emitter series. Part numbers: LZ4-xxxx10
- Compatible with our standard MCPCB assemblies
- Optical grade PMMA lens material allows use of high current and temperature conditions
- Simple fastening of holder to PCB with appropriate adhesive, e.g. epoxy or polyurethane based.
- Patent pending

### Optical Specifications – Typical Values

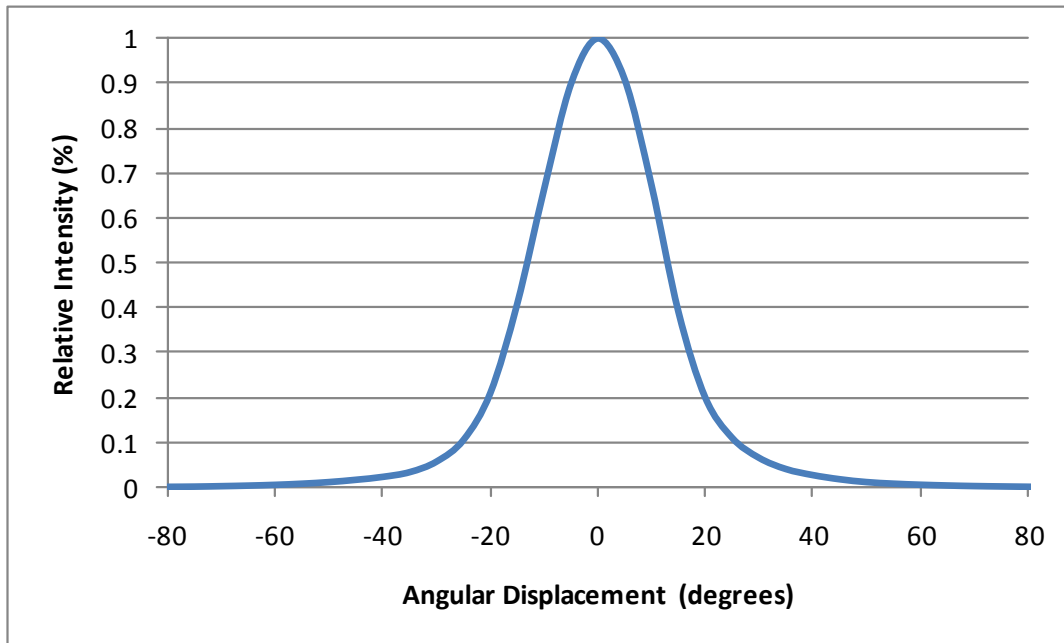
Parameter	Value
Viewing Angle (FWHM)	23°
Optical Efficiency	90%

### Mechanical Specifications

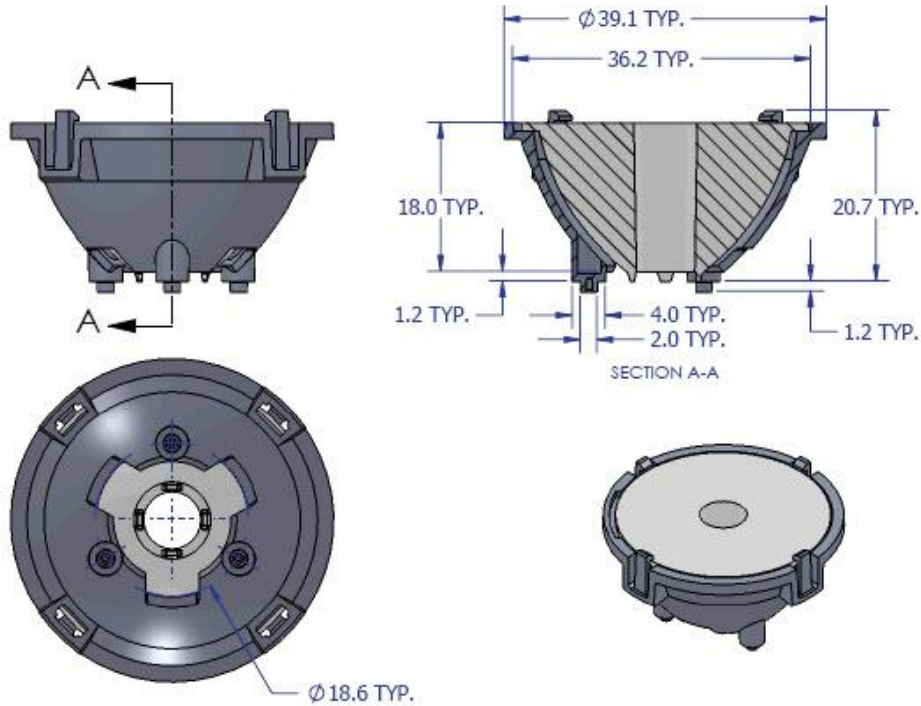
Parameter	Value
Height from Seating Plane	18.2mm
Maximum Width	38.9mm
Operating Temperature Range	-40°C ~ +110°C
Acceptable bonding materials*	Epoxy or polyurethane-based adhesives

\*note: do not use a cyanoacrylate (superglue) adhesive to avoid lens contamination!

## Typical Relative Intensity over Angle



## Outline Dimensions



## Contact Information

LedEngin, Inc.  
3350 Scott Boulevard, Building #9  
Santa Clara, CA 95054 USA

Tel: +1 (408) 492-0620  
E-mail: [Sales@ledengin.com](mailto:Sales@ledengin.com)  
Website: [www.ledengin.com](http://www.ledengin.com)