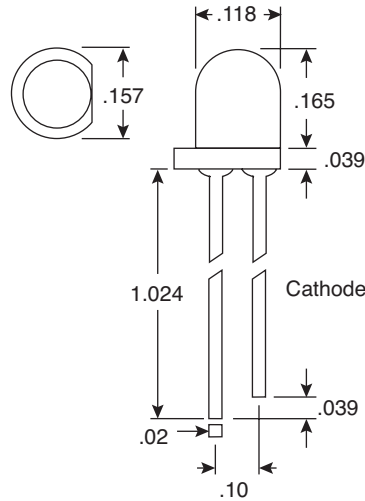




# T-1 Super Bright LED Lamps

# 351-3231, 351-3241, 351-3251

### Dimensions (In.)



### ■ ABSOLUTE MAXIMUM RATINGS (Ta=25°C)

Parameter	351-3231	351-3241	351-3251
Power Dissipation (mW):	100	100	75
Forward Current (mA):	30	30	30
Peak Forward Current (mA) (Duty 1/10@ 10KHz):	100	120	60
Reverse Current @ 5V (µA):	10	10	10
Operating Temperature Range:	-40°C to +85°C	-40°C to +85°C	-40°C to +85°C
Storage Temperature Range:	-40°C to +100°C	-40°C to +100°C	-40°C to +100°C
Lead Soldering Temperature:	.079 from body 260°C for 5 sec.	.079 from body 260°C for 5 sec.	.079 from body 260°C for 5 sec.

### ■ ELECTRICAL CHARACTERISTICS (Ta=25°C)

Characteristics	351-3231	351-3241	351-3251
Dice Material:	GaAlAs	GaP	AlGaInP
Emitted Light Color:	Red	Green	Yellow
Lens Color:	Red Transparent	Green Transparent	Yellow Transparent
Forward Voltage (V) @ 20mA:	1.5 Typ./2.4 Max.	1.7 Typ./2.6 Max.	1.7 Typ./2.6 Max.
Peak Wavelength (nm):	660	565	590
Luminous Intensity (mcd) @ 10mA:	220 Min./350 Typ.	120 Min./220 Typ.	300 Min./450 Typ.
Viewing Angle:	30°	30°	30°



XICON PASSIVE COMPONENTS • (800) 628-0544

XC-600101

Date Revised: 3/6/06

Specifications are subject to change without notice. No liability or warranty implied by this information. Environmental compliance based on producer documentation.