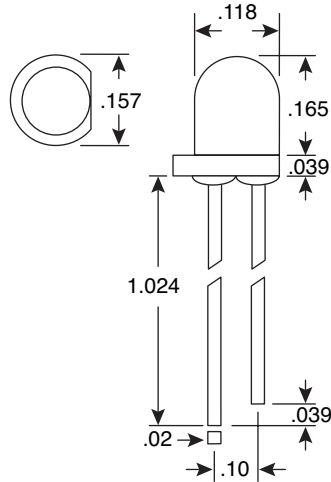




T-1 Super Bright LED Lamp

351-3232, 351-3242



■ SPECIFICATIONS

Characteristics	351-3232	351-3242	351-3252
Reverse Current @ 5V:	10 μ A	10 μ A	10 μ A
Operating Temperature Range:	-40°C ~ +85°C	-40°C ~ +85°C	-40°C ~ +85°C
Storage Temperature Range:	-40°C ~ +100°C	-40°C ~ +100°C	-40°C ~ +100°C
Lead Solder Temperature:	.079" body 260°C for 5 sec.	.079" body 260°C for 5 sec.	.079" body 260°C for 5 sec.
Viewing Angle:	36°	36°	36°

■ ELECTRICAL CHARACTERISTICS (Ta=25°C)

Characteristics	351-3232	351-3242	351-3252
Dice Material:	GaAlAs	GaP	AlGaInP
Emitted Light Color:	Red	Green	Yellow
Lens Color:	Red Diffused	Green Diffused	Yellow Diffused
Forward Voltage (V) @ 20mA:	1.5 Typical / 2.4 Maximum	1.7 Typical / 2.6 Maximum	1.7 Typical / 2.6 Maximum
Peak Wavelength (nm):	660	565	590
Luminous Intensity (mcd) @ 10mA:	90 Minimum / 160 Typical	50 Minimum / 90 Typical	120 Minimum / 220 Typical
Power Dissipation Max. (mW):	100	100	75
Forward Current Max. (mA)	30	30	30
Peak Forward Current Max. (mW)	100	120	60

