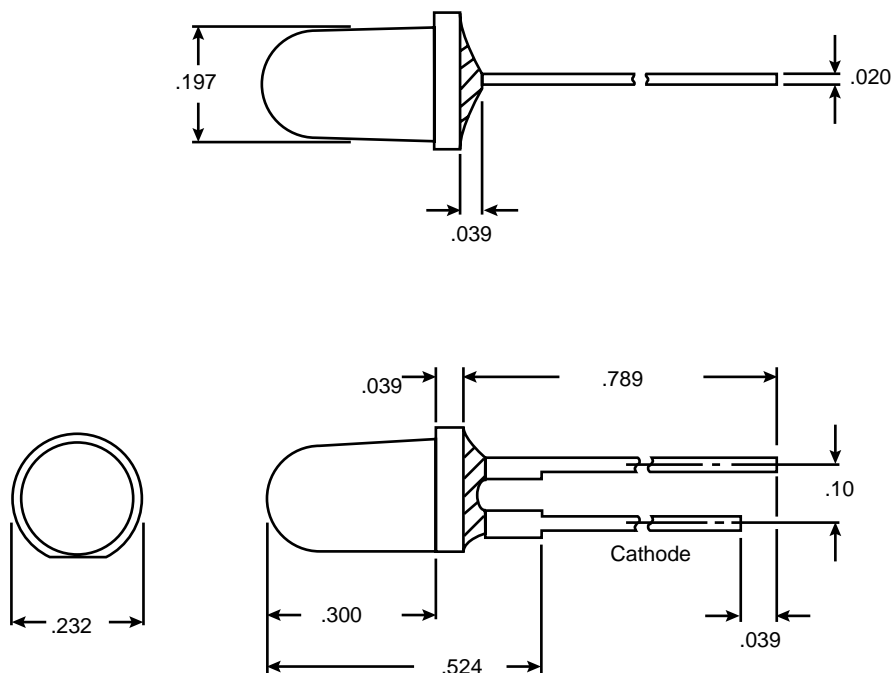


Dimensions (In.)



Absolute Maximum Ratings (Ta=25°C)

Parameter	351-5001	351-5003	351-5004
Power dissipation (mW)	80	100	100
DC forward current (mA)	40	30	30
Peak forward current (mA)	200	120	80
Reverse voltage (V)	5	5	5
Operating and storage temperature range	-40°C to +100°C		
Lead soldering temperature 0.063" below package (case) 260°C for 5 seconds			

Electrical Characteristics (Ta=25°C)

Mouser Stock No.	Dice Material	Emitted Light Color	Lens	Forward Voltage (V)		Reverse Current (uA)	Peak Wavelength (nm)	Luminous Intensity (mcd)		Viewing Angle
				Typ	Max			Min	Typ	
351-5001	GaAsP/GaAs	Red	Red Diff	1.7	2.0	100	655	0.5	1.0	130°
351-5003	GaP	Green	Green Diff	2.1	2.8	100	565	3.5	6.5	130°
351-5004	GaAsP/GaP	Yellow	Yellow Diff	2.0	2.8	100	585	3.0	6.0	130°

• T-1 3/4 Standard size: 5mm