

# CERAMIC SMD MICROPROCESSOR CRYSTAL

ABM2

Pb in Glass  
(exempt per RoHS 2002/95/EC Annex (5))

RoHS  
Compliant



8.0 x 4.5 x 1.4mm

## FEATURES:

- Low in height; suitable for thin equipment
- Glass sealed package assures high reliability and high temperature operation
- Tight tolerance and stability available
- Suitable for RoHS compliant reflow
- Low cost glass sealed crystal solution

## APPLICATIONS:

- High density applications
- Modems, communication and test equipment
- PCMCIA, Wireless applications
- Microprocessor crystals

## STANDARD SPECIFICATIONS:

Parameters	Minimum	Typical	Maximum	Units	Notes
Frequency Range	8.000 (*)	-----	100.000 (*)		Fundamental
Operation mode	8.000	-----	40.000	MHz	Fundamental AT-cut (Standard)
	40.001	-----	100.000		3 <sup>rd</sup> OT AT-cut (Standard)
	40.001	-----	60.000 (*)		Fundamental AT-cut (See options)
Operating Temperature	-10	-----	+60	°C	See options
Storage Temperature	-40	-----	+85	°C	
Frequency Tolerance @+25°C	-50	-----	+50	ppm	See options
Frequency Stability over the Operating Temperature ( ref. to +25°C)	-50	-----	+50	ppm	See options
Equivalent series resistance	See table 1 below			Ω	-----
Shunt capacitance (C0)	-----	-----	7	pF	-----
Load capacitance (CL)	-----	18	-----	pF	See options
Drive Level	-----	10	100	μW	
Aging @ 25°C±3°C	-----	-----	±5	ppm	First year
Insulation Resistance	500	-----	-----	MΩ	@ 100Vdc

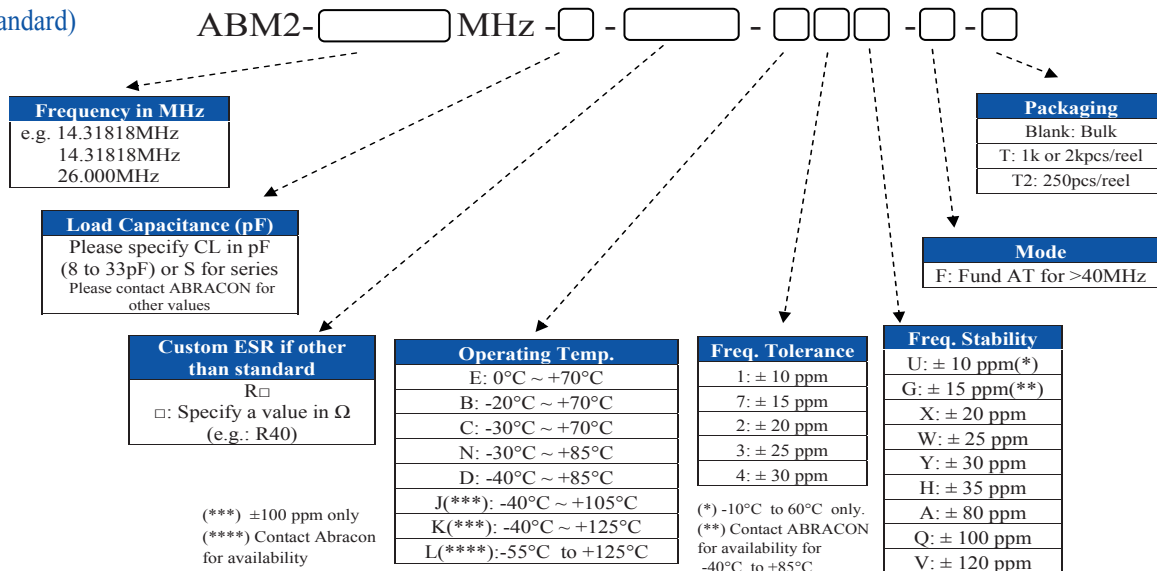
(\*) Frequency between 50MHz and 60MHz for fundamental, below 7MHz based on availability. Please contact ABRACON.

Table 1

Frequency (MHz)	ESR(Ω) max.	Operation Mode
7.000 – 9.999	80	Fundamental
10.000 – 15.999	60	Fundamental
16.000 – 60.000	50	Fundamental
40.000 – 100.000	70	3 <sup>rd</sup> Overtone

## OPTIONS AND PART IDENTIFICATION:

(Left blank if standard)



# CERAMIC SMD MICROPROCESSOR CRYSTAL

ABM2

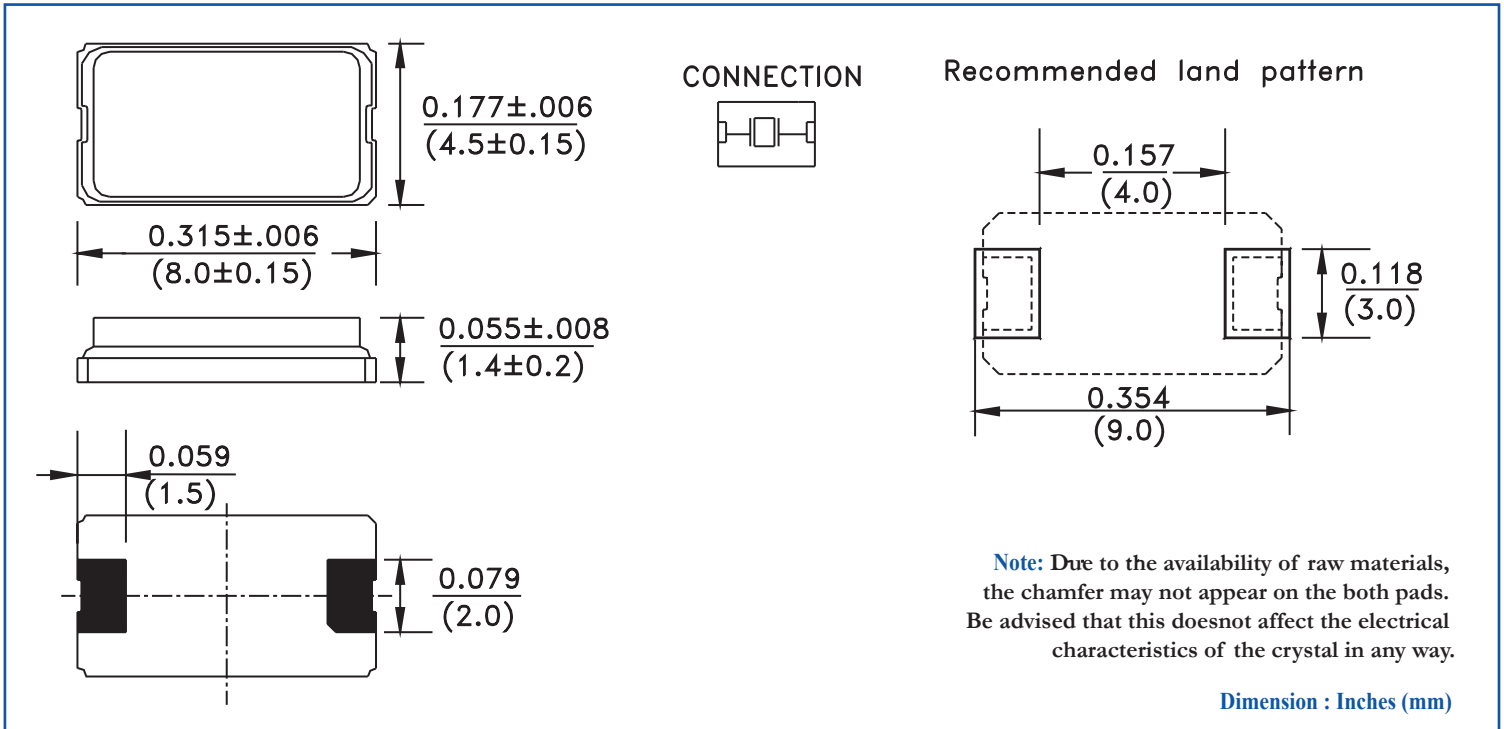
Pb in Glass  
(exempt per RoHS 2002/95/EC Annex (5))

RoHS  
Compliant

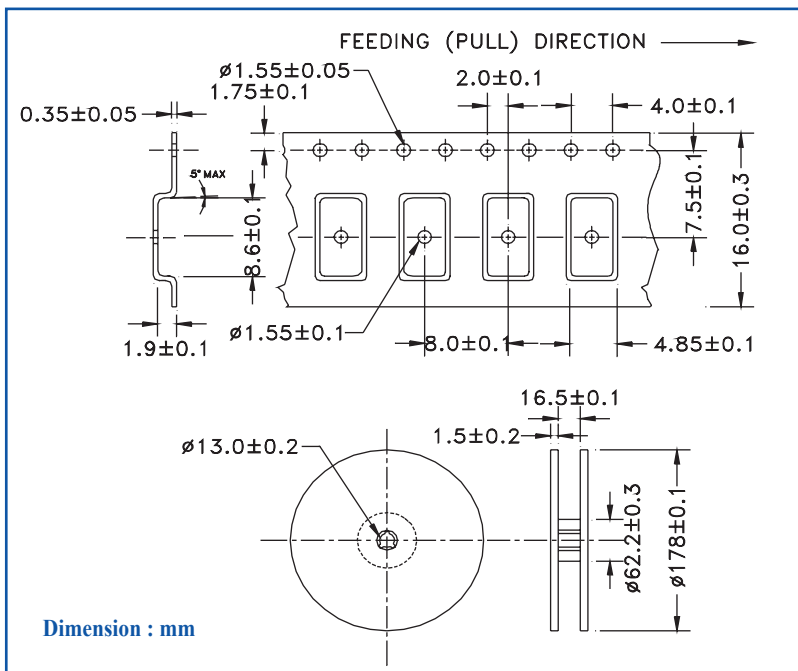


8.0 x 4.5 x 1.4mm

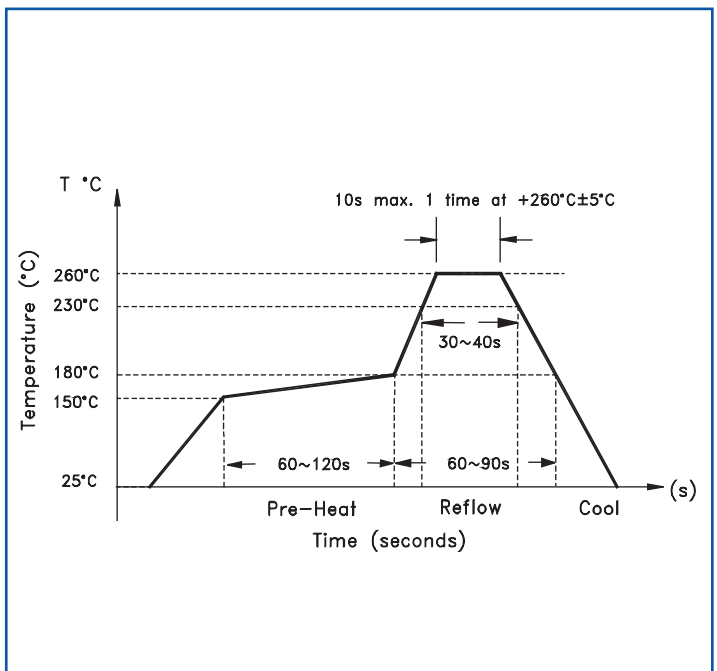
## OUTLINE DRAWING:



## TAPE & REEL: Tape and reel 1,000pcs/reel



## REFLOW PROFILE



**Need a test socket for the ABM2 Series? To view compatible PRECISION TEST & BURN-IN SOCKETS for these parts, [click here.](#)**

**ATTENTION:** Abracon Corporation's products are COTS – Commercial-Off-The-Shelf products; suitable for Commercial, Industrial and, where designated, Automotive Applications. Abracon's products are not specifically designed for Military, Aviation, Aerospace, Life-dependant Medical applications or any application requiring high reliability where component failure could result in loss of life and/or property. For applications requiring high reliability and/or presenting an extreme operating environment, written consent and authorization from Abracon Corporation is required. Please contact Abracon Corporation for more information.

ABRACON IS  
ISO9001:2008  
CERTIFIED



**ABRACON  
CORPORATION**

Visit [www.abracon.com](http://www.abracon.com) for Terms & Conditions of Sale **Revised: 01.05.10**  
30332 Esperanza, Rancho Santa Margarita, California 92688  
tel 949-546-8000 | fax 949-546-8001 | [www.abracon.com](http://www.abracon.com)