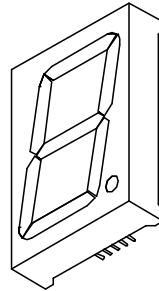
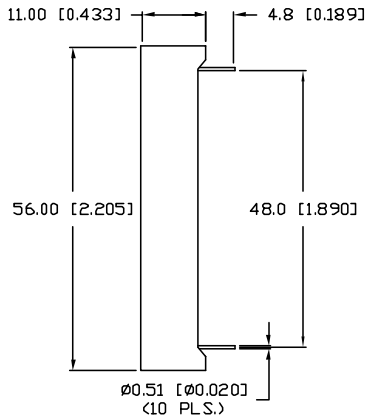
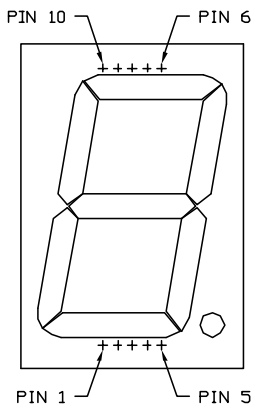
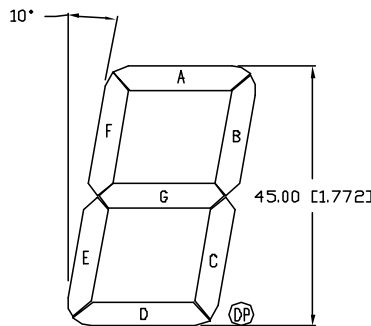
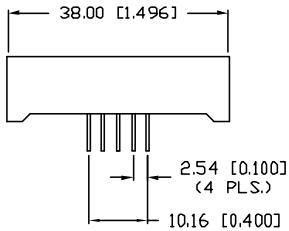


UNCONTROLLED DOCUMENT



DIGIT DETAIL



|             |                                     |         |
|-------------|-------------------------------------|---------|
| PART NUMBER |                                     | REV.    |
| LDS-AA184R0 |                                     | A       |
| REV.        | E.C.N. NUMBER AND REVISION COMMENTS | DATE    |
| A           | E.C.N. #10BRDR. & REDRAWN.          | 10.5.00 |

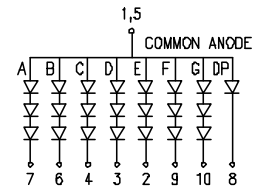
| ELECTRO-OPTICAL CHARACTERISTICS $T_A=25^\circ\text{C}$ $I_f=10\text{mA}$ |              |         |         |                |                      |
|--|--------------|---------|---------|----------------|----------------------|
| PARAMETER  | MIN          | TYP     | MAX     | UNITS          | TEST COND            |
| PEAK WAVELENGTH  |              | 635     |         | nm             |                      |
| FORWARD VOLTAGE *  |              | 6.0/2.0 | 7.5/2.5 | $V_f$          |                      |
| REVERSE VOLTAGE  | 5.0          |         |         | $V_r$          | $I_f=100\mu\text{A}$ |
| AXIAL INTENSITY  |              | 5000    |         | $\mu\text{cd}$ | $I_f=10\text{mA}$    |
| EMITTED COLOR:   | RED          |         |         |                |                      |
| FACE COLOR:  | RED          |         |         |                |                      |
| SEGMENT COLOR:   | RED DIFFUSED |         |         |                |                      |

\* SECOND VALUE FOR SINGLE CHIP IN DECIMAL POINT.

LIMITS OF SAFE OPERATION AT 25°C PER DIE

| PARAMETER                | MAX        | UNITS      |
|--------------------------|------------|------------|
| PEAK FORWARD CURRENT*    | 150        | mA         |
| STEADY CURRENT           | 30         | mA         |
| POWER DISSIPATION        | 105        | mW         |
| DERATE FROM 25°C         | -1.2       | mW/°C      |
| OPERATING, STORAGE TEMP. | -40 TO +85 | °C         |
| SOLDERING TEMP.          | +260       | °C         |
| 2.0mm FROM BODY          |            | 3 SEC. MAX |

\*  $t < 10\mu\text{s}$



\*UNLESS OTHERWISE SPECIFIED TOLERANCES PER DECIMAL PRECISION ARE: X=±1 (±0.038), XX=±0.5 (±0.020), XXX=±0.25 (±0.010), XXXX=±0.127 (±0.005). LEAD SIZE=±0.05 (±0.002), LEAD LENGTH=±0.75 (±0.030), NN=  $\frac{+0.00}{-0.00}$  DECIMAL PRECISION MAX. =  $\frac{+0.00}{-0.00}$  DECIMAL PRECISION

|  |                            |   |  |
|--|----------------------------|---|--|
| REV.<br>A  | PART NUMBER<br>LDS-AA184R0 | <p>CONFIDENTIAL INFORMATION</p> <p>THE INFORMATION CONTAINED IN THIS DOCUMENT IS THE PROPERTY OF LUMEX INC. EXCEPT AS SPECIFICALLY AUTHORIZED IN WRITING BY LUMEX INC., THE HOLDER OF THIS DOCUMENT SHALL KEEP ALL INFORMATION CONTAINED HEREIN CONFIDENTIAL AND SHALL PROTECT SAME IN WHOLE OR IN PART FROM DISCLOSURE AND DISSEMINATION TO ALL THIRD PARTIES.</p> <p>RELIABILITY NOTE</p> <p>OUR MANY YEARS OF EXPERIENCE DATA ACCUMULATION INDICATE THAT SOLDER HEAT IS A MAJOR CAUSE OF EARLY AND FUTURE FAILURE. PLEASE PAY ATTENTION TO YOUR SOLDERING PROCESS.</p> | <p><b>LUMEX</b><br/>INCORPORATED</p> <p>290 E. HELLEN ROAD<br/>PALATINE, ILLINOIS 60067<br/>PHONE: (847) 359-2790<br/>WEB: <a href="http://www.lumex.com">http://www.lumex.com</a></p> |
| 1.8" SINGLE DIGIT, SEVEN SEGMENT, LED DISPLAY, 635nm RED CHIPS, RED FACE WITH RED SEGMENTS, COMMON ANODE, RIGHT DECIMAL PLACE. |                            | DRAWN BY: BC  | CHECKED BY:  |
|  |                            | APPROVED BY:  | DATE: 11.29.96   |
|  |                            |   | PAGE: 1 OF 1   |
|  |                            |   | SCALE: N/A   |

UNCONTROLLED DOCUMENT