



MODEL NO: 11-21UBGC/TR8  
**1206 Package Chip LEDs with Inner Lens**

Device Number : DSE-111-037 REV. 1.0

ECN : \_\_\_\_\_ Page: 1/8

**Features :**

- Package in 8mm tape on 7" diameter reel.
- Compatible with automatic placement equipment.
- Compatible with infrared and vapor phase reflow solder process.
- Mono-color type.

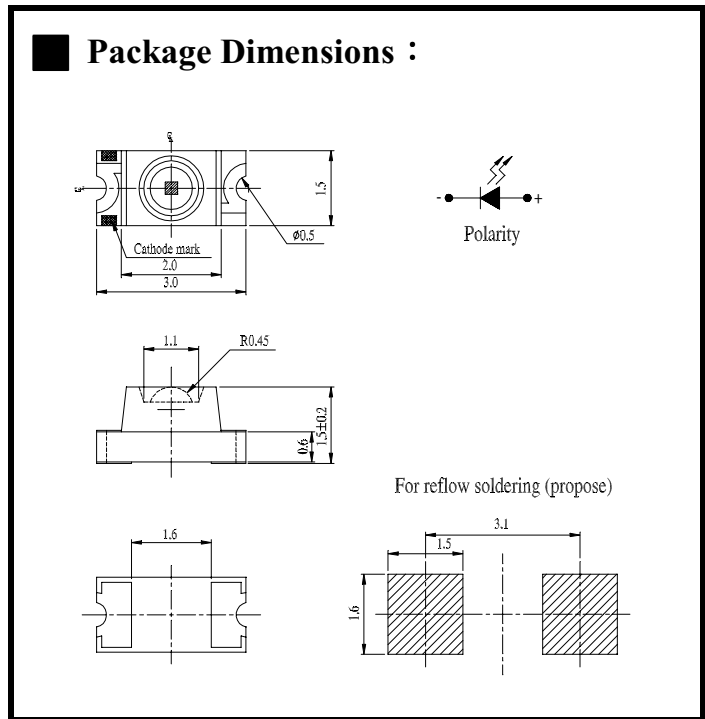
**Descriptions :**

- The 11-21 SMD Taping is much smaller than lead frame type components, thus enable smaller board size, higher packing density, reduced storage space and finally smaller equipment to be obtained.
- Besides, lightweight makes them ideal for miniature applications, etc.

**Applications :**

- Automotive: backlighting in dashboard and switch.
- Telecommunication: indicator and backlighting in telephone and fax.
- Flat backlight for LCD, switch and symbol.
- General use.

**Package Dimensions :**



**Notes :**

Tolerances Unless Dimension  $\pm 0.1\text{mm}$   
 Angle  $\pm 0.5^\circ$  Unit = mm

PART NO	Chip		Lens Color
	Material	Emitted Color	
11-21UBGC/TR8	InGaN/SiC	Super Blue Green	Water Clear

OFFICE: NO. 25, Lane 76, Sec.3, Chung Yang Rd., Tucheng 236, Taipei, Taiwan, R.O.C.

TEL.: 886-2-2267-2000, 2267-9936

FAX: 886-2-2267-6244, 2267-6189, 2267-6306

http: //www.everlight.com

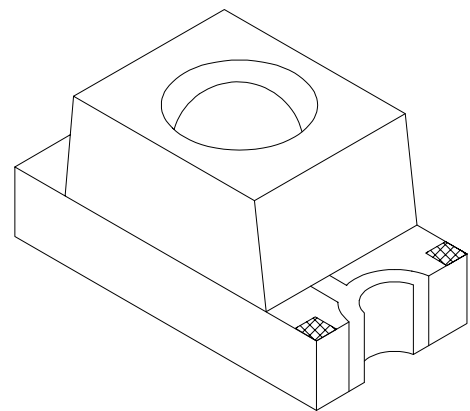
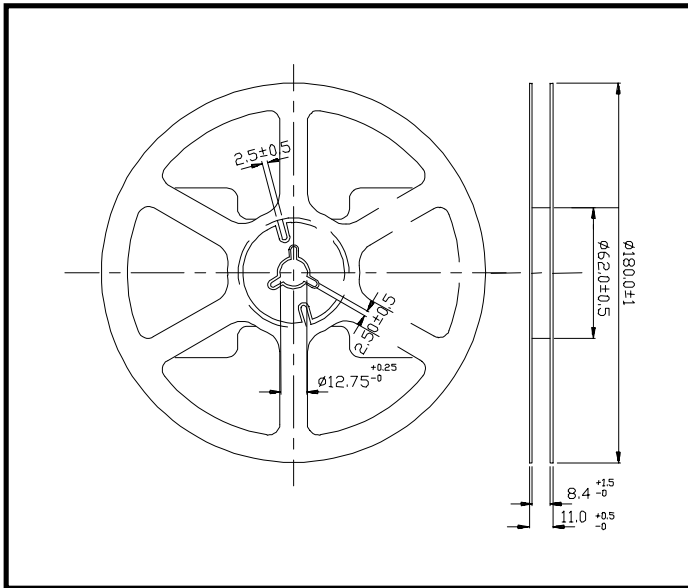


MODEL NO: 11-21UBGC/TR8  
**1206 Package Chip LEDs with Inner Lens**

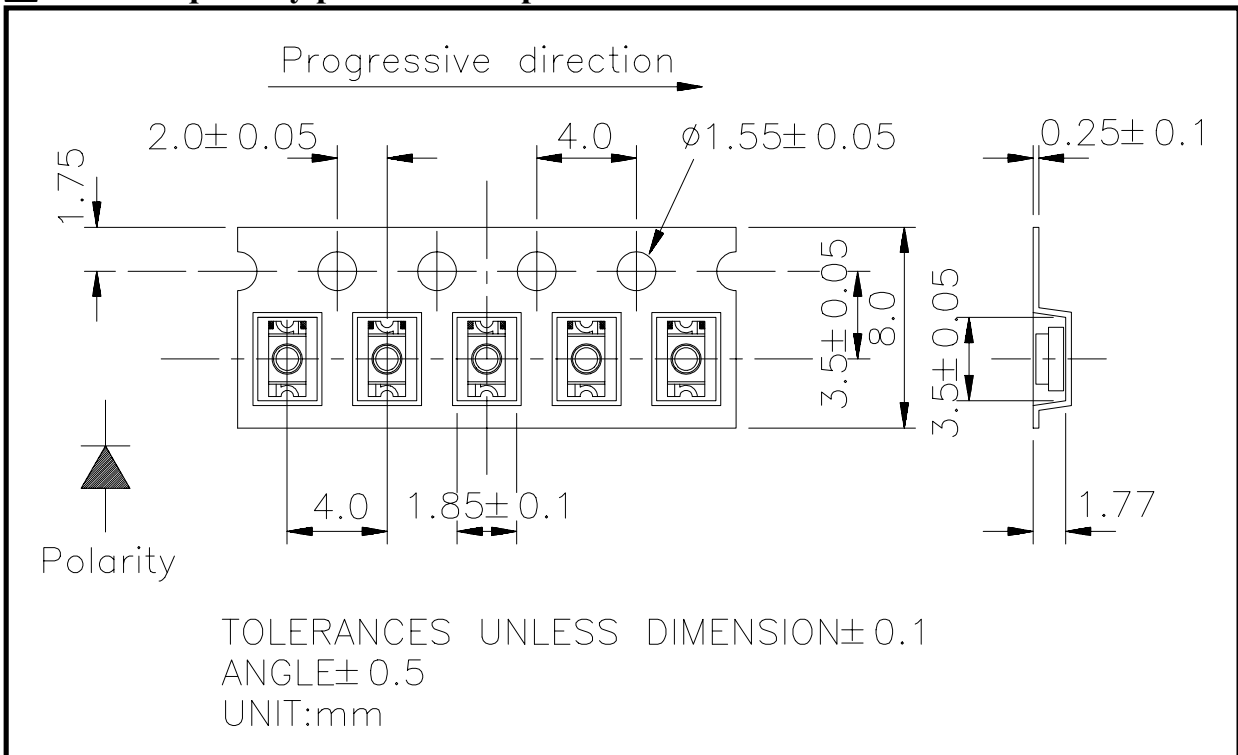
Device Number : DSE-111-037 REV. 1.0

ECN : \_\_\_\_\_ Page: 2/8

■ **Package Dimensions :**



■ **Loaded quantity per reel 2000 pcs/reel :**



MODEL NO: 11-21UBGC/TR8  
**1206 Package Chip LEDs with Inner Lens**Device Number : DSE-111-037 REV. 1.0ECN : \_\_\_\_\_ Page: 3/8**■ Absolute Maximum Ratings at Ta = 25°C**

Parameter	Symbol	Rating	Unit
Reverse Voltage	Vr	5	V
Forward Current	If	30	mA
Operating Temperature	Topr	-20 ~ +80	°C
Storage Temperature	Tstg	-30 ~ +90	°C
Soldering Temperature	Tsol	260 (for 5 second)	°C
Electrostatic Discharge	ESD	1000	V
Power Dissipation	Pd	120	mW
Peak Forward Current(Duty 1/10 @ 1KHZ)	If(Peak)	100	mA

**■ Electronic Optical Characteristics :**

Parameter	Symbol	Min.	Typ.	Max.	Unit	Condition
Luminous intensity	Iv	-----	6	-----	mcd	If=2mA
		60	103	-----	mcd	If=20mA
Viewing Angle	2θ 1/2	-----	20	-----	deg	If=20mA
Peak Wavelength	λp	-----	502	-----	nm	If=20mA
Dominant Wavelength	λd	-----	505	-----	nm	If=20mA
Spectrum Radiation Bandwidth	Δλ	-----	30	-----	nm	If=20mA
Forward Voltage	Vf	-----	3.5	4.0	V	If=20mA
Reverse Current	Ir	-----	-----	10	μA	Vr=5V



MODEL NO: 11-21UBGC/TR8  
**1206 Package Chip LEDs with Inner Lens**

Device Number : DSE-111-037 REV. 1.0

ECN : \_\_\_\_\_ Page: 4/8

■ **Reliability Test Item And Condition**

NO	Item	Test Conditions	Test Hours/Cycle	Sample Size	Ac/Re
1	Solder Heat	TEMP : 260°C ± 5 °C	5 SEC	76 Pcs	0/1
2	Temperature Cycle	H : +85°C 30min ∩ 5 min L : -55°C 30min	50 CYCLE	76 Pcs	0/1
3	Thermal Shock	H : +100°C 5min ∩ 10 sec L : -10°C 5min	50 CYCLE	76 Pcs	0/1
4	High Temperature Storage	TEMP : 100°C	1000 HRS	76 Pcs	0/1
5	Low Temperature Storage	TEMP : -55°C	1000 HRS	76 Pcs	0/1
6	DC Operating Life	If = 20 mA	1000 HRS	76 Pcs	0/1
7	High Temperature / High Humidity	85°C/85% RH	1000 HRS	76 Pcs	0/1

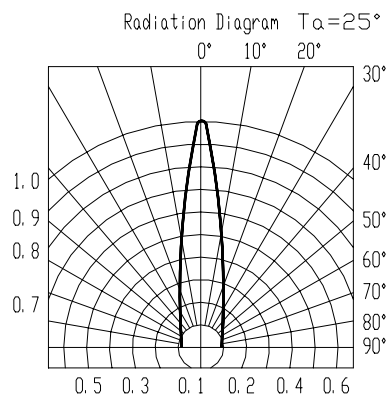
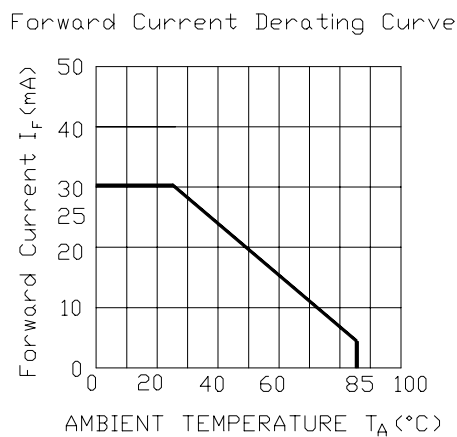
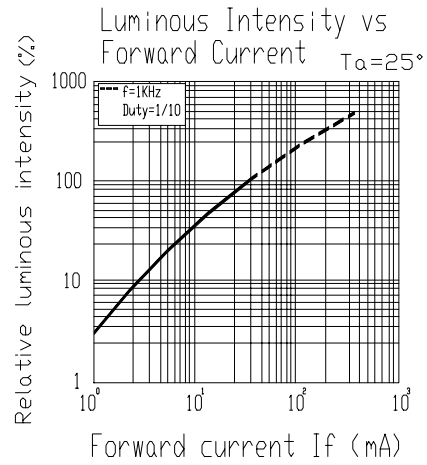
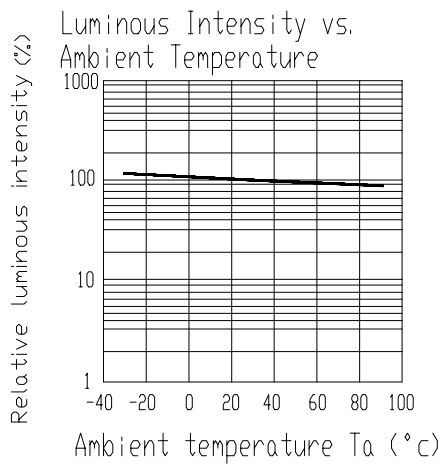
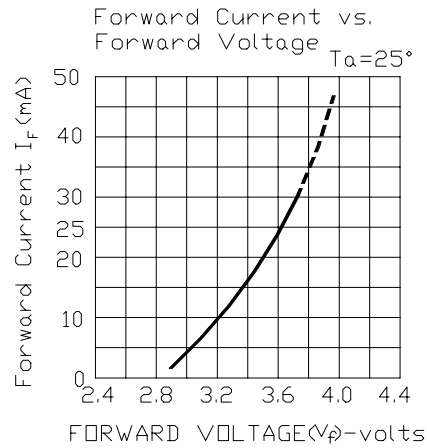
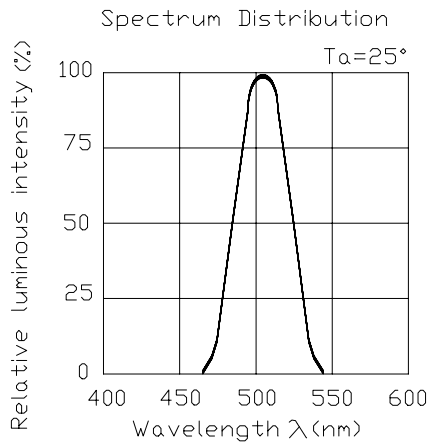


MODEL NO: 11-21UBGC/TR8  
**1206 Package Chip LEDs with Inner Lens**

Device Number : DSE-111-037 REV. 1.0

ECN : \_\_\_\_\_ Page: 5/8

### Typical Electro-Optical Characteristic Curves



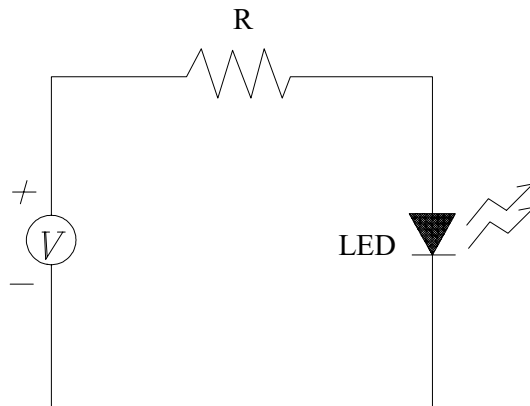


MODEL NO: 11-21UBGC/TR8  
**1206 Package Chip LEDs with Inner Lens**

Device Number : DSE-111-037 REV. 1.0

ECN : \_\_\_\_\_ Page: 6/8

### ■ Test Circuit



### ■ Precautions For Use

#### 1. Over-current-proof

Customer must apply resistors for protection , otherwise slight voltage shift will cause big current change ( Burn out will happen ).

#### 2. Storage time

2.1 The operation of temperature and R.H. are :  $5^{\circ}\text{C}\sim 35^{\circ}\text{C}$  , R.H.60%.

2.2 Once the package is opened, the products should be used within a week.  
Otherwise, they should be keeping in a damp proof box with desiccants.  
Considering the tape life , we suggest our customers to use our products within a year(from production date).

2.3 If opened more than one week in an atmosphere  $5^{\circ}\text{C}\sim 35^{\circ}\text{C}$  , R.H.60%, they should be treated at  $60^{\circ}\text{C} \pm 5^{\circ}\text{C}$  for 15hrs.

2.4 When you discover that the desiccant in the package has a pink color (Normal = blue) , you should treat them in the same conditions as 2.3.

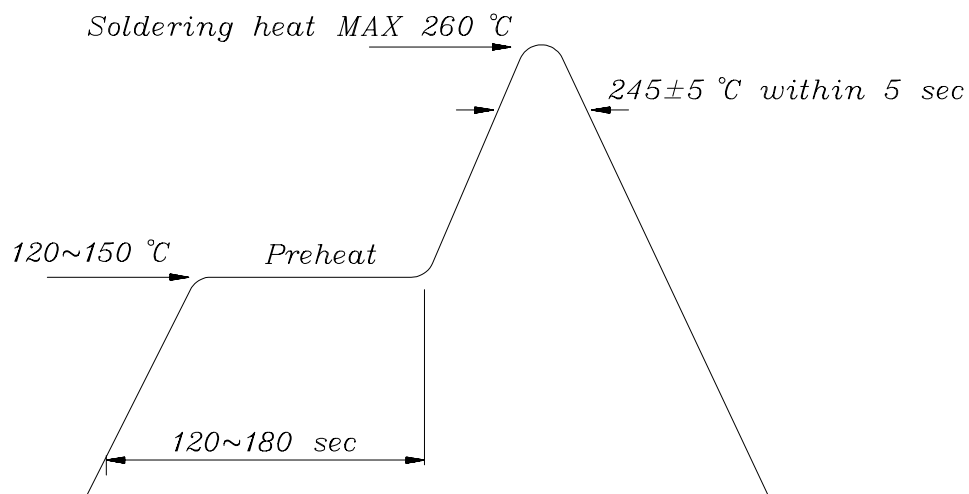
MODEL NO: 11-21UBGC/TR8  
**1206 Package Chip LEDs with Inner Lens**

Device Number : DSE-111-037 REV. 1.0

ECN : \_\_\_\_\_ Page: 7/8

■ **Soldering heat reliability ( DIP )**

Please refer to the following figure :

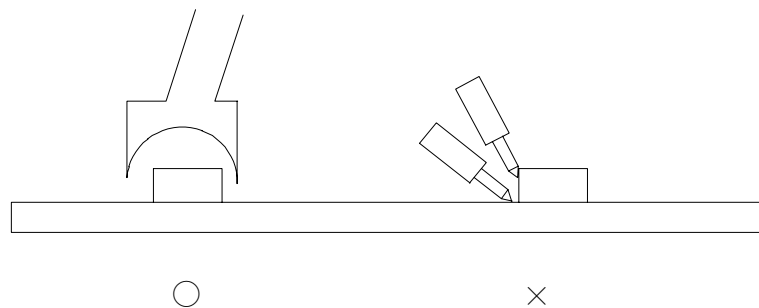


■ **Soldering Iron**

Basic spec is  $\leq 5$  sec when  $260^{\circ}\text{C}$ . If temperature is higher, time should be shorter ( $+10^{\circ}\text{C} \rightarrow -1\text{sec}$ ). Power dissipation of iron should be smaller than 15 W , and temperature should be controllable. Surface temperature of the device should be under  $230^{\circ}\text{C}$ .

■ **Rework**

1. Customer must finish rework within 5 sec under  $260^{\circ}\text{C}$ .
2. The head of iron can not touch copper foil.
3. Twin-head type is preferred.





MODEL NO: 11-21UBGC/TR8

Device Number : DSE-111-037 REV. 1.0

**1206 Package Chip LEDs with Inner Lens**

ECN : \_\_\_\_\_ Page: 8/8

■ Reflow Temp / Time :

