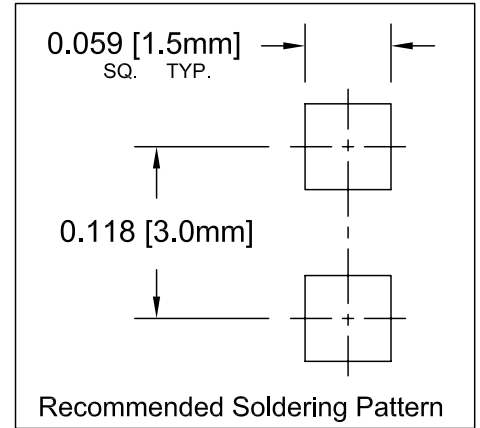
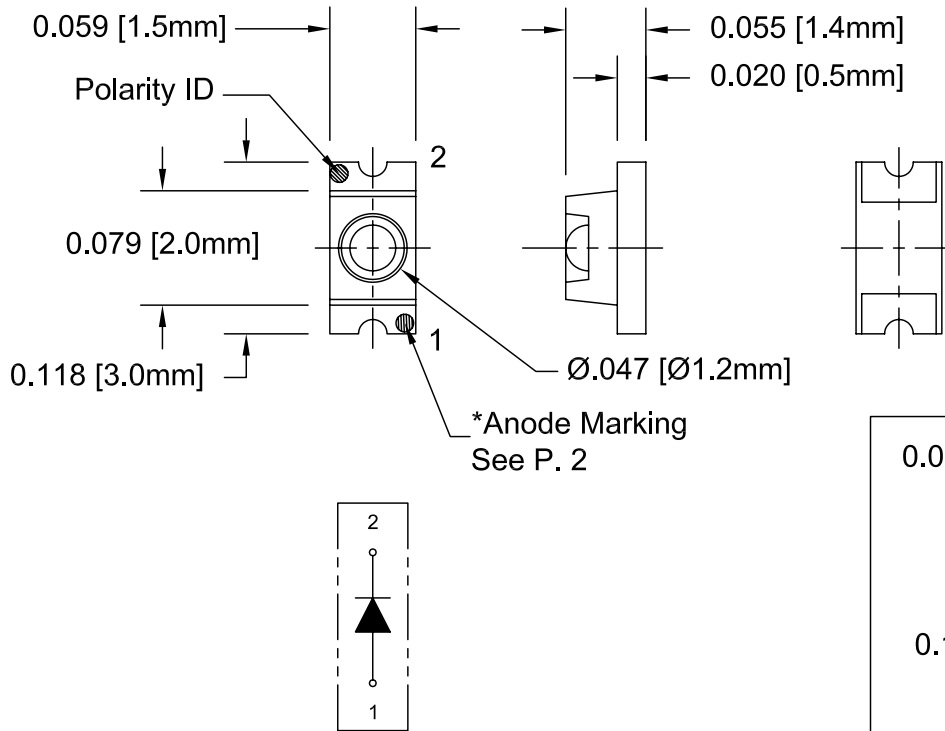


REV.	DESCRIPTION	DATE	APPROVED
C	Engineering Update w/o Changes	03/10/04	M. C.
D	Image Orientation Update w/o Changes	02/24/05	M. C.
E	TYPO Correction for SM1206BWC-IL / P.2	04/19/05	M. C.
F	Update Anode Marking for SM1206HC/SRC-IL	05/22/08	M. C.



ABSOLUTE MAXIMUM RATINGS (Ta=25°C)


REVERSE VOLTAGE	5V
REVERSE CURRENT	100µA
OPERATING TEMPERATURE RANGE	-25°C - 85°C
STORAGE TEMPERATURE	-30°C - 100°C
LEAD SOLDERING TEMPERATURE(1/16" FROM BODY)	260°C FOR 5 SECONDS

STANDARD TOLERANCE (UNLESS OTHERWISE SPECIFIED)		 4 THOMAS, IRVINE, CA, 92618 TEL: (949) 951-8808 FAX: (949) 951-3974			
DECIMALS	ANGULAR				
.X ±.1	X° ±1°	TITLE: SURFACE MOUNT LED, 1206 PACKAGE			
.XX ±.02					
.XXX ±.010		DESIGNED: David Green	DATE: 03/07/03	PART NO: SM1206XX-IL	REVISION: F
CHECKED: M. Chen		DATE: 03/07/03		CAGE CODE : 32559	SHEET # 1 OF 3
CAD GENERATED DOCUMENT. DO NOT MEASURE DRAWING.					

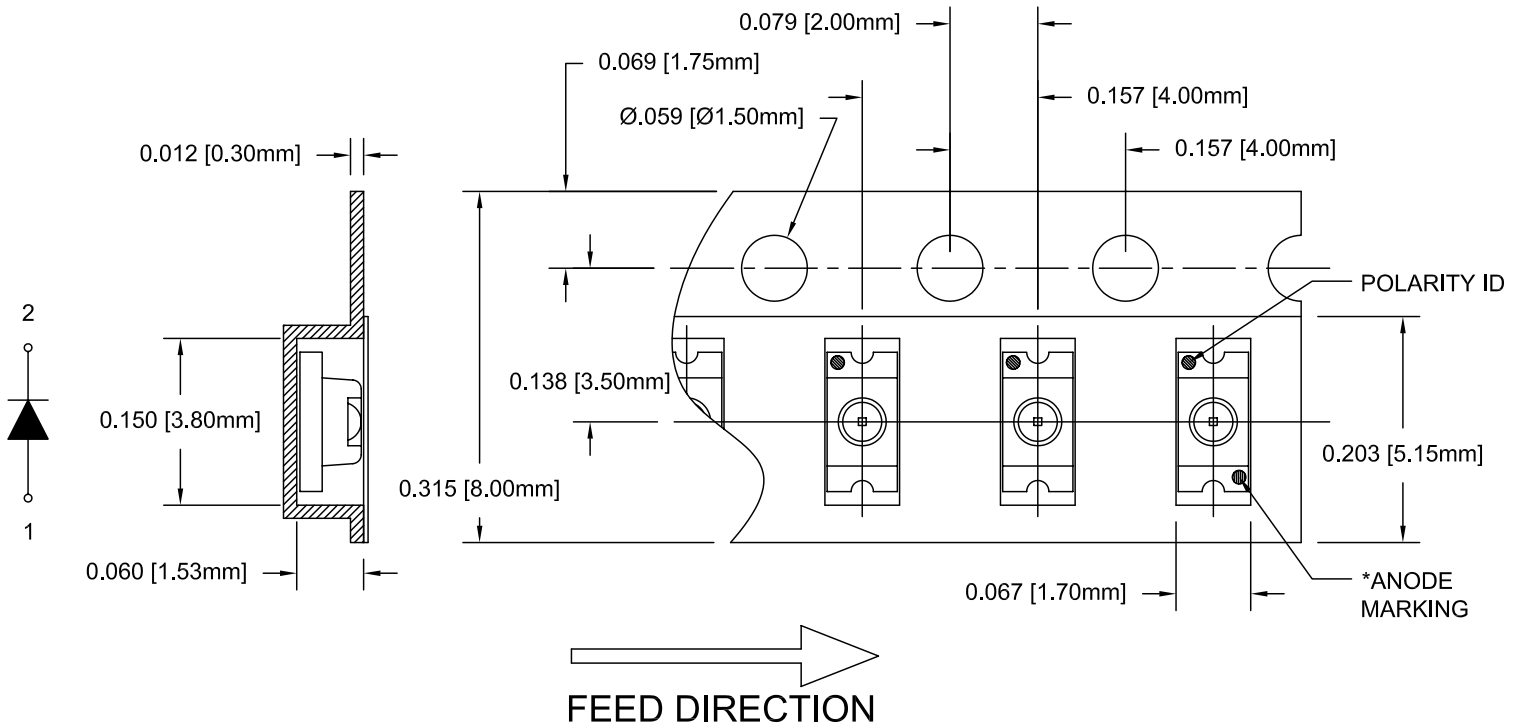
REV.	DESCRIPTION	DATE	APPROVED
	SEE SHEET#1.		

LED Part No.	Chip			Lens Appearance	Absolute Max. Ratings				Electro-Optical Data @ 20ma			Viewing Angle 2θ ½ (Deg)
	Material	Peak Wave Length λp(nm)	Emitted Color		Δλ (nm)	Pd (mW)	If (mA)	Peak If (mA)	Vf (V)		Iv (mcd)	
									TYP	MAX	TYP	
SM1206BWC-IL	InGaN/SiC	460	BLUE	WATER CLEAR	65	150	30	150	3.4	3.8	80	30
SM1206PGC-IL	GaP/GaP	555	PURE GREEN	WATER CLEAR	25	100	30	150	2.2	2.6	3	30
SM1206GC-IL	GaP/GaP	568	GREEN	WATER CLEAR	30	100	30	150	2.2	2.6	18	30
SM1206YC-IL	GaAsP/GaP	585	YELLOW	WATER CLEAR	35	100	30	150	2.1	2.6	25	30
SM1206UYC-IL	AlGaInP	588	ULTRA YELLOW	WATER CLEAR	15	100	30	150	2.0	2.6	110	30
SM1206AC-IL	GaAsP/GaP	610	AMBER	WATER CLEAR	35	100	30	150	2.0	2.6	30	30
SM1206UOC-IL	AlGaInP	620	ULTRA ORANGE	WATER CLEAR	17	100	30	150	2.0	2.6	110	30
SM1206HC-IL*	GaAsP/GaP	635	HE RED	WATER CLEAR	45	100	30	150	2.0	2.6	25	30
SM1206URC-IL	GaAlAs/GaAlAs	660	ULTRA RED	WATER CLEAR	20	80	30	150	2.0	2.6	60	30
SM1206SRC-IL*	GaAlAs/GaAs	660	SUPER RED	WATER CLEAR	20	60	30	150	1.7	2.6	50	30
SM1206RC-IL	GaP/GaP	700	RED	WATER CLEAR	90	50	15	50	2.2	2.6	6	30
SM1206UWC-IL	GaN	X=.29 Y=.30	WHITE	WATER CLEAR	--	125	30	150	3.4	4.0	180	30

*ANODE MARKING

STANDARD TOLERANCE (UNLESS OTHERWISE SPECIFIED) ±10% ALL VALUES		 BIVAR [®] 4 THOMAS, IRVINE, CA, 92618 TEL: (949) 951-8808 FAX: (949) 951-3974	
ANGULAR X° ± 5°		TITLE: SURFACE MOUNT LED, 1206 PACKAGE	
DESIGNED: David Green	DATE: 03/07/03	PART NO: SM1206XX-IL	REVISION: F
CHECKED: M. Chen	DATE: 03/07/03	CAGE CODE : 32559	SHEET # 2 OF 3
CAD GENERATED DOCUMENT, DO NOT MEASURE DRAWING.			

REV.	DESCRIPTION	DATE	APPROVED
	SEE SHEET#1.		



2. UNLESS OTHERWISE SPECIFIED,
PACKAGING TO COMPLY WITH EIA-481-B
1. 3000 pcs PER REEL

STANDARD TOLERANCE (UNLESS OTHERWISE SPECIFIED) ±10% ALL VALUES		 4 THOMAS, IRVINE, CA, 92618 TEL: (949) 951-8808 FAX: (949) 951-3974	
		TITLE: SURFACE MOUNT LED, 1206 PACKAGE	
DESIGNED: David Green	DATE: 03/07/03	PART NO: SM1206 PACKAGE	REVISION: F
CHECKED: M. Chen	DATE: 03/07/03	CAGE CODE : 32559	SHEET # 3 OF 3
CAD GENERATED DOCUMENT, DO NOT MEASURE DRAWING.			