



ELECTRONICS, INC.
 44 FARRAND STREET
 BLOOMFIELD, NJ 07003
 (973) 748-5089
<http://www.nteinc.com>

NTE3056 thru NTE3059 0.3" Single Digit Numeric Display, Seven Segment, Common Cathode

Description:

The NTE3056 through NTE3059 are 0.3 inch (7.62mm) height single digit, seven segment, common cathode displays. The NTE3056 and NTE3057 utilize LED chips which are made from GaAsP on a GaAs substrate. The NTE3058 utilizes LED chips which are made from GaAsP on a transparent GaP substrate. The NTE3059 utilizes LED chips which are made from GaP on a transparent GaP substrate.

Features:

- 0.3 Inch (7.62mm) Digit Height
- Choice of Four Bright Colors:
 - Super Red NTE3056
 - Red - NTE3057
 - Orange - NTE3058
 - Green - NTE3059
- Low Power Requirement
- Excellent Characters Appearance
- Categorized for Luminous Intensity
- IC Compatible
- Easy Mounting on PC Board or Sockets

Absolute Maximum Ratings: ($T_A = +25^\circ\text{C}$ unless otherwise specified)

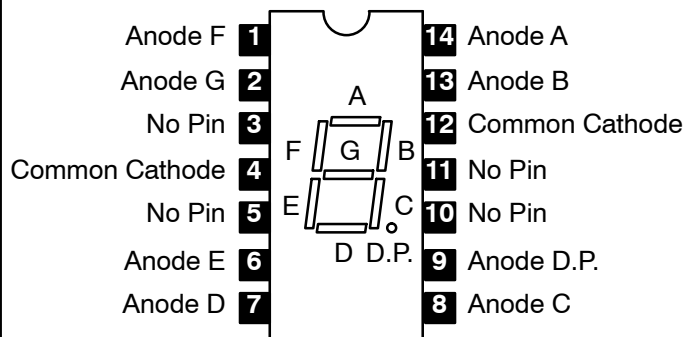
Power Dissipation (Per Segment), P_T	
NTE3056, NTE3057	100mW
NTE3058, NTE3059	75mW
Peak Forward Current (Per Segment, 1/10 Duty Cycle, 0.1ms Pulse Width), I_{Fpeak}	100mA
Continuous Forward Current (Per Segment), I_F	
NTE3056, NTE3057	40mA
NTE3058, NTE3059	25mA
Derate Linearly from 25°C (Per Segment)	
NTE3056, NTE3057	0.40mA/°C
NTE3058, NTE3059	0.30mA/°C
Reverse Voltage (Per Segment), V_R	5V
Operating Temperature Range, T_{opr}	
NTE3056, NTE3057	-40° to +80°C
All Other Devices	-25° to +85°C
Storage Temperature Range, T_{stg}	
NTE3056, NTE3057	-40° to +80°C
All Other Devices	-25° to +85°C
Lead Temperature (During Solder, 1/16" Below Seating Plane, 3sec max), T_L	+260°C

Electrical/Optical Characteristics: ($T_A = +25^\circ\text{C}$ unless otherwise specified)

Parameter	Symbol	Test Conditions	Min	Typ	Max	Unit
Average Luminous Intensity NTE3056, NTE3057	I_V	$I_F = 20\text{mA}$	-	10.5	14	mcd
NTE3058, NTE3059	I_V	$I_F = 10\text{mA}$	800	2000	-	μcd
Peak Emission Wavelength NTE3056, NTE3057	λ_P	$I_F = 20\text{mA}$	655	660	665	nm
NTE3058			-	630	-	nm
NTE3059			-	565	-	nm
Spectral Line Half-Width NTE3056, NTE3057	$\Delta\lambda$	$I_F = 20\text{mA}$	19	24	29	nm
NTE3058			-	40	-	nm
NTE3059			-	30	-	nm
Forward Voltage, Any Segment or D.P. NTE3056, NTE3057	V_F	$I_F = 20\text{mA}$	1.6	1.85	2.4	V
NTE3058, NTE3059			-	2.1	2.8	V
Reverse Current, Any Segment or D.P. All Devices	I_R	$V_R = 5\text{V}$	-	-	100	μA
Luminous Intensity Matching Ratio All Devices EXCEPT NTE3056	I_{V-m}	$I_F = 20\text{mA}$	-	-	2:1	

Pin Connection Diagram

NTE3056, NTE3058, NTE3059



NTE3057

