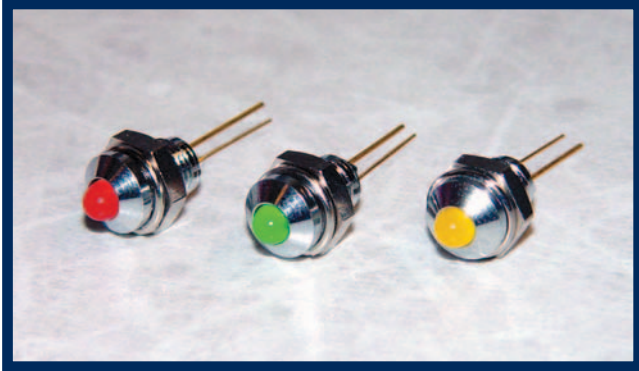




# 605 Series LED Panel Mount Indicators for 5mm Mounting Hole



## FEATURES / BENEFITS

- ▲ Long Life - typically 100K hours
- ▲ Low power consumption - uses up to 90% less energy than an incandescent indicator
- ▲ No heat generated
- ▲ Colors include red, green and yellow
- ▲ Front panel mounting
- ▲ LED can be recessed or protrude from housing

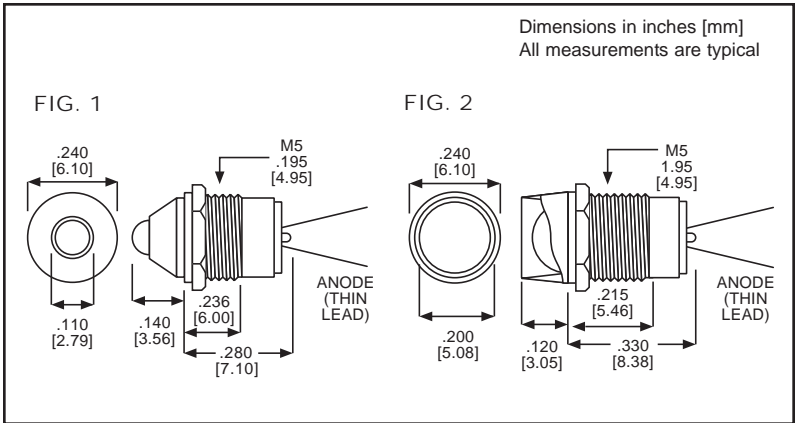
## APPLICATIONS

Dialight's 600 series of metric indicators are designed for a variety of applications such as:

- Main and remote power indication
- Status Indication
- Maintenance and warning indication
- Instrumentation
- ... and many more!

## SPECIFICATIONS

- ▲ Voltage requirements: 2 VDC  
(current limiting resistor required)
- ▲ Electrical connection through leads
- ▲ Mounting hole size: 0.209 inches (5.3 mm)
- ▲ Maximum panel thickness: 0.138 inches (3.5 mm)
- ▲ Mounts with lock washer and nut  
(0.145 lbs/ft or 2 Kg/cm torque recommended)
- ▲ Operating Temperature : -25°C to +85°C
- ▲ Storage Temperature: -25°C to +100°C
- ▲ Housing Material: Chrome plated brass



Part Number	Color	Voltage (VDC)	Current (mA)	Typ. Intensity (mcd)	LED Positions	Finish	Figure
605-1111-110	Red	2	15	37	Protruding	Chrome	1
605-1211-110	Green	2	15	16	Protruding	Chrome	1
605-1311-110	Yellow	2	15	30	Protruding	Chrome	1
605-2111-110	Red	2	15	37	Recess	Chrome	2
605-2211-110	Green	2	15	16	Recess	Chrome	2
605-2311-110	Yellow	2	15	30	Recess	Chrome	2

Dialight reserves the right to make changes at any time in order to supply the best product possible.



**Dialight Corporation**  
1501 Route 34 South • Farmingdale, NJ 07722 USA  
Tel: (1) 732-919-3119 • Fax: (1) 732-751-5778 • www.dialight.com



MDEL605X001\_A