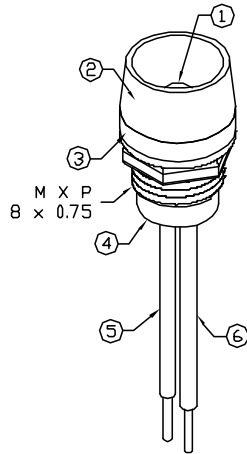
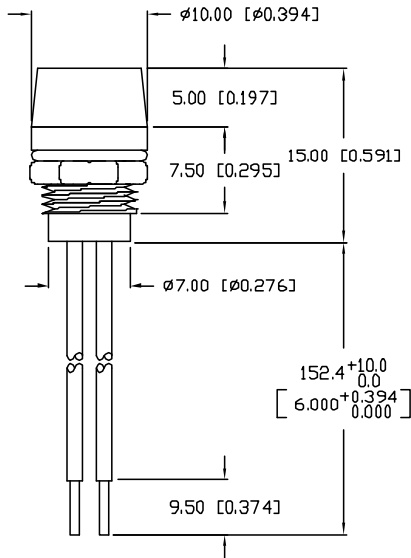


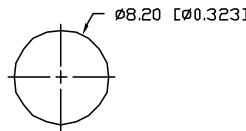
UNCONTROLLED DOCUMENT



NOTES:

1. SSL-LX5063YD, YELLOW LED. TRIM LEADS TO 5mm.
2. SSI-LXR4815, CHROME HOUSING.
3. LXP-WA-3816, RUBBER GASKET.
4. SSH-LX44815B5G, BLACK NYLON BUSHING. (NOT SEEN)
5. ANODE LEAD: LXP-WST24RDT0C, RED INSULATION, CUT 160mm LONG, STRIP 2.0mm & 9.5mm.
6. CATHODE LEAD: LXP-WST24BLT0C, BLACK INSULATION, CUT 160mm LONG, STRIP 2.0mm & 9.5mm.
7. THREAD LEADS THROUGH BUSHING, INSERT INTO HOUSING, BACKFILL WITH SILICON ADHESIVE, INSERT BUSHING INTO HOUSING. CRIMP INTO PLACE.
8. WATER RESISTANT PER NEMA STANDARD 250, SECTION 6.7.

PANEL CUTOUT



*UNLESS OTHERWISE SPECIFIED TOLERANCES PER DECIMAL PRECISION ARE: X=±1 (±0.039), XX=±0.5 (±0.020), XXX=±0.25 (±0.010), XXXX=±0.127 (±0.005). LEAD SIZE=±0.05 (±0.002), LEAD LENGTH=±0.75 (±0.030). MIN.= +DECIMAL PRECISION -0.00, MAX.= +0.00 -DECIMAL PRECISION

PART NUMBER
SSI-LXR4815YD150WR

REV.
B

| REV. | E.C.N. NUMBER AND REVISION COMMENTS | DATE |
|------|-------------------------------------|----------|
| A | E.C.N. #10674. | 10.30.00 |
| B | E.C.N. #10BRDR. & REDRAWN IN 3D. | 11.20.01 |

| ELECTRO-OPTICAL CHARACTERISTICS $T_A=25^\circ\text{C}$ $I_f=20\text{mA}$ | | | | | |
|--|-----------------|-----|-----|----------|----------------------|
| PARAMETER | MIN | TYP | MAX | UNITS | TEST COND |
| PEAK WAVELENGTH | | 585 | | nm | |
| FORWARD VOLTAGE | | 2.1 | 2.5 | V_f | |
| REVERSE VOLTAGE | 5.0 | | | V_r | $I_f=100\mu\text{A}$ |
| AXIAL INTENSITY | | 20 | | mcd | $I_f=20\text{mA}$ |
| VIEWING ANGLE | | 60 | | 2x theta | |
| EMITTED COLOR: | YELLOW | | | | |
| EPOXY LENS FINISH: | YELLOW DIFFUSED | | | | |

LIMITS OF SAFE OPERATION AT 25°C

| PARAMETER | MAX | UNITS |
|--------------------------------|------------|----------------------------|
| PEAK FORWARD CURRENT* | 150 | mA |
| STEADY CURRENT | 30 | mA |
| POWER DISSIPATION | 105 | mW |
| DERATE FROM 25°C | -1.2 | $\text{mW}/^\circ\text{C}$ |
| OPERATING, STORAGE TEMP. | -40 TO +85 | $^\circ\text{C}$ |

* $t < 10\mu\text{s}$

UNCONTROLLED DOCUMENT

| REV. | PART NUMBER |
|--|--------------------|
| B | SSI-LXR4815YD150WR |
| T-5mm 585nm YELLOW LED PANEL INDICATOR LED, YELLOW DIFFUSED LENS, 6" WIRE LEADS, SPLASH RESISTANT. | |

CONFIDENTIAL INFORMATION
THE INFORMATION CONTAINED IN THIS DOCUMENT IS THE PROPERTY OF LUMEX INC. EXCEPT AS SPECIFICALLY AUTHORIZED IN WRITING BY LUMEX INC., THE HOLDER OF THIS DOCUMENT SHALL KEEP ALL INFORMATION CONTAINED HEREIN CONFIDENTIAL AND SHALL PROTECT SAME IN WHOLE OR IN PART FROM DISCLOSURE AND DISSEMINATION TO ALL THIRD PARTIES.

RELIABILITY NOTE
OUR MANY YEARS OF EXPERIENCE DATA ACCUMULATION INDICATE THAT SOLDER HEAT IS A MAJOR CAUSE OF EARLY AND FUTURE FAILURE. PLEASE PAY ATTENTION TO YOUR SOLDERING PROCESS.



290 E. HELEN ROAD
PALATINE, IL 60067-6976
PHONE: +1.847.359.2790
US WEB: www.lumex.com
TW WEB: www.lumex.com.tw

| | | | |
|-----------------|-------------|--------------|--------------|
| DRAWN BY: BC | CHECKED BY: | APPROVED BY: | DATE: 8.7.00 |
| | | | PAGE: 1 OF 1 |
| | | | SCALE: N/A |