

UNCONTROLLED DOCUMENT

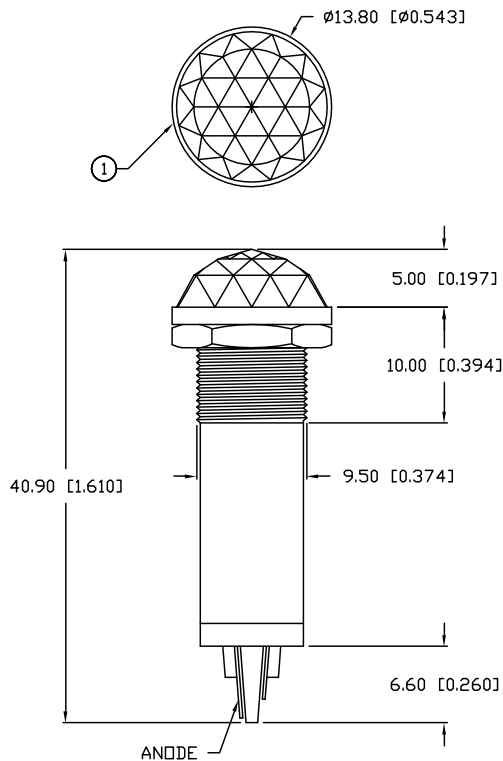
SC:0.50

PART NUMBER

REV.

SSI-LXN730GD-14V

PRELIMINARY IN P/N DIR



ELECTRO-OPTICAL CHARACTERISTICS $T_A=25^{\circ}\text{C}$ $V_f=14\text{V}$

| PARAMETER | MIN | TYP | MAX | UNITS | TEST COND |
|--------------------|----------------|-----|-----|----------|----------------------|
| PEAK WAVELENGTH | | 565 | | nm | |
| FORWARD VOLTAGE | | 14 | 16 | V_f | |
| REVERSE VOLTAGE | 5.0 | | | V_r | $I_f=100\mu\text{A}$ |
| AXIAL INTENSITY | | 10 | | mcd | $V_f=14\text{V}$ |
| VIEWING ANGLE | | 140 | | 2x theta | |
| EMITTED COLOR: | GREEN | | | | |
| EPOXY LENS FINISH: | GREEN DIFFUSED | | | | |

LIMITS OF SAFE OPERATION AT 25°C

| PARAMETER | MAX | UNITS |
|----------------------------------|------------|------------------------|
| PEAK FORWARD VOLTAGE | 14 | V |
| STEADY CURRENT | 11 | mA |
| POWER DISSIPATION | 310 | mW |
| DERATE FROM 25°C | -1.2 | mW/ $^{\circ}\text{C}$ |
| OPERATING, STORAGE TEMP. | -40 TO +85 | $^{\circ}\text{C}$ |

NOTES:

- SSI-LXN730G HOUSING & BUSHING KIT.
HOUSING MATERIAL: ACRYLIC. BUSHING MATERIAL: PHENOLIC.
- SSL-LX5093GT OR SSL-LX5093GC.
- LXP-RES 670 1/2W RESISTOR CUT ON ONE SIDE TO 5mm AND OTHER TO 12mm MIN., CRIMP 5mm RESISTOR LEAD TO 5mm LED LEAD.
- BOND LED BASE AND LENS WITH LOCITE #454 OR EQUIVALENT.

UNCONTROLLED DOCUMENT

*UNLESS OTHERWISE SPECIFIED TOLERANCES PER DECIMAL PRECISION ARE: X=±1 (±0.039), X.X=±0.5 (±0.020), X.XX=±0.25 (±0.010), X.XXX=±0.127 (±0.005). LEAD SIZE=±0.05 (±0.002), LEAD LENGTH=±0.75 (±0.030). MIN= -0.00 DECIMAL PRECISION MAX= +0.00 -DECIMAL PRECISION

| | |
|------|---------------------------------|
| REV. | PART NUMBER SSI-LXN730GD-14V |
|------|---------------------------------|

CONFIDENTIAL INFORMATION
THE INFORMATION CONTAINED IN THIS DOCUMENT IS THE PROPERTY OF LUMEX INC. EXCEPT AS SPECIFICALLY AUTHORIZED IN WRITING BY LUMEX INC., THE HOLDER OF THIS DOCUMENT SHALL KEEP ALL INFORMATION CONTAINED HEREIN CONFIDENTIAL AND SHALL PROTECT SAME IN WHOLE OR IN PART FROM DISCLOSURE AND DISSEMINATION TO ALL THIRD PARTIES.



290 E. HELEN ROAD
PALATINE, IL 60067-6976
PHONE: +1.847.359.2790
US WEB: www.lumex.com
TW WEB: www.lumex.com.tw

T-13 565nm GREEN LED PANEL INDICATOR,
GREEN DIFFUSED, DIAMOND CUT LENS, 14 VOLTS.

RELIABILITY NOTE
OUR MANY YEARS OF EXPERIENCE DATA ACCUMULATION INDICATE THAT SOLDER HEAT IS A MAJOR CAUSE OF EARLY AND FUTURE FAILURE. PLEASE PAY ATTENTION TO YOUR SOLDERING PROCESS.

DRAWN BY:
BC

CHECKED BY:

APPROVED BY:

DATE: 2.25.02
PAGE: 1 OF 1
SCALE: N/A